

archlit reserves the right to make changes without prior notice. (02.01.2024)

AnCar 5 Recessed, extruded aluminum minimal design lighting fixture with remote drivers (max 60' from fixture).

AnCar 5 Recessed powder coated finish with even illumination at highest lumen output. 960 lumens delivered per foot, 12 w/foot. Dimmable and non dimmable. Designed for drywall trimless or trim. Lighting module width 5.25".

Trim and Trimless versions. Possible runs. Horizontal and / or vertical.

Design with absolute freedom, height is std drywall. For installation of frames, frame brackets position are adaptable at the field to solve studs interference. Lighting modules installed with magnets

AnCar5

AnCar 5 Recessed

AnCar5 -

Lumen Output

- 30HO - 3000 K 960 lumens / ft 12 w /ft
- 30 - 3000 K 640 lumens / ft 6 w /ft
- 35HO - 3500 K 960 lumens / ft 12 w /ft
- 35 - 3500 K 640 lumens / ft 6 w /ft
- 40HO - 4000 K 960 lumens / ft 12 w /ft
- 40 - 4000 K 640 lumens / ft 6 w /ft

Finish

- WH - White
 - BK - Black
 - CU - Custom Specify RAL color
- set up charges apply

Dimming

- 4 - Dimmable 0-10v (4wires, 120 or 277 v)
- 1 - Non Dimmable 277v
- 0 - Non Dimmable 120v

Flange

- Ts - Trimless
- Tm - Trim

Runs

- B - 2' nominal 23 3/8" LED module
- C - 3' nominal 35 3/8" LED module
- D - 4' nominal 47 3/8" LED module
- E - 5' nominal 59 3/8" LED module
- F - 6' nominal 71 3/8" LED module
- G - 7' nominal 83 3/8" LED module
- H - 8' nominal 95 3/8" LED module
- Total Run: (0 ft 0 in)



Emergency

00 - No Emergency

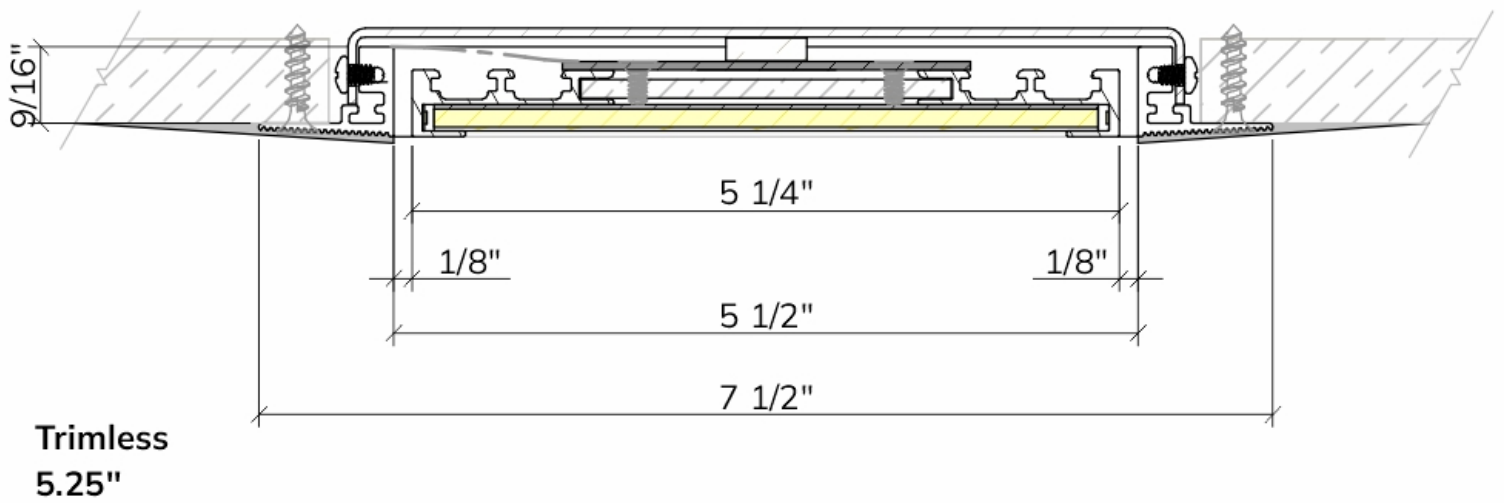
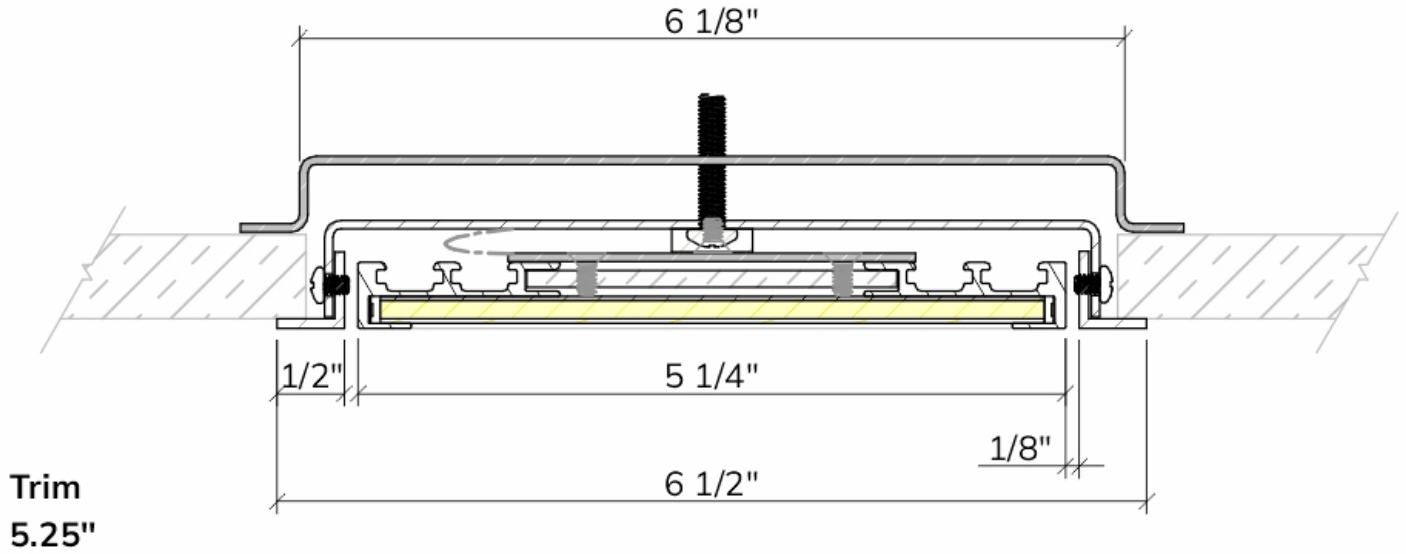
EM - Emergency module max. 4'

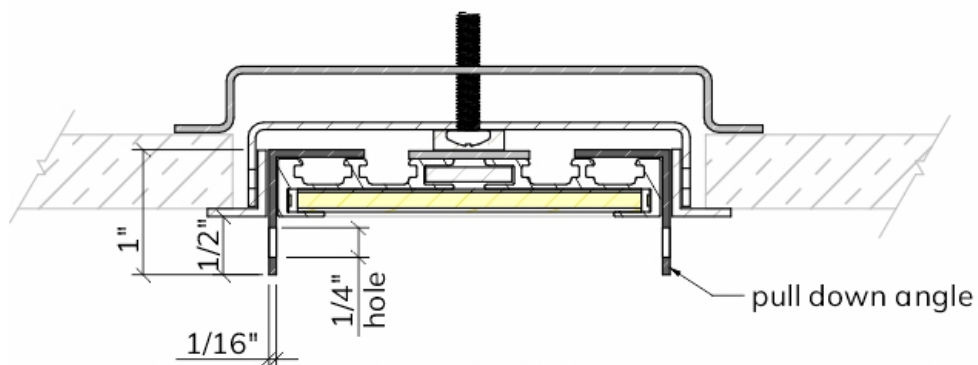
Notes:

Drivers are Remote. max segment length 8'

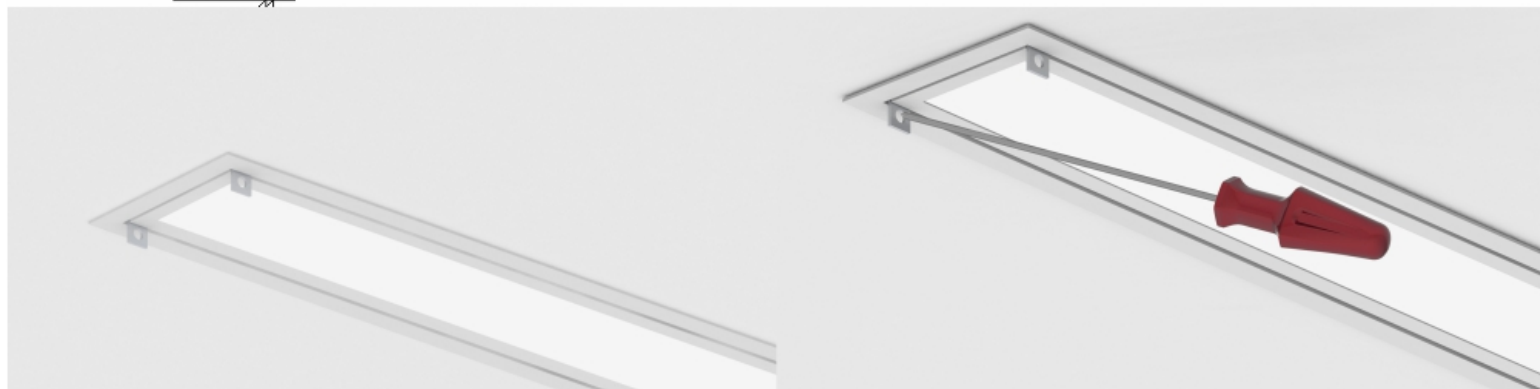
Max distance to drivers 60'

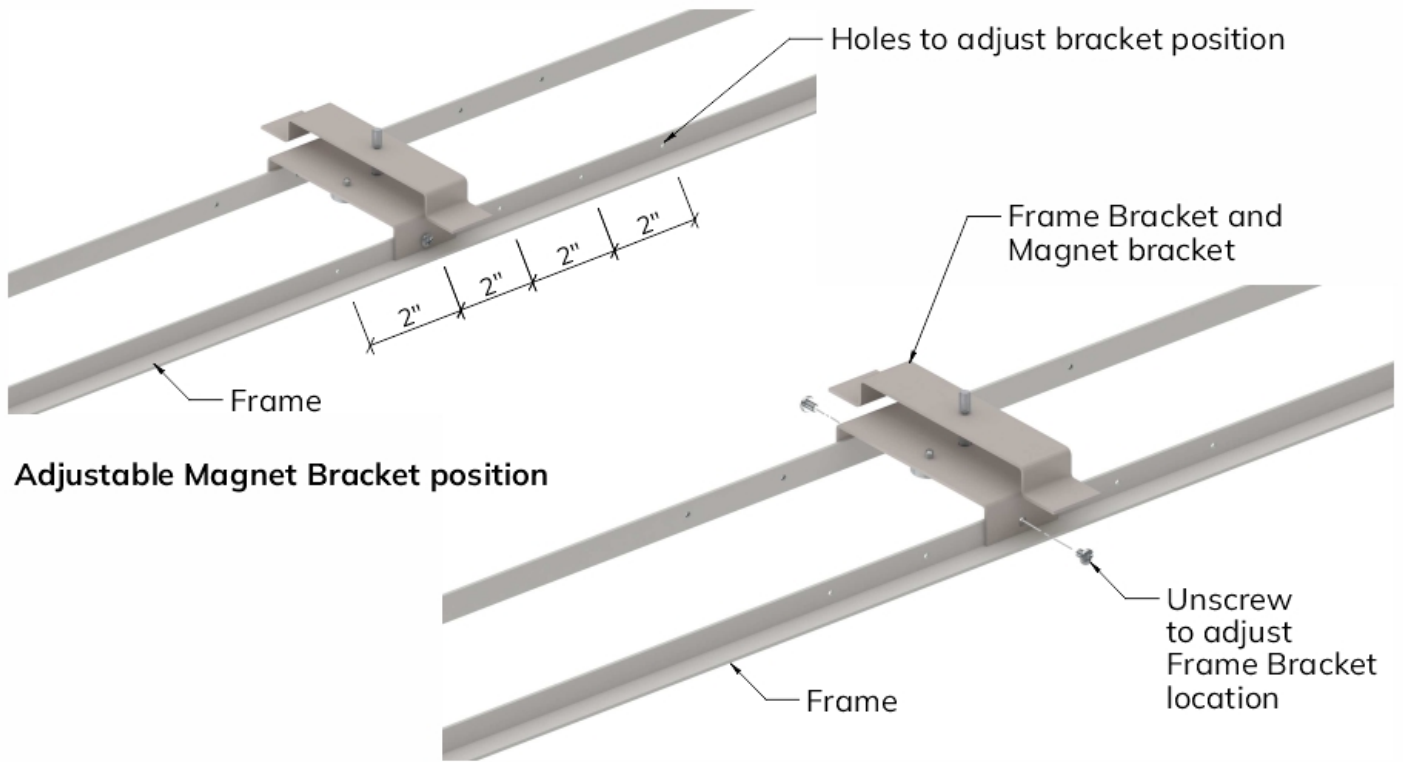
CRI more than 90. McAdam 3 bin



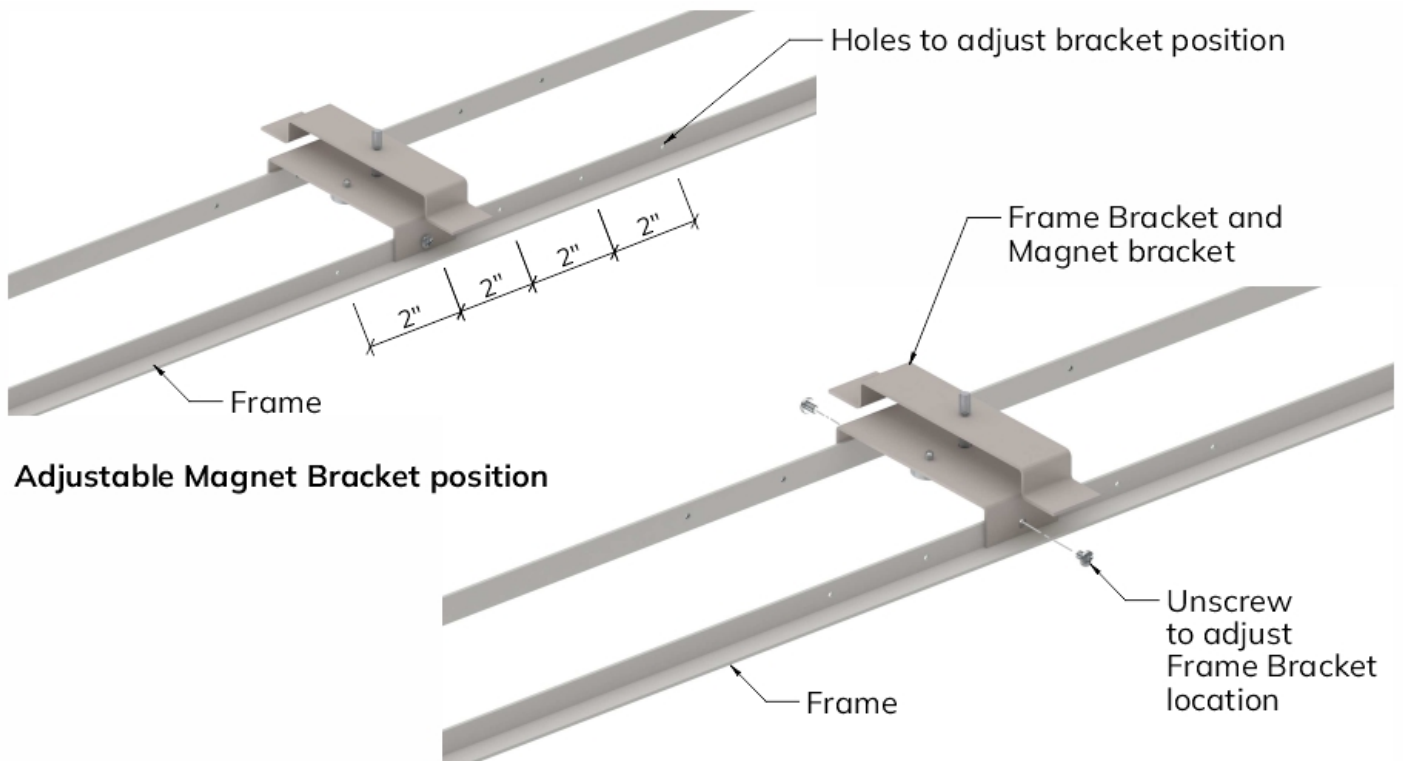


Uninstalling Module by pulling Angles



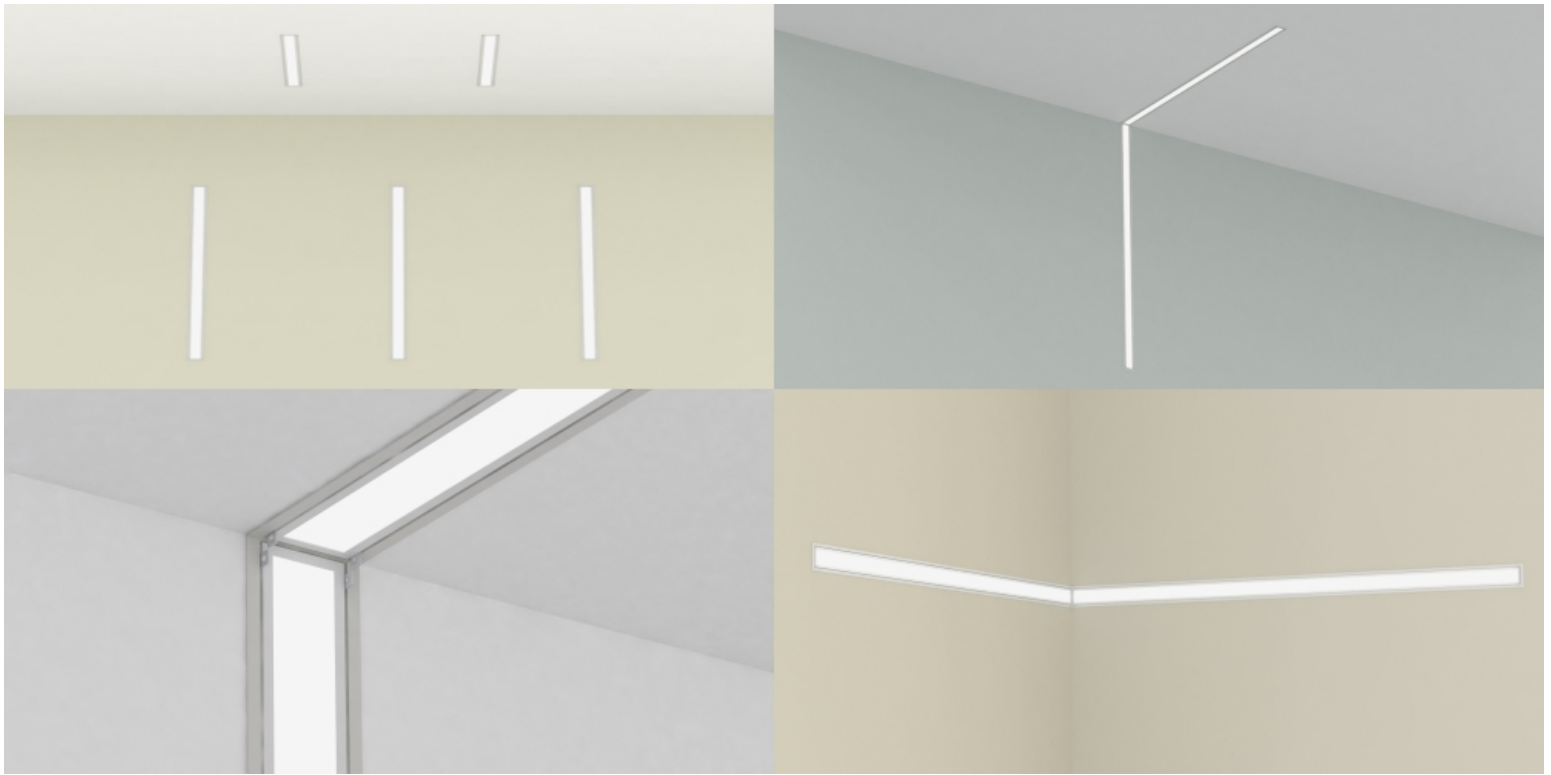


Adjustable Magnet Bracket position

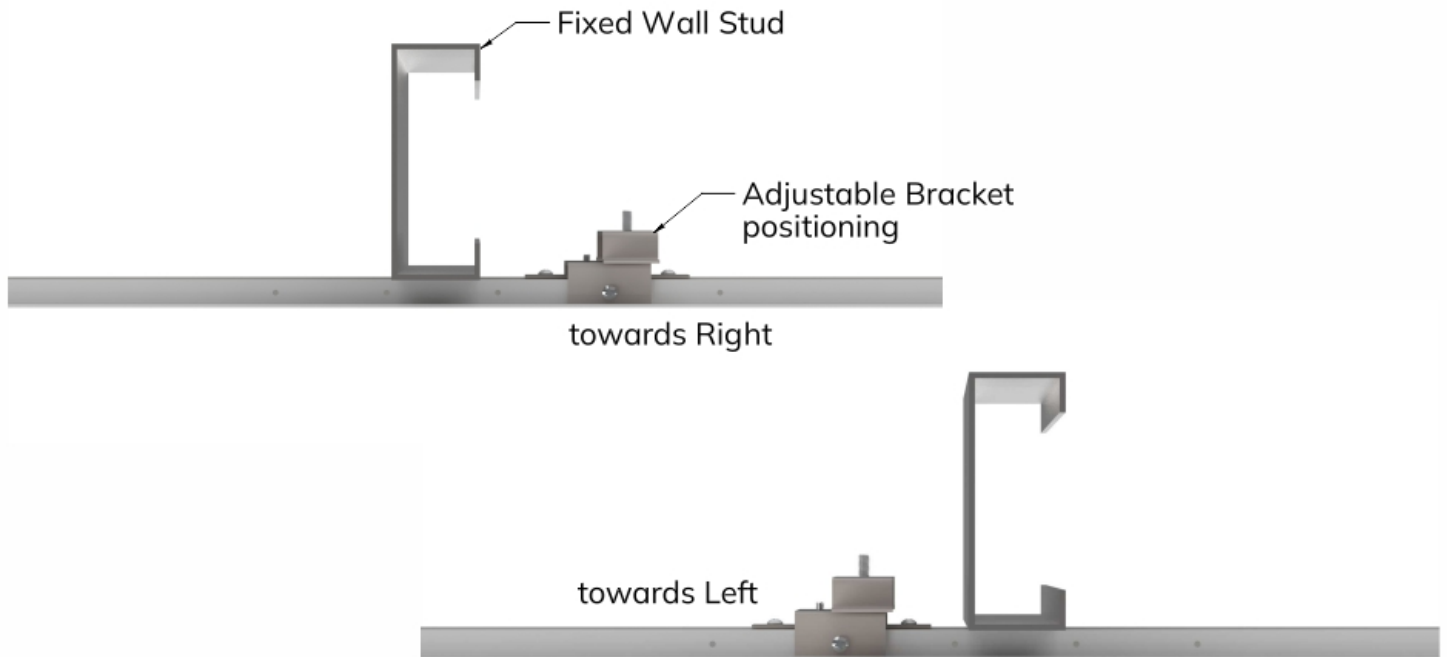


Adjustable Magnet Bracket position





Adjustable Magnet Bracket position





Driver Boxes

