

archlit reserves the right to make changes without prior notice. (01.03.2018)

LeeSti Ceiwall LED 1"x 1" section in extruded aluminum. With diffusing film. Drivers are remote and can be dimmable (0-10v -4 wires- for central dimmer systems or Triac -2 wires- for standard dimmers). 12.5 w per foot in 2700K or 3000K. Remote drivers at 100' max from the fixture. Max length of 4' for non dimmable or 0-10v dimmer. 4' for Triac version requires 2 drivers.

LECW

LeeSti Ceiling Wall

Lumen Output

3017 - 3000 K 1200 lumens / ft 12 w /ft

3014 - 3000 K 1000 lumens / ft 10 w /ft

3011 - 3000 K 780 lumens / ft 7.5 w /ft

3008 - 3000 K 560 lumens / ft 5.5w /ft

3005 - 3000 K 350 lumens / ft 3.1 w /ft

3517 - 3500 K 1200 lumens / ft 12 w /ft

3514 - 3500 K 1000 lumens / ft 10 w /ft

3511 - 3500 K 780 lumens / ft 7.5 w /ft

3508 - 3500 K 560 lumens / ft 5.5w /ft

3505 - 3500 K 350 lumens / ft 3.1 w /ft

WhTu - White tuning 2700K @ 1050 lumens/foot

and 6500k @1200 lumens/foot 12.5 watt/foot

All Uplight versions with light will have a transparent diffuser

Use of programmable drivers allow different outputs (lumen output and load) to fix color temperature versions

Finish

WH - White

BK - Black

CU - Custom Color

Specify RAL color

Dimming

O - Non dimmable 120v

1 - Non dimmable 277v

4 - Dim 0-10v (4 wires, 120/277v)

Dimmable TRIAC (2 wires, max 25w, 120v) requires more drivers if run is bigger than 2'



Runs

- A - 1' nominal module 12.5w 13"
- B - 2' nominal module 25w 24 1/8"
- C - 3' module 37.5 w nominal 35 1/2"
- D - 4' nominal module 50w 46 1/2"

Total Run: (0 ft 0 in)

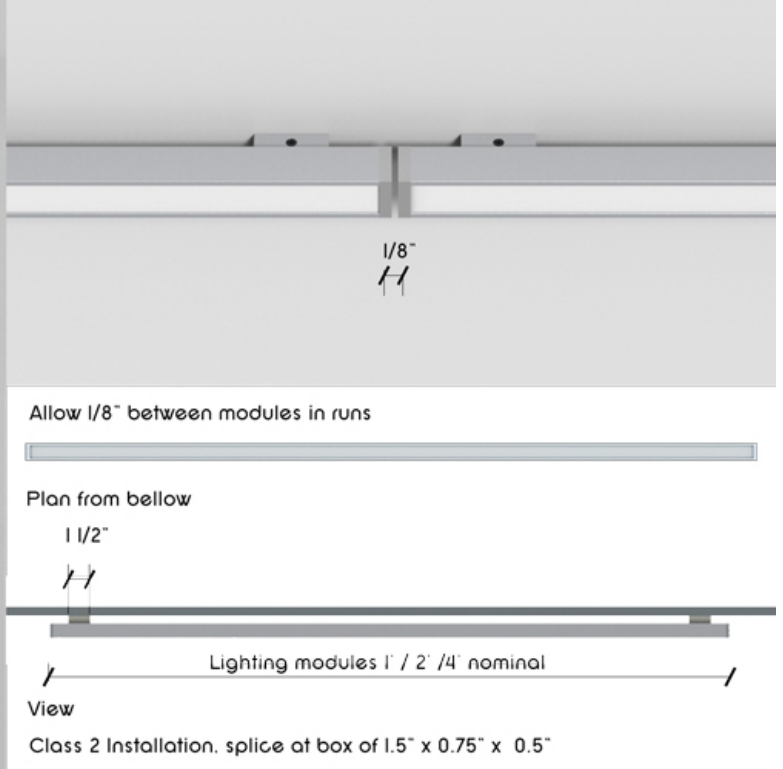
Allow 1/8" between modules

Emergency

- 00 - No emergency
- EM - Emergency module max 24"
- If 4' has 2' with emergency and 2' without it, will have (2) drivers and(1) emergency package Example of 4' with only 2' in emergency, spec: E (2) Example of 4' with all in emergency,

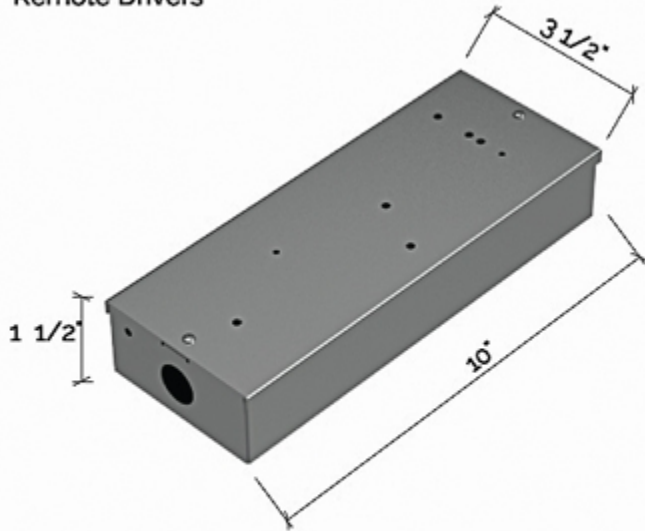
Notes:

- Drivers are remote
- max distance to drivers 100'
- Class 2 Installation

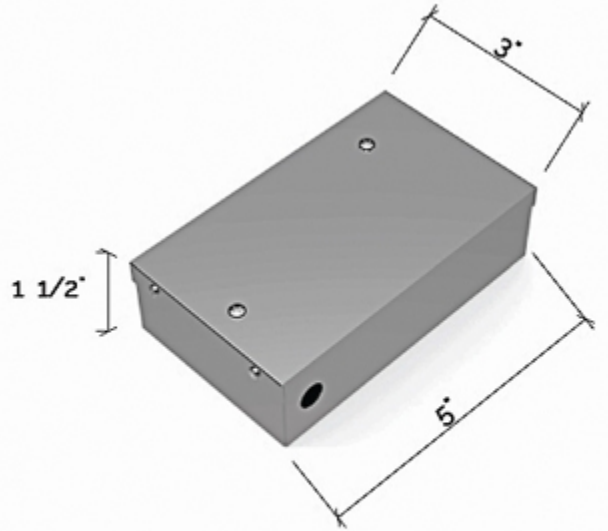




Remote Drivers



Driver Box for Dimm 0-10v
NTS



Driver Box Non Dimm and TRIAC drivers
NTS

