

archlit reserves the right to make changes without prior notice. (11.10.2021)

LeeSti Click Close is a lighting system in aluminum extrusion with proprietary LED boards. With diffuser including special film that hides the dots of the LED boards. Programmable drivers allow the use of special output. Levels are suggested ones for covering a huge spectrum.

The use of magnets and special attachments for grid ceiling structures allows design freedom allowing the designer for non standard compositions and later flexible locations of lighting sources.

A special kit for drywall ceilings will allow to use the system in this kind of ceilings

LeClicCl

LeeSti Click Close

Lumen Output

3017 - 3000 K 1200 lumens / ft 12 w /ft

3014 - 3000 K 1000 lumens / ft 10 w /ft

3011 - 3000 K 780 lumens / ft 7.5 w /ft

3008 - 3000 K 560 lumens / ft 5.5w /ft

3005 - 3000 K 350 lumens / ft 3.1 w /ft

3517 - 3500 K 1200 lumens / ft 12 w /ft

3514 - 3500 K 1000 lumens / ft 10 w /ft

3511 - 3500 K 780 lumens / ft 7.5 w /ft

3508 - 3500 K 560 lumens / ft 5.5w /ft

3505 - 3500 K 350 lumens / ft 3.1 w /ft

WhTu - White tuning 835 lumen/foot 2700 to 6500

k 22 watt/foot

All Uplight versions with light will have a transparent diffuser

Use of programmable drivers allow different outputs (lumen output and load) to fix color temperature versions

Finish

WH - White

BK - Black

CU - Custom Color

Specify RAL color

Dimming

O - Non dimmable 120v

1 - Non dimmable 277v

4 - Dimmable 0-10v (4wires, 120 or 277 v)

Runs

- A - 1' nominal 11 5/8"
- B - 2' nominal 23 7/8"
- C - 3' nominal 35 5/8"
- D - 4' nominal 47 7/8"
- E - 5' nominal 59 5/8"
- F - 6' nominal 71 7/8"
- G - 7' nominal 83 5/8"
- H - 8' nominal 95 7/8"

Total Run: (0 ft 0 in)

Extrusions max length is 8' nominal

Product can be adjust from nominal sizes in multiples of 1.5".

Factory will produce submittals

archlit recommends 4' max for transport

In large runs we suggest 1/8" between modules

Runs are segments

Up to 4' nominal (2) magnets

5' to 8' nominal (3) magnets

Ceiling Grid

916Tbr - 9/16" Grid T-Bar

1516Tbr - 15/16" Grid T-Bar

Dryk - Drywall Kit

Drywall kit needs a whip at the lighting module, specify length of 3', 4' or 9' or Custom length to get to driver remote Sample Dryk (9')

Tile

TSq - Square

TTr - Tegular

TTran - Angle Tegular

Covers for Feed and Aircraft Ccable

Ucon - U channel Continuous

Useg - U channel Segments

Segments 1" length

Lcon - L Cover Continuous

Lseg - L Cover Segments

Segments 1" length

Feed and security Covers Continuous or in segments of

Emergency

00 - No Emergency

EM - Emergency

Specify qty only if Emergency

Specify quantity of 4' nominal runs in runs

Notes:

Drivers remote

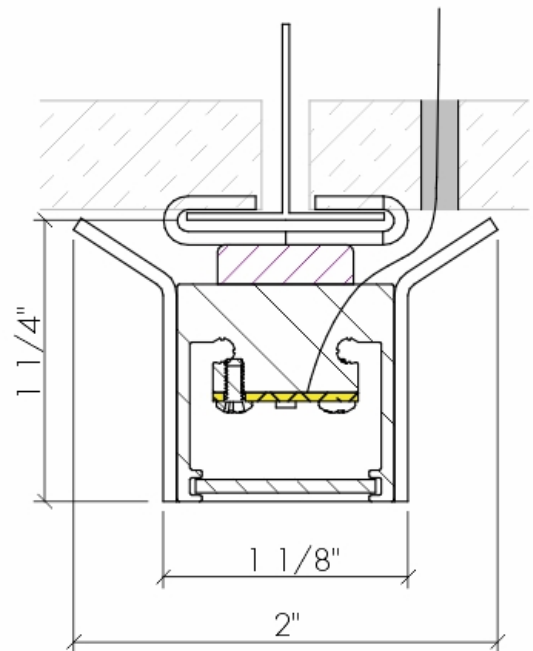
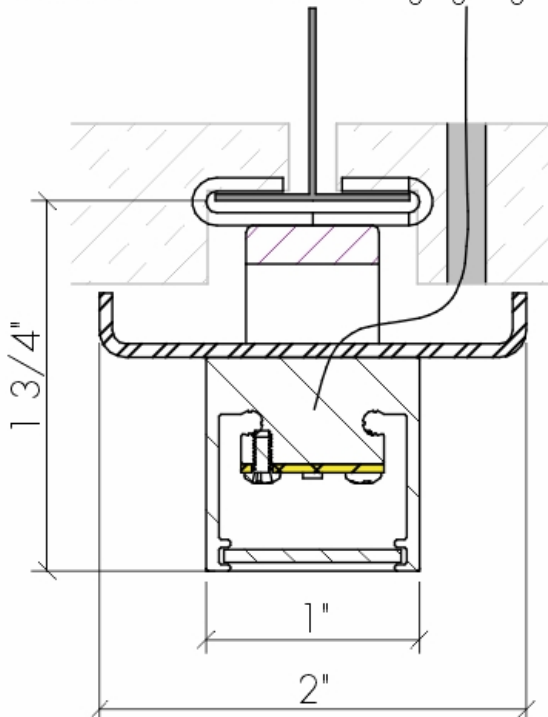
Max distance to drivers 80'

McAdam 3

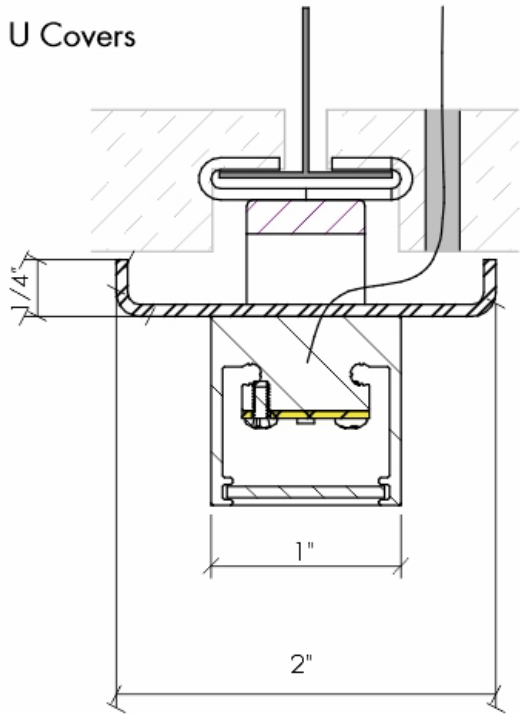
CRI >90

LeeSti Click Close

Grid Ceiling Lighting Fxtures for different tile Options with different Cover designs

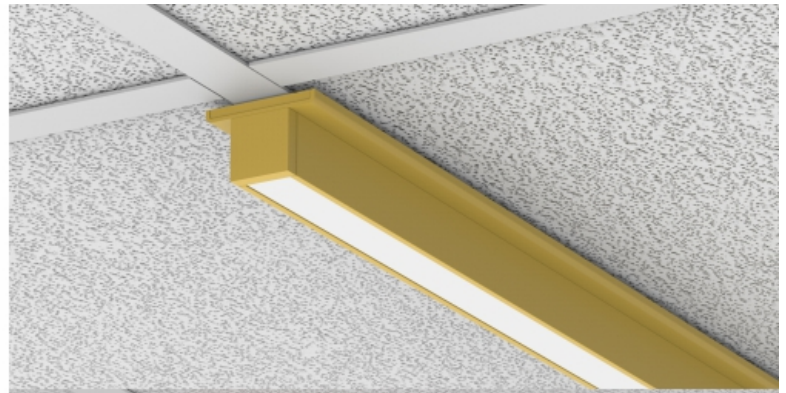


U Covers



Continuous

Ucon

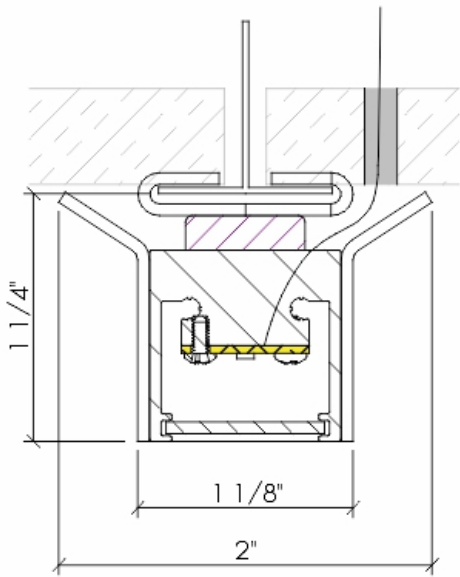


Segments

Useg
(1"length)

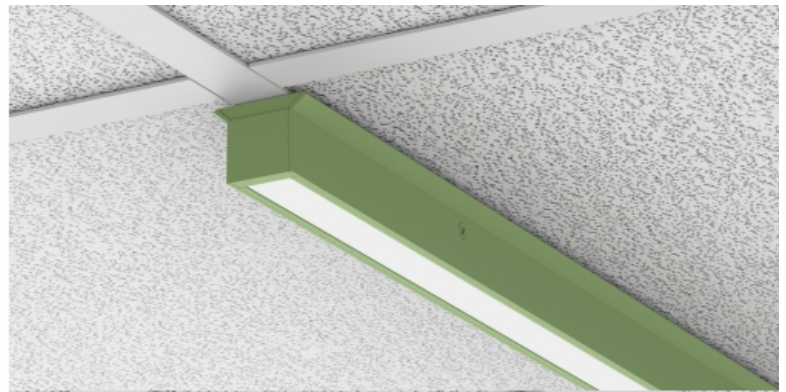


L Covers



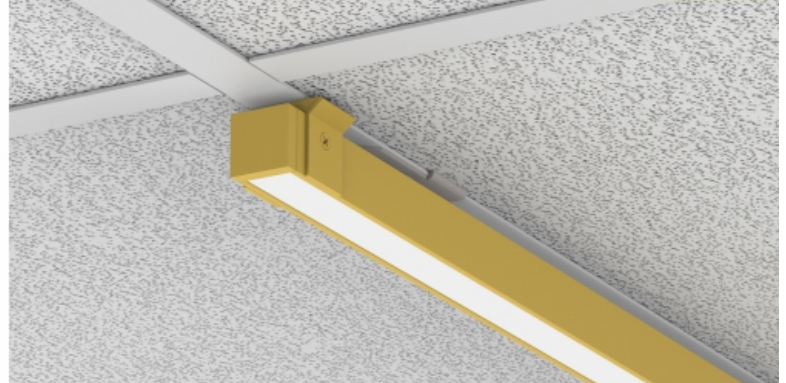
Continuous

Lcon

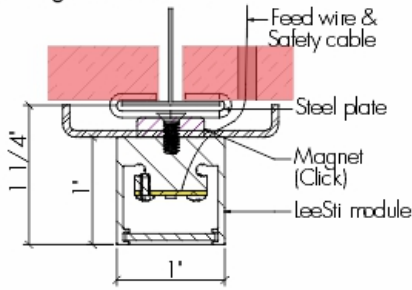


Segments

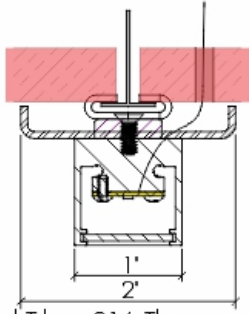
Lseg
(1"length)



Grid Ceiling Grid and Tiles

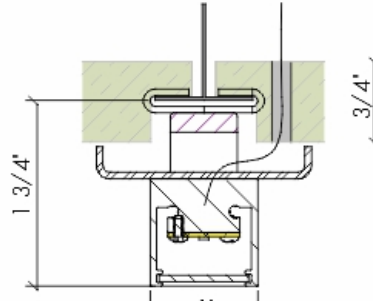


15/16" Grid T-bar 1516Tbr

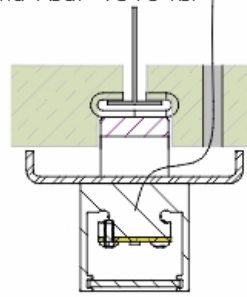


9/16" Grid T-bar 916 Tbr

Square Tile TSq

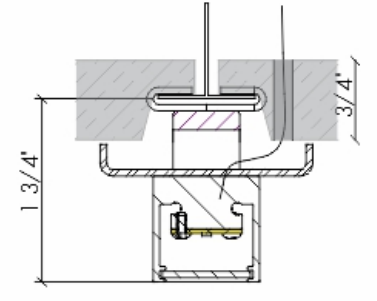


15/16" Grid T-bar 1516 Tbr

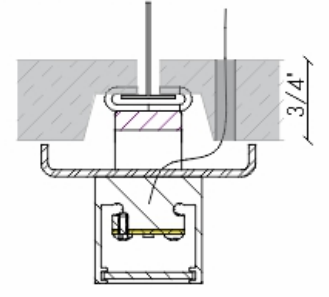


9/16" Grid T-bar 916 Tbr

Tegular Tile TTr

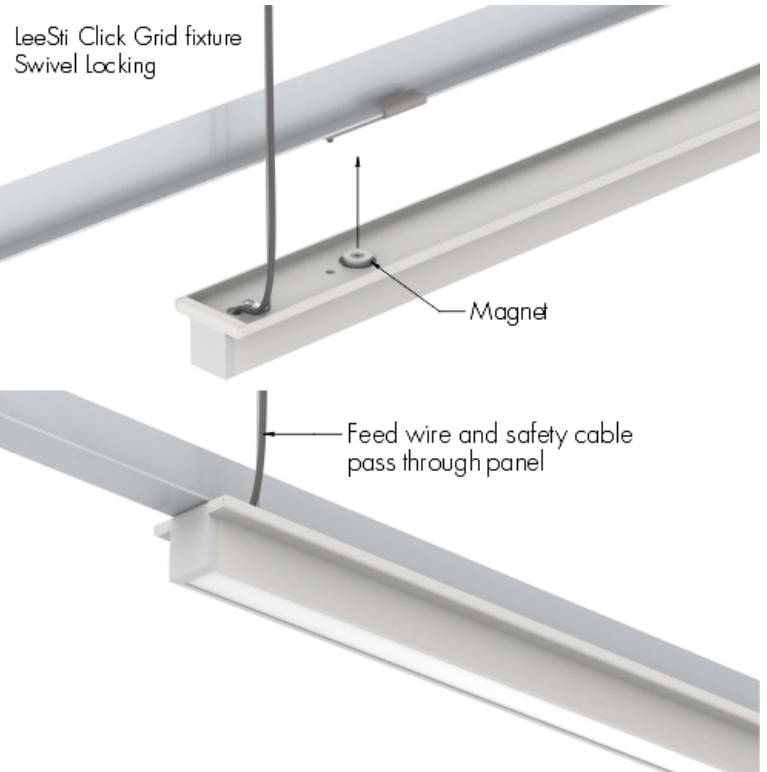


15/16" Grid T-bar 1516 Tbr



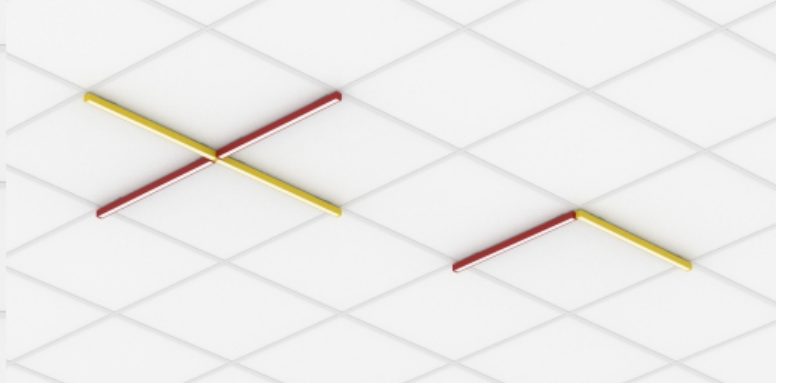
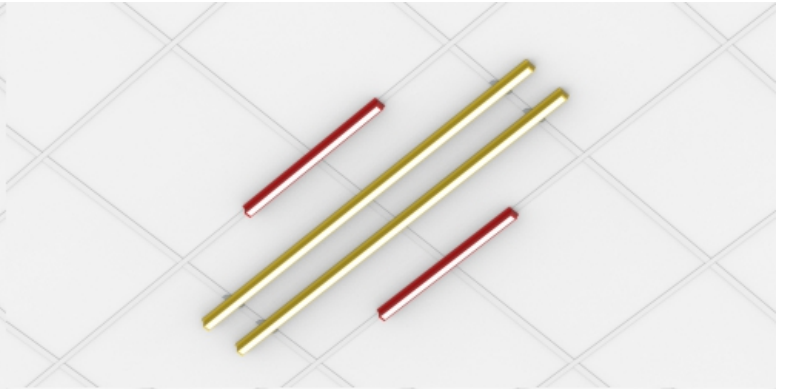
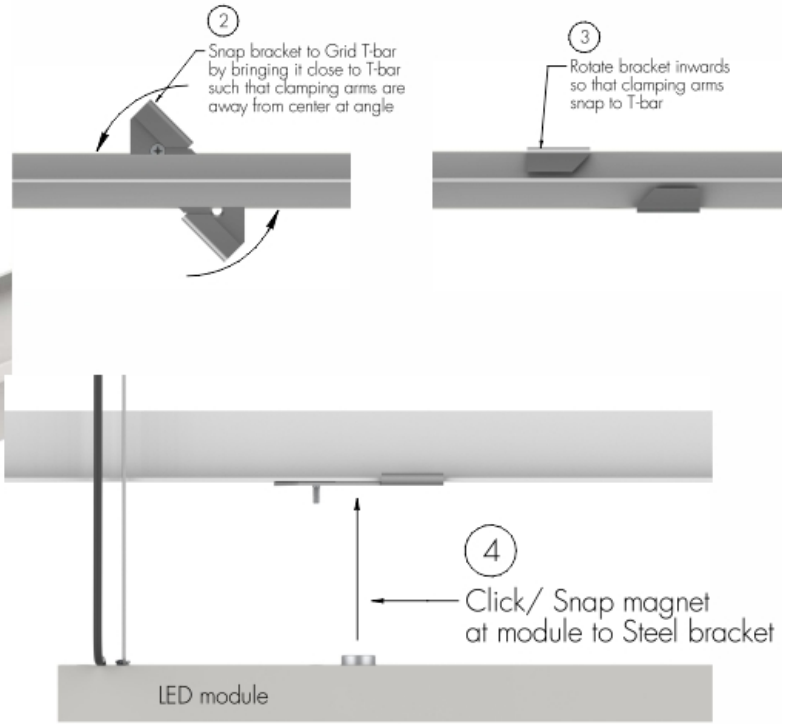
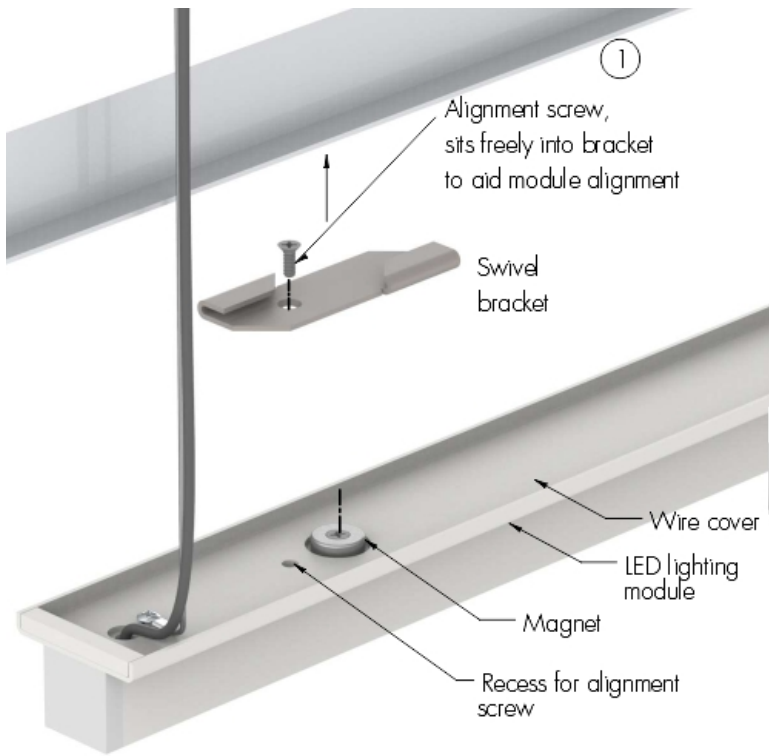
9/16" Grid T-bar 916 Tbr

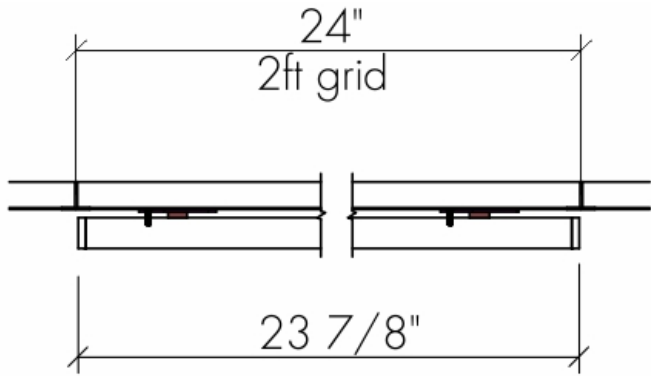
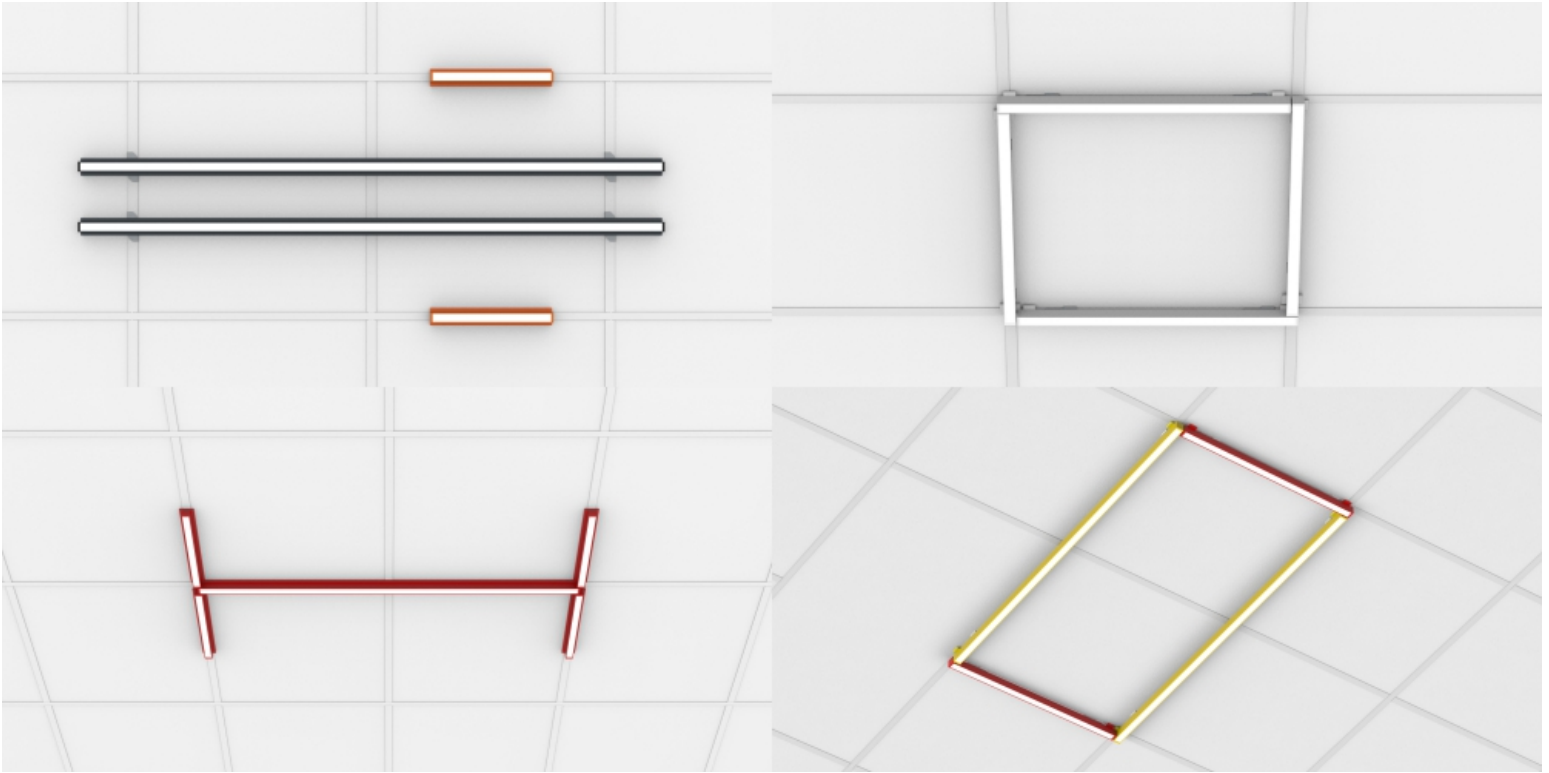
Angle Tegular Tile TTran



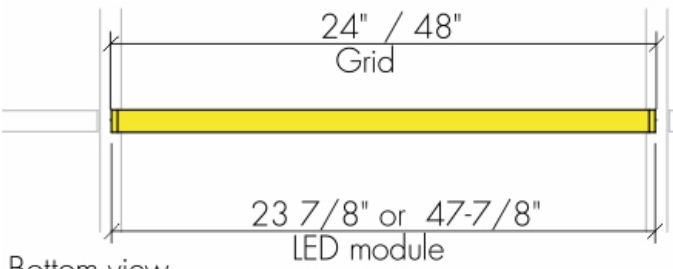
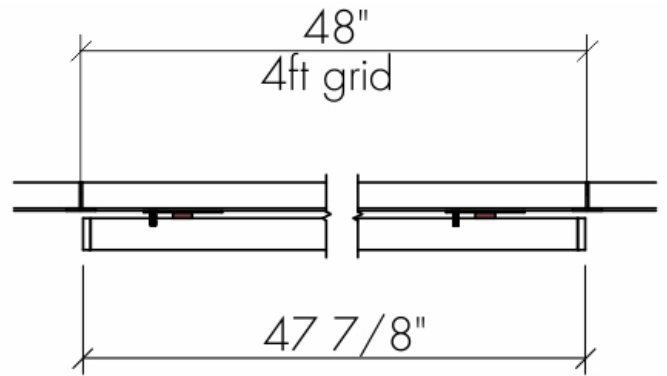
LeeSti Click Close

LeeSti / Wall/Ceiling

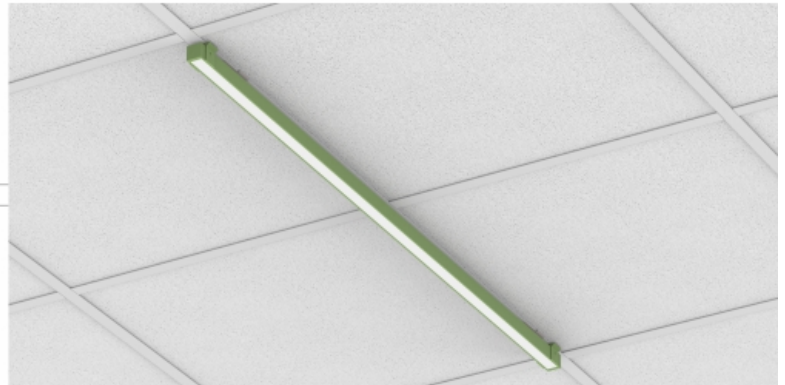




Front view

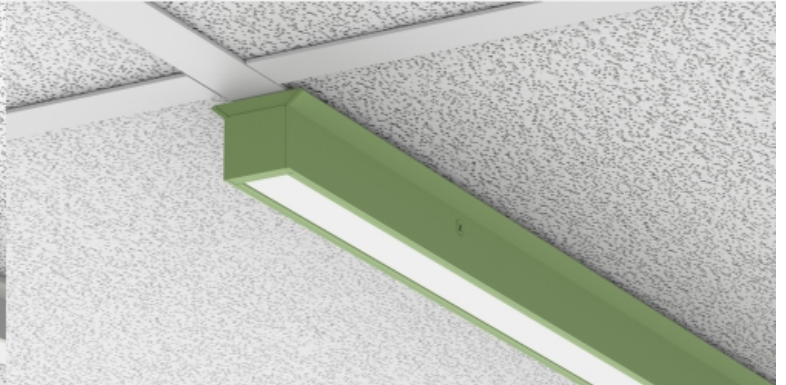
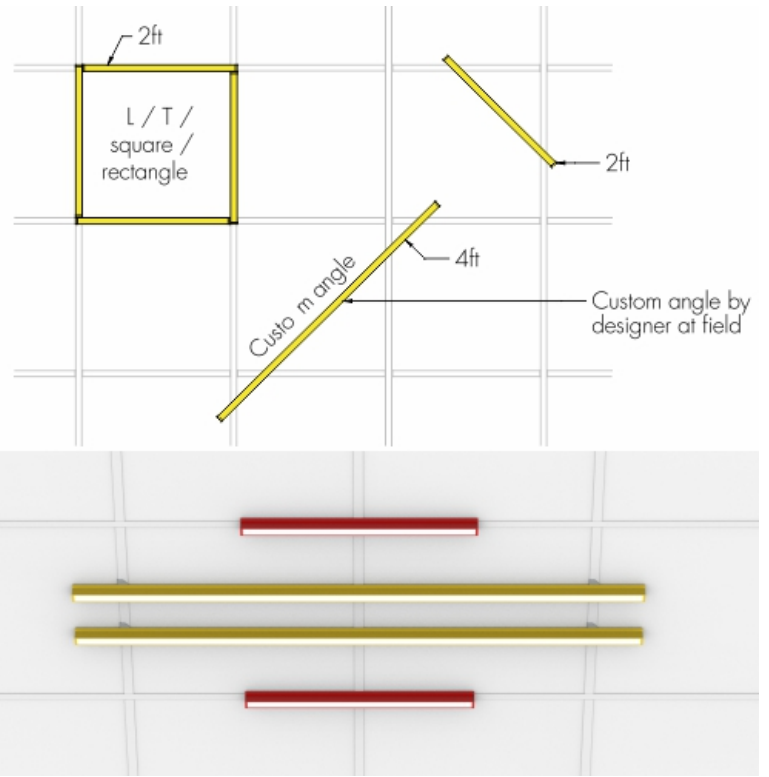
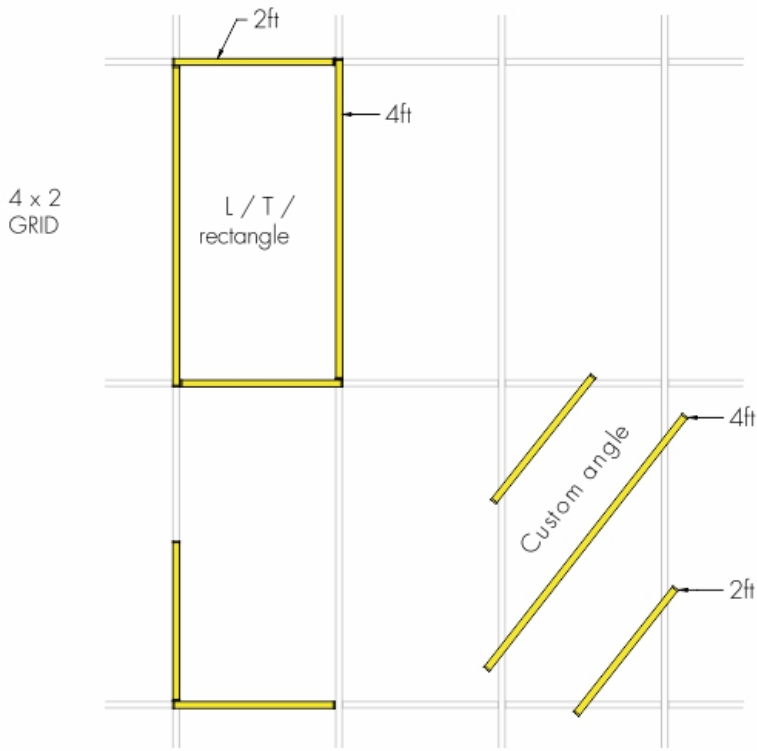


Bottom view

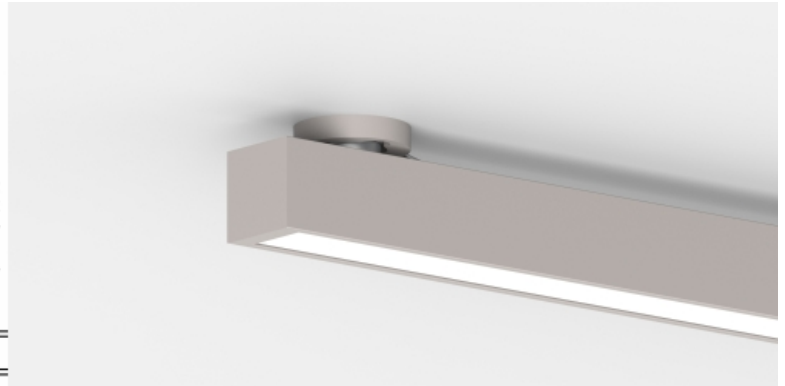
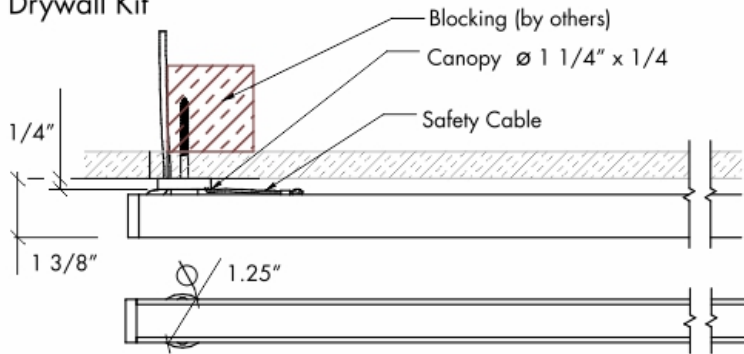


LeeSti Click Close

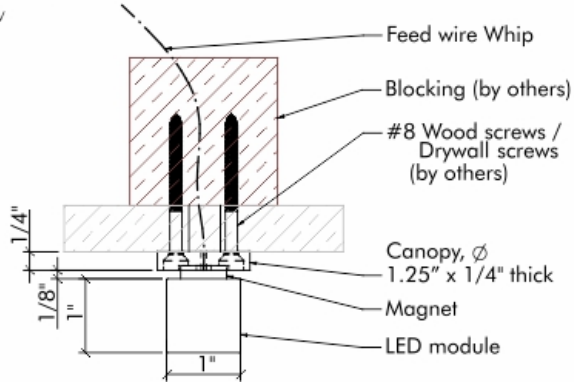
LeeSti / Wall/Ceiling



Drywall Kit



Bottom View



Driver Boxes

