

archlit reserves the right to make changes without prior notice. (07.09.2018)

LeeSti Downlight is a recessed linear lighting fixture in 1', 2' and 4' lengths Cut off adds visual comfort to the space, the light source is not seen. Totally concealed in the architecture.

A diffusing film in the lens incorporates evenness of illumination (a continuous line of light).

Dimmable or non dimmable with 0-10v dimmers (0 to 10%) with 4 wires to connect to control systems or Triac versions

(0-1%) with 2 wires that can be used with standard dimmers. 3000 K and 2700 K temperature available. Lumen output of 1400 lumens and 12.5w per foot. Drivers are integral in 17 module and remote in all other lengths.

The lighting module is pushed up to install, pushed down to uninstall.

LEDRTC

LeeSti Downlight Recessed Trim Cut Off

Lumen Output

- 3017 - 3000 K 1200 lumens / ft 12 w /ft
- 3014 - 3000 K 1000 lumens / ft 10 w /ft
- 3011 - 3000 K 780 lumens / ft 7.5 w /ft
- 3008 - 3000 K 560 lumens / ft 5.5w /ft
- 3005 - 3000 K 350 lumens / ft 3.1 w /ft
- 3517 - 3500 K 1200 lumens / ft 12 w /ft
- 3514 - 3500 K 1000 lumens / ft 10 w /ft
- 3511 - 3500 K 780 lumens / ft 7.5 w /ft
- 3508 - 3500 K 560 lumens / ft 5.5w /ft
- 3505 - 3500 K 350 lumens / ft 3.1 w /ft

WhTu - White tuning 2700K @ 1050 lumens/foot

and 6500k @1200 lumens/foot 12.5 watt/foot

All Uplight versions with light will have a transparent diffuser

Use of programmable drivers allow different outputs (lumen output and load) to fix color temperature versions

Finish

- WH - White
  - BK - Black
  - CU - Custom Color
- Specify RAL color

Dimming Options

- 0 - Non Dimmable 120v
  - 1 - Non Dimmable 277v
  - 4 - Dimmable 0-10v (4wires, 120 and 277 v)
- Dimmable TRIAC (2 wires, max 25w, 120v)requires more drivers if run is bigger than 2'



# LeeSti Trim Cut Off

LeeSti / Recessed

## Runs

A - 1' module 12 inches 12.5 w

B - 2' module 23.5 inches 25w

C - 3' module nominal 35 inches

D - 4' module 46.5 inches 50w

Total Run: (0 ft 0 in)

run can be generated with 1', 2', 3', 4' nominal modules

## Emergency

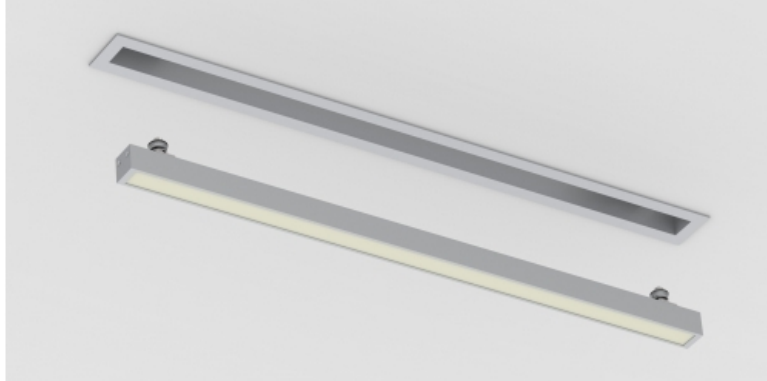
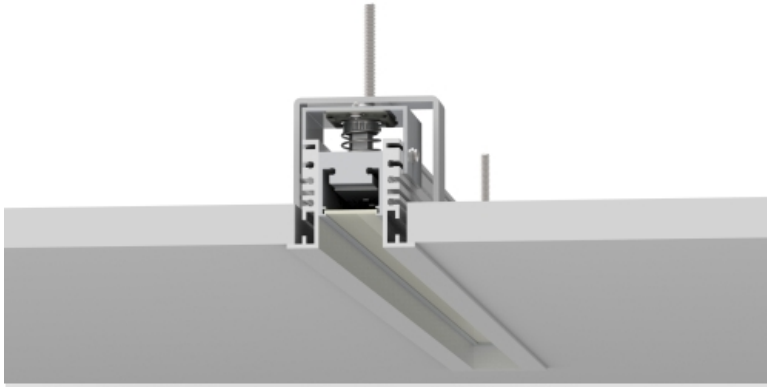
00 - No Emergency

EM - Emergency

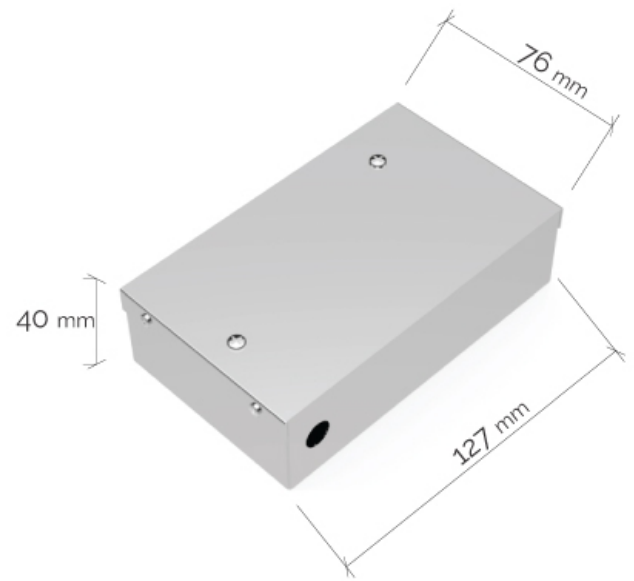
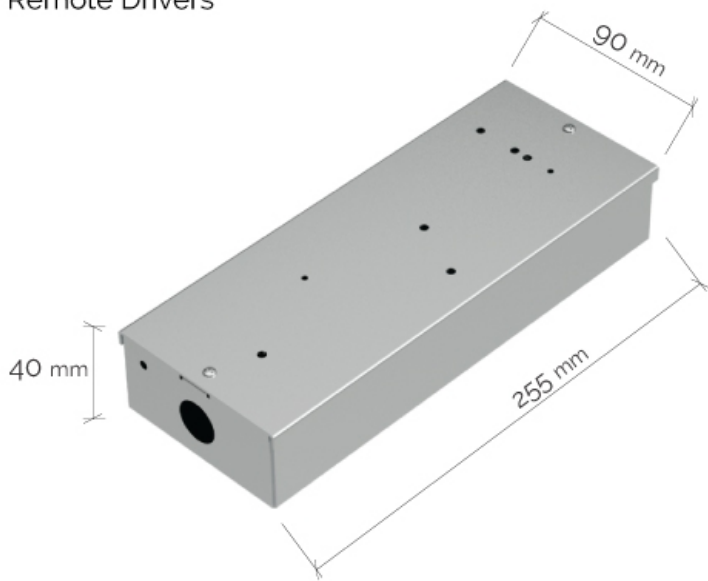
Specify how many modules of emergency in a run

## Notes:

Cut Out Rectangular Run + 1 9/16' x 2 1/6' Height  
3.5" with remote driver other modules with drivers are  
remote at max. 100'.



Remote Drivers



Driver Box for Dimm 0-10v  
NTS

Driver Box Non Dimm and TRIAC drivers  
NTS

