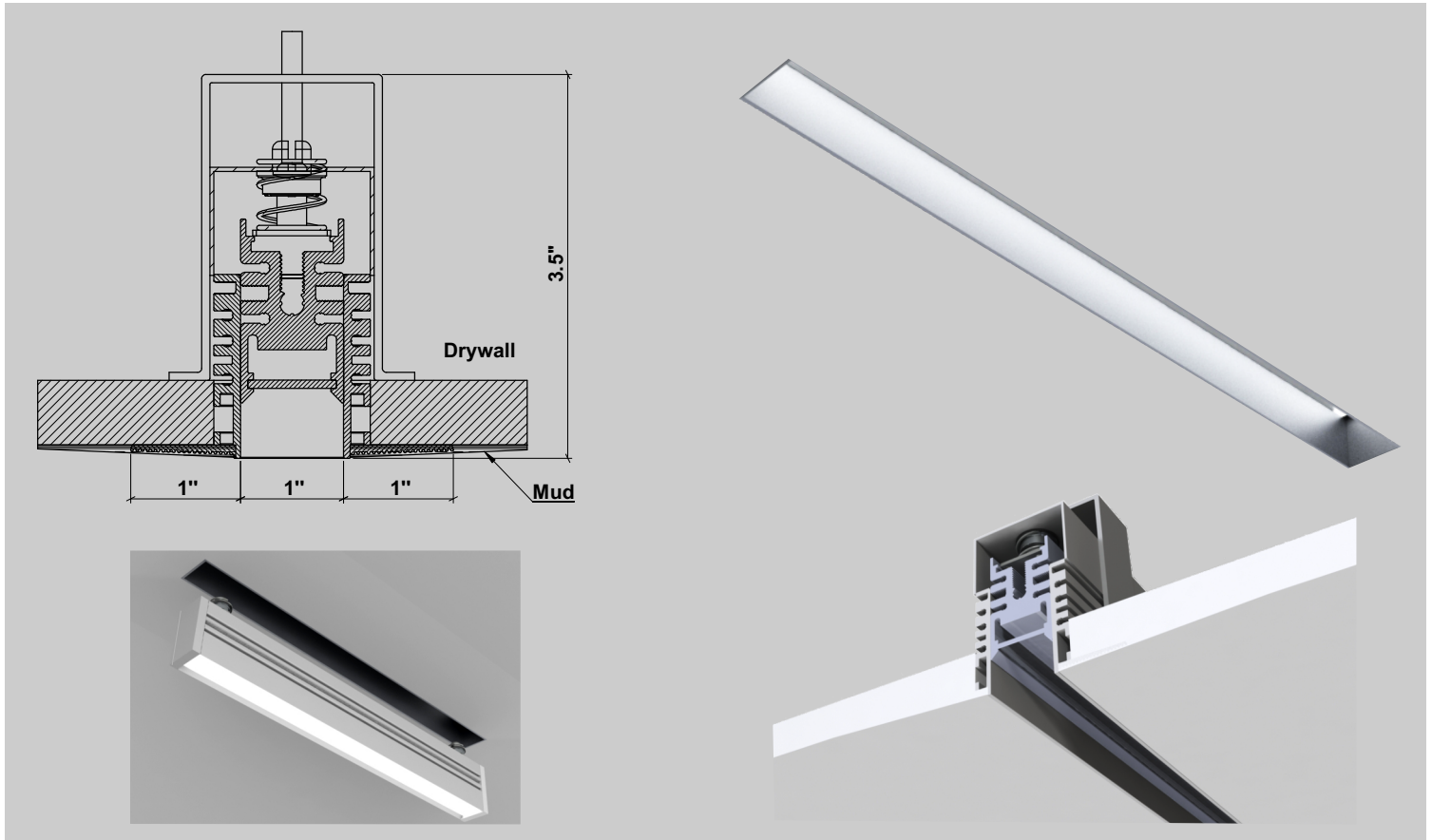


LeeSti Downlight Trimless Cut Off

LeeSti Downlight Recessed Trimless Cut Off LED



archlit reserves the right to make design changes without prior notice. 1.15.14

LeeSti Downlight is a recessed linear lighting fixture in 1', 2' and 4' lengths A cut off of 1' adds visual comfort to the space, the light source is not seen. Totally concealed in the architecture.

A diffusing film in the lens incorporates evenness of illumination (a continuous line of light).

Dimmable or non dimmable with 0-10v dimmers (0 to 10%) with 4 wires to connect to control systems or Triac versions

(0-1%) with 2 wires that can be used with standard dimmers. 3000 K and 2700 K temperature available. Lumen output of 1400 lumens and 12.5w per foot. Drivers are integral in 1' module and remote in all other lengths.

The lighting module is pushed up to install, pushed down to uninstall.

LDTC

LeeSti
Downlight
Recessed
Trimless
Cut Off

Lumen
Output

27 1300 lumens/ft 2700k 12.5w
30 1400 lumens/ft 3000k 12.5w

Finish
Interior

WH White
BK Black
CU Custom
Specify RAL color

Dimming Options

0 Non Dimmable
1 DIM TRIA 120V
2 DIM TRIA 277V
3 Dimmable 0-10v
(4wires, 120/277 v)

Dimmable TRIAC (2 wires, max 25w, 120v)
requires more drivers if run is bigger than 2'

Length

1' 12.5w
2' 25w
4' 50 w
CU Custom (consult factory, write length)

Emergency

Blank No Emergency
EM Emergency module
max 24"

Adding emergency to a 4' means (2) drivers and
(2) emergency packages if want all in emergency
If 4' has 2' with emergency and 2' without it, will
have (2) drivers and(1) emergency package

Cut Out
Rectangular
Run + 1 9/16" x 2 1/6"
Height 3 1/2"

Max distance
for drivers 20'
lengths more
than 1' module