



archlit reserves the right to make changes without prior notice. (02.01.2024)

AnCar 3 Recessed, extruded aluminum minimal design lighting fixture with remote drivers (max 60' from fixture).

AnCar 3 Recessed powder coated finish with even illumination at highest lumen output. 960 lumens delivered per foot, 12 w/foot. Dimmable and non dimmable. Designed for drywall trimless or trim. Lighting module width 3.25".

Trim and Trimless versions. Possible runs. Horizontal and / or vertical.

Design with absolute freedom, height is std drywall. For installation of frames, frame brackets position are adaptable at the field to solve studs interference. Lighting modules installed with magnets

## AnCa3Re

### AnCar 3 Recessed

AnCar3Re -

#### Lumen Output

- 30HO - 3000 K 960 lumens / ft 12 w /ft
- 30 - 3000 K 640 lumens / ft 6 w /ft
- 35HO - 3500 K 960 lumens / ft 12 w /ft
- 35 - 3500 K 640 lumens / ft 6 w /ft
- 40HO - 4000 K 960 lumens / ft 12 w /ft
- 40 - 4000 K 640 lumens / ft 6 w /ft

#### Finish

- WH - White
  - BK - Black
  - CU - Custom Specify RAL color
- set up charges apply

#### Dimming

- 4 - Dimmable 0-10v (4wires, 120 or 277 v)
- 1 - Non Dimmable 277v
- 0 - Non Dimmable 120v

#### Flange

- Ts - Trimless
- Tm - Trim

#### Runs

- B - 2' nominal 23 3/8" LED module
- C - 3' nominal 35 3/8" LED module
- D - 4' nominal 47 3/8" LED module
- E - 5' nominal 59 3/8" LED module
- F - 6' nominal 71 3/8" LED module
- G - 7' nominal 83 3/8" LED module
- H - 8' nominal 95 3/8" LED module
- Total Run: (0 ft 0 in)



Emergency

00 - No Emergency

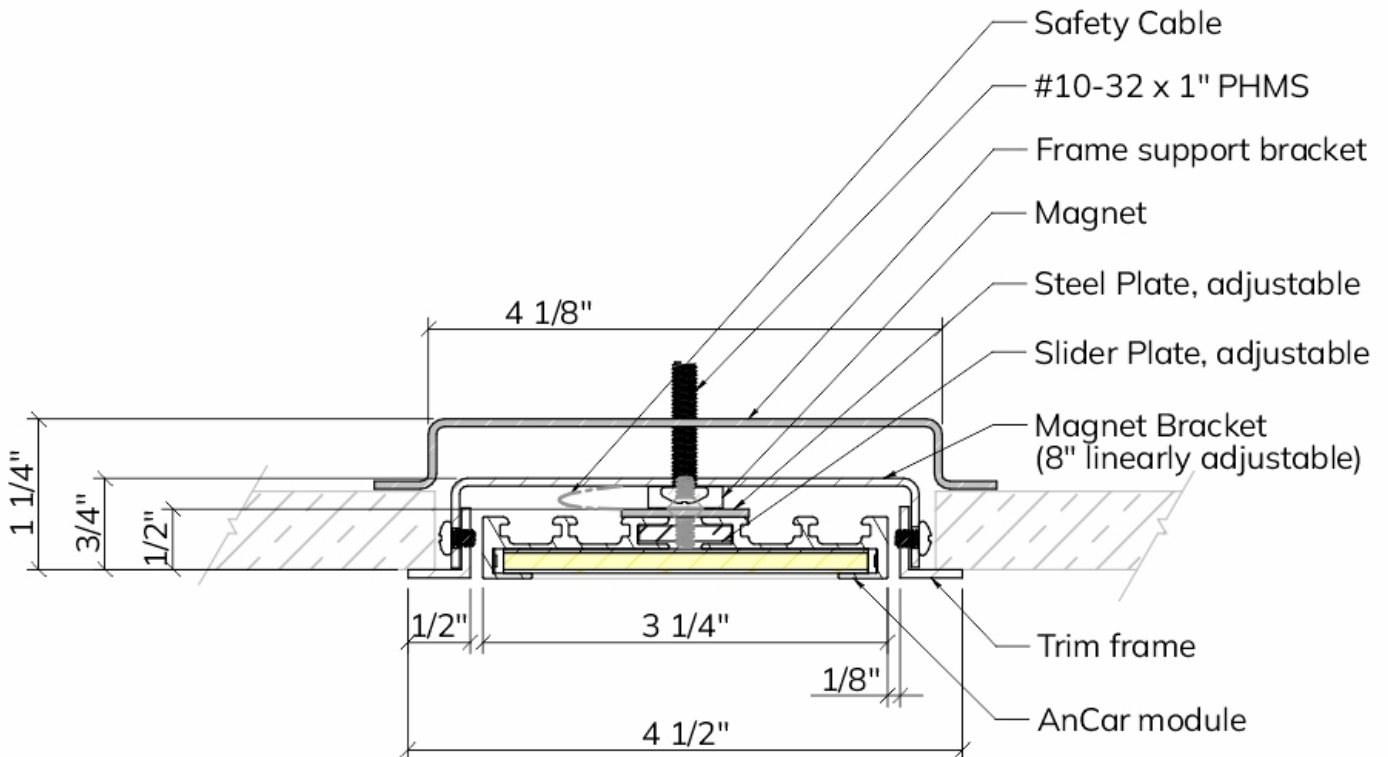
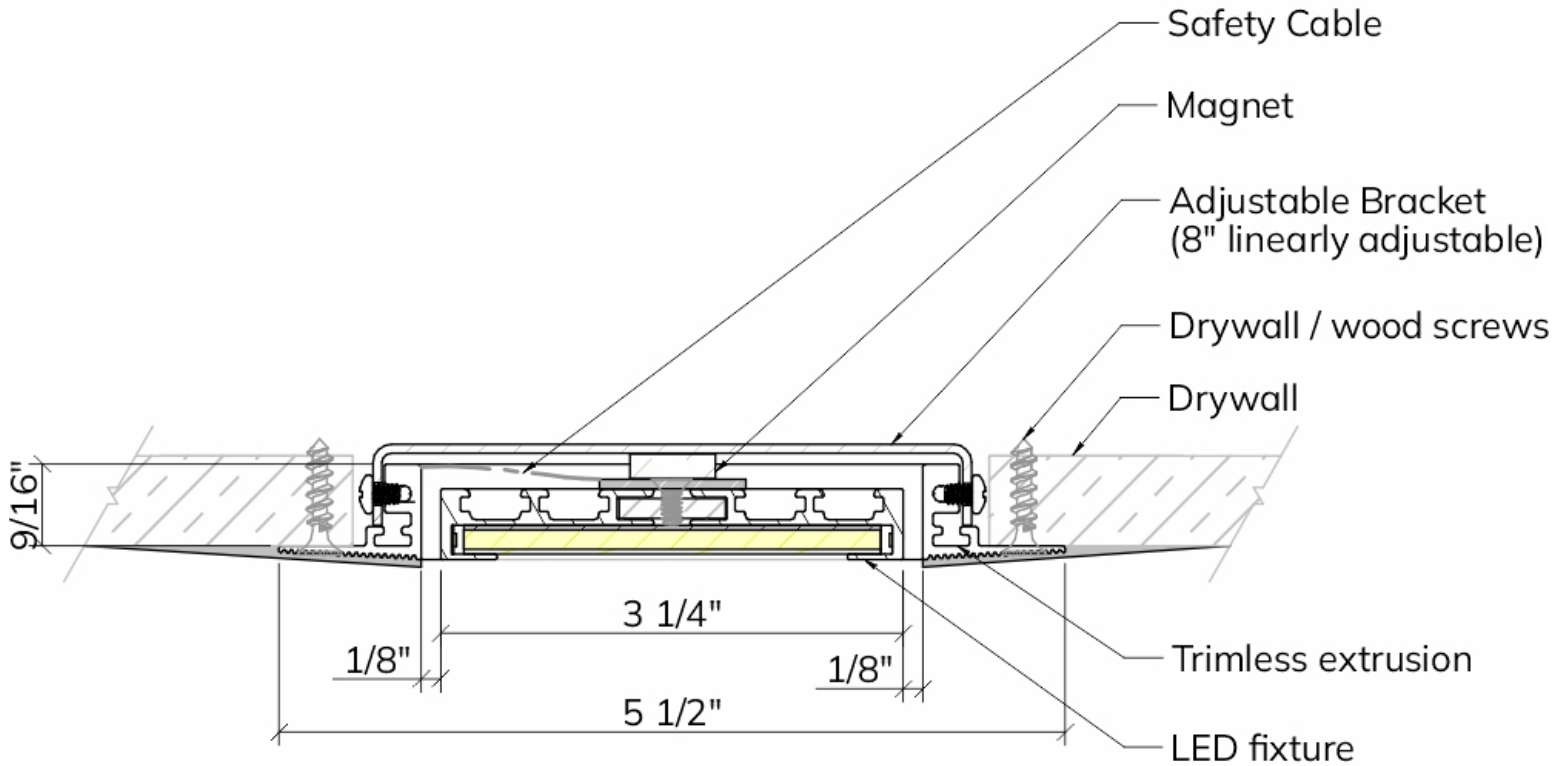
EM - Emergency module max. 4'

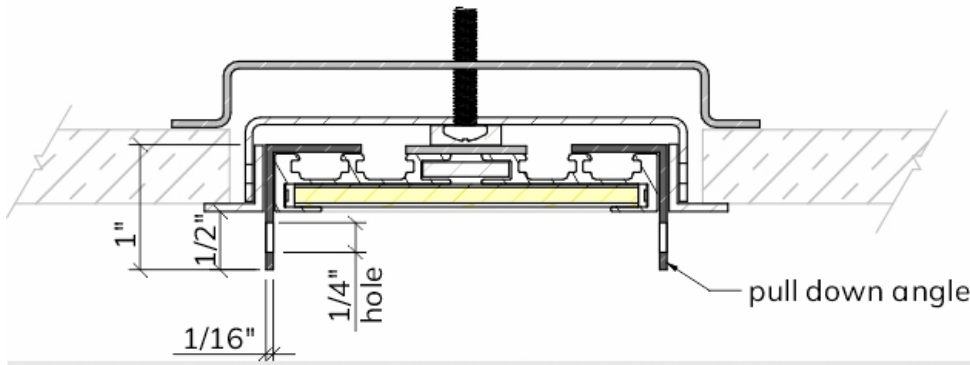
Notes:

Drivers are Remote.max segment length 8'

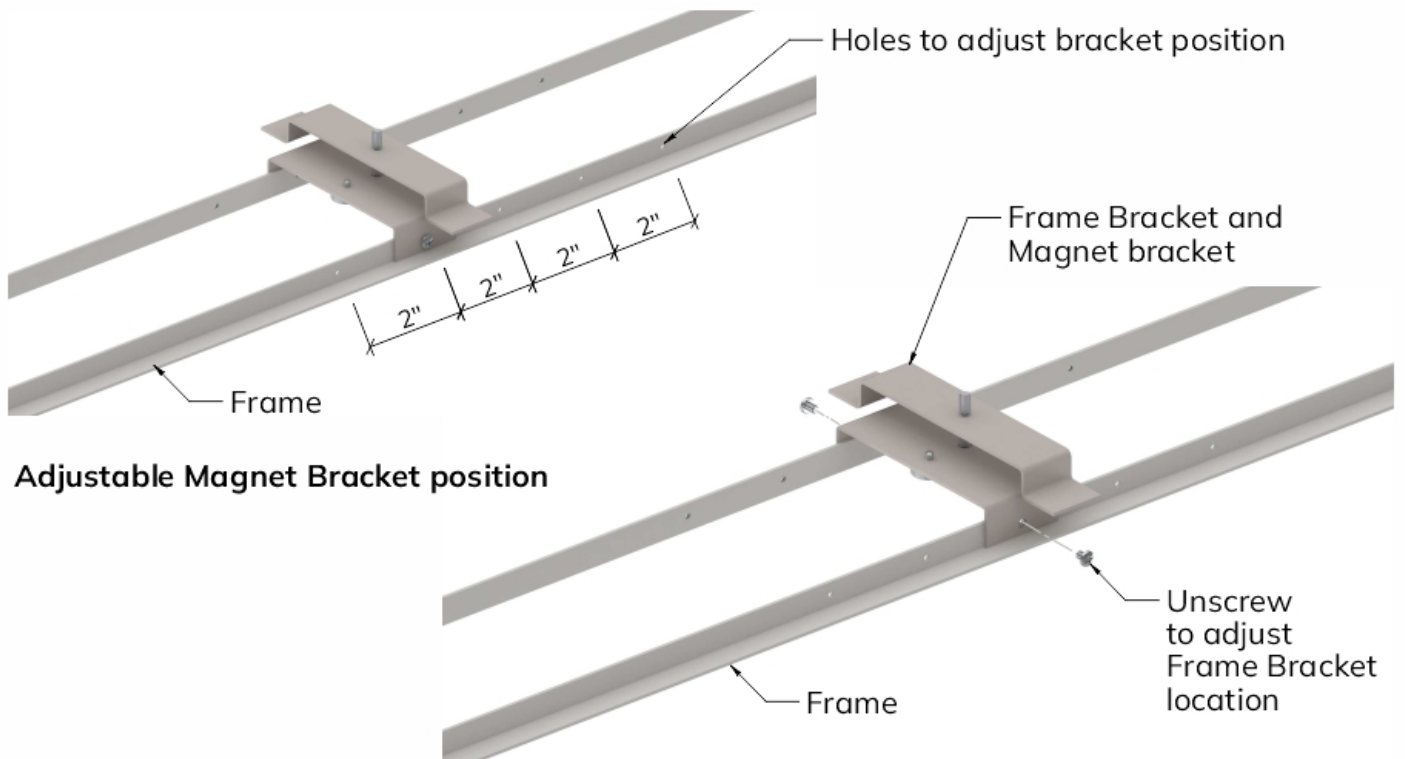
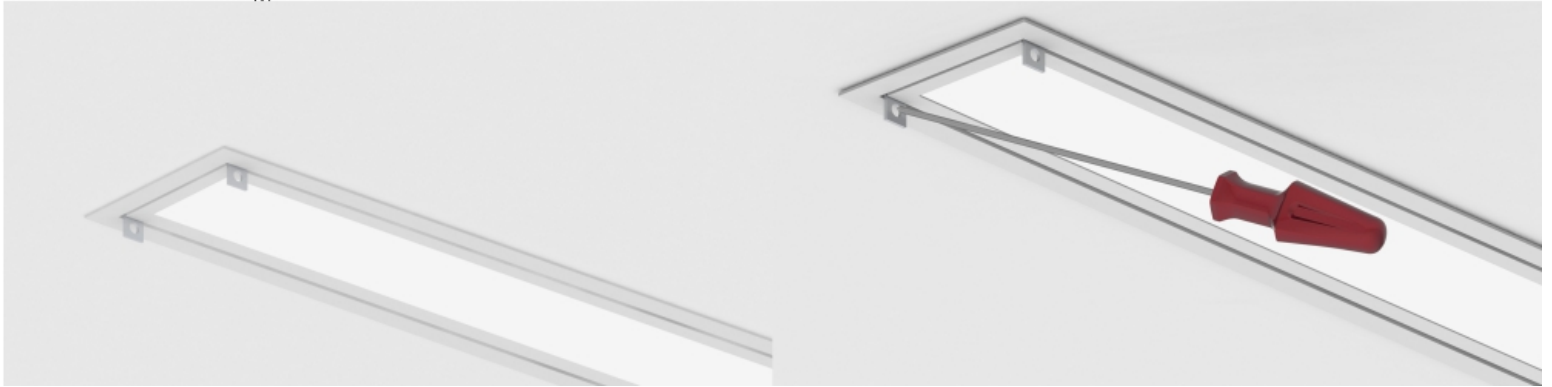
Max distance to drivers 60'

CRI more than 90. McAdam 3 bin



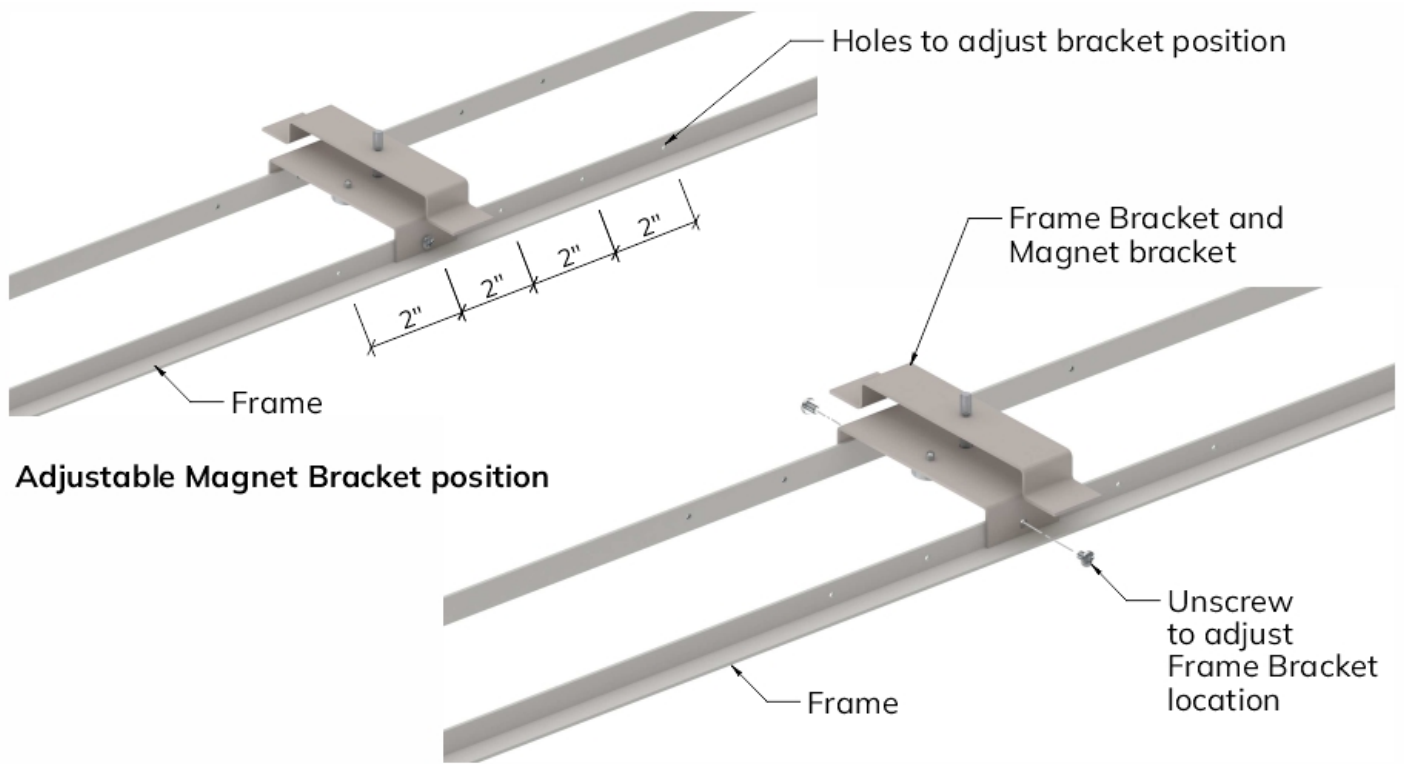


**Uninstalling Module  
by pulling Angles**



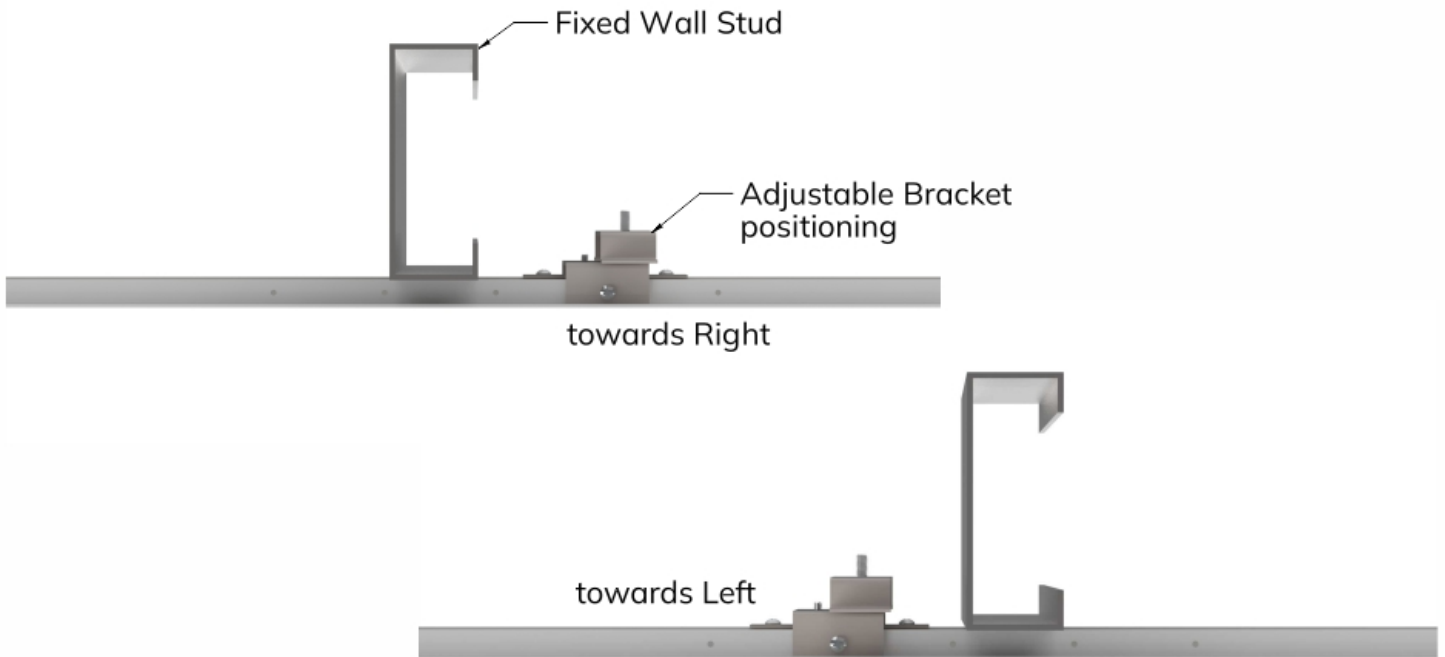
**Adjustable Magnet Bracket position**

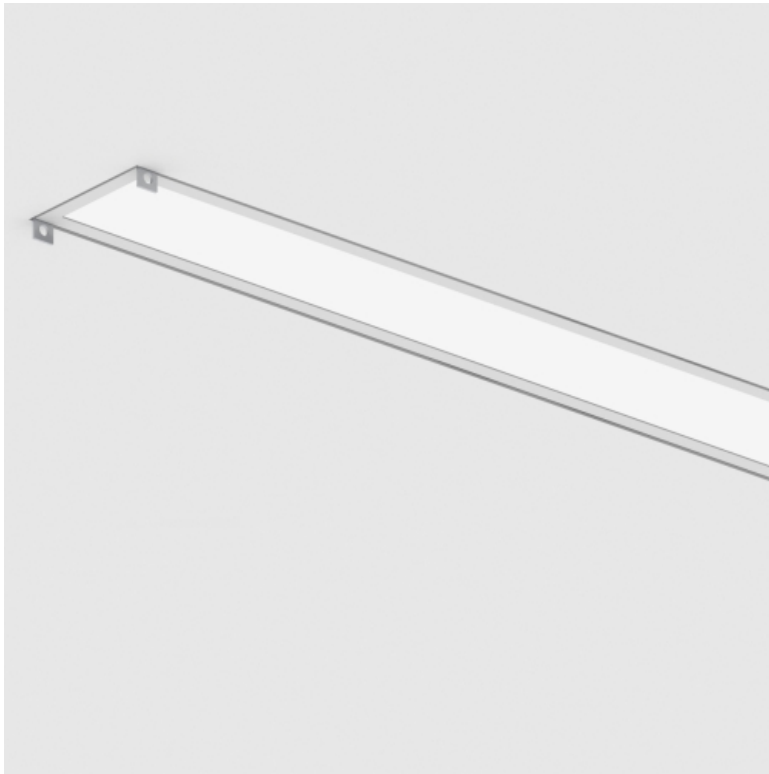
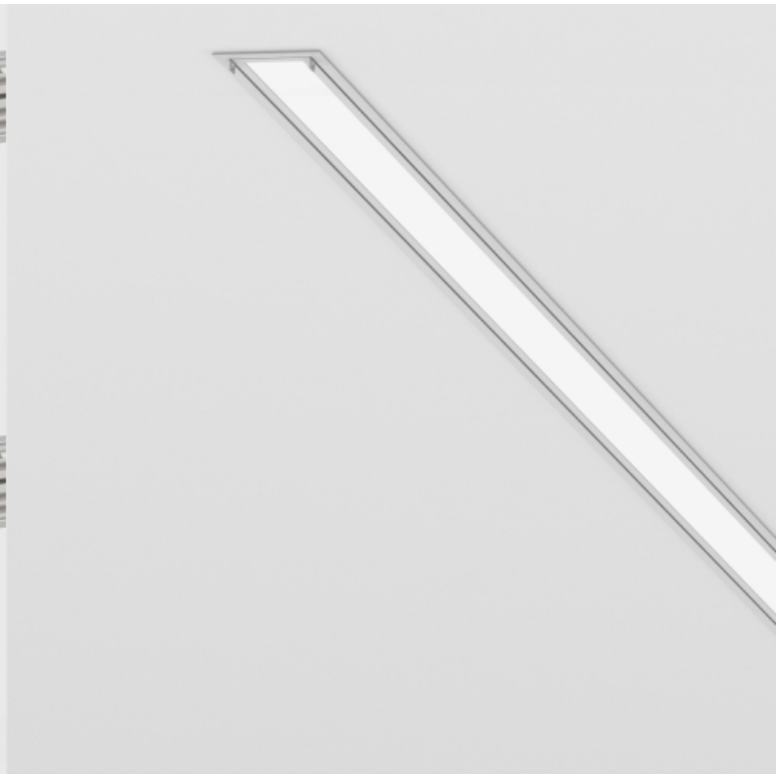
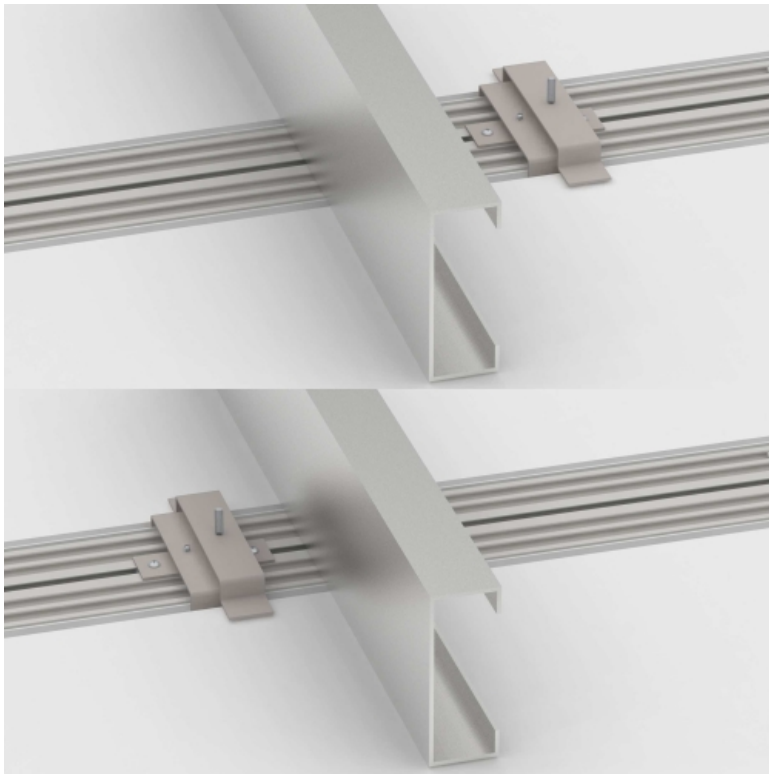


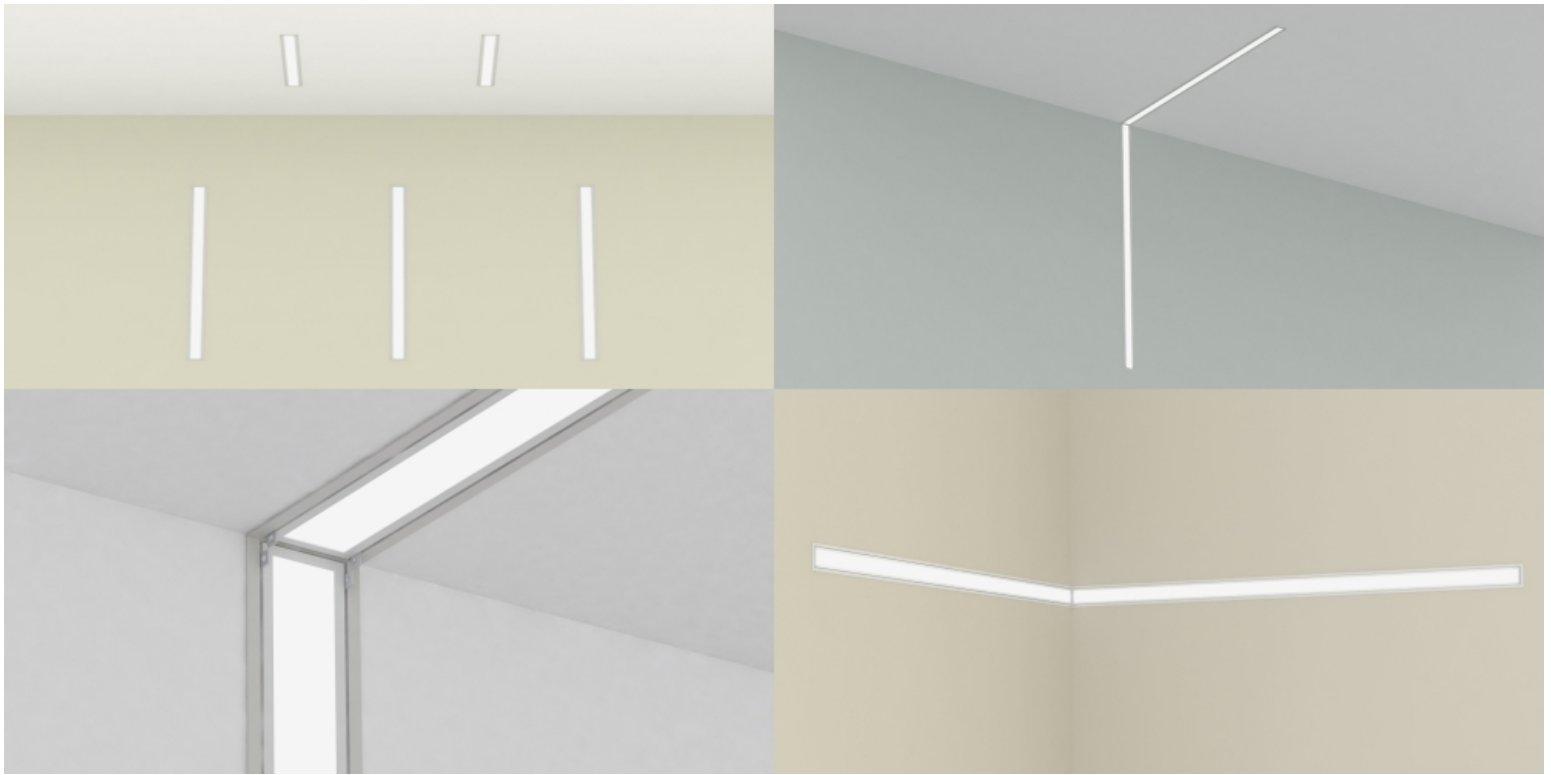


**Adjustable Magnet Bracket position**

**Adjustable Magnet Bracket position**







Driver Boxes

