

archlit reserves the right to make changes without prior notice. (04.08.2024)

AnCar 5 Pendant , direct /indirect, extruded aluminum minimal design lighting fixture with remote drivers (max 60' from fixture).

Powder coated finish or EPDM (black, colors upon request, with surcharge) sides and diffuser protected with film for even illumination at highest lumen output. 960 lumens delivered per foot, 12 w/foot. Dimmable and non dimmable.

Connectors can be adjustable, or fix. Straight runs can be produced with no connectors

## AnCa5Pend

## AnCar 5 Pendant

### AnCa5Pend -

#### Lumen Output Direct

- 30HO - 3000 K 960 lumens / ft 12 w /ft
- 30 - 3000 K 640 lumens / ft 6 w /ft
- 35HO - 3500 K 960 lumens / ft 12 w /ft
- 35 - 3500 K 640 lumens / ft 6 w /ft
- 40HO - 4000 K 960 lumens / ft 12 w /ft
- 40 - 4000 K 640 lumens / ft 6 w /ft

#### Lumen Output Indirect

- 30HO - 3000 K 960 lumens / ft 12 w /ft
- 30 - 3000 K 640 lumens / ft 6 w /ft
- 35HO - 3500 K 960 lumens / ft 12 w /ft
- 35 - 3500 K 640 lumens / ft 6 w /ft

#### Form Factor

Roun - Round EPDM (material like rubber)

Only black Consult factory for Special colors (min order of colors is 1000 feet)

Rect - Rectan

Aluminum extrusion powder coated

#### Finish

WH - White

BK - Black

CU - Custom Specify RAL color

set up charges apply

Only for Rectan Option

#### Dimming

4 - Dimmable 0-10v (4wires, 120 or 277 v)

1 - Non Dimmable 277v

0 - Non Dimmable 120v



**Runs**

- B - 2' nominal 23" LED module
- C - 3' nominal 35" LED module
- D - 4' nominal 47" LED module
- E - 5' nominal 59" LED module
- F - 6' nominal 71" LED module
- G - 7' nominal 83" LED module
- H - 8' nominal 95" LED module

Total Run: (0 ft 0 in)

**Connectors Fixed**

- Cf0 - No Connector Fixed
- CfX - Connector Fixed X
- CfT - Connector Fixed T
- CfL - Connector Fixed L
- Cf120 - Connector Fixed 120

Specify qty of each in runs  
Consult factory for special angles

**Connectors Adjustables**

- Ca0 - No Connector Adjustable
- Ca1 - Connector Adjustable 1
- Ca2 - Connector Adjustable 2
- Ca3 - Connector Adjustable 3
- Ca4 - Connector Adjustable 4

Specify qty of each in runs  
Adapt any angle in the field

**No connectors**

- Cn0 - No Connectors
- Only lineal runs or individual luminaires

**Canopy**

**Suspension Aircraft Cable**

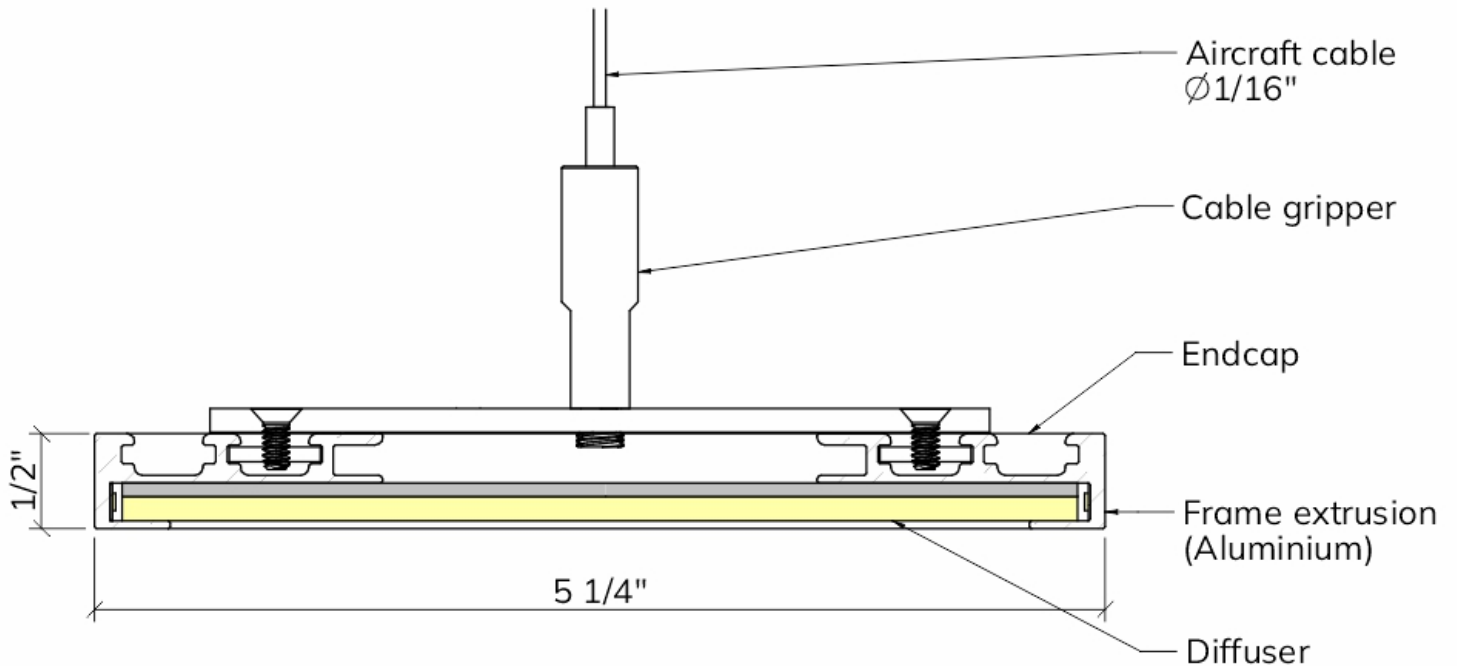
- 36 - 36" max
- 100 - 100" max

**Emergency**

- 00 - No Emergency
- EM - Emergency module max. 4'

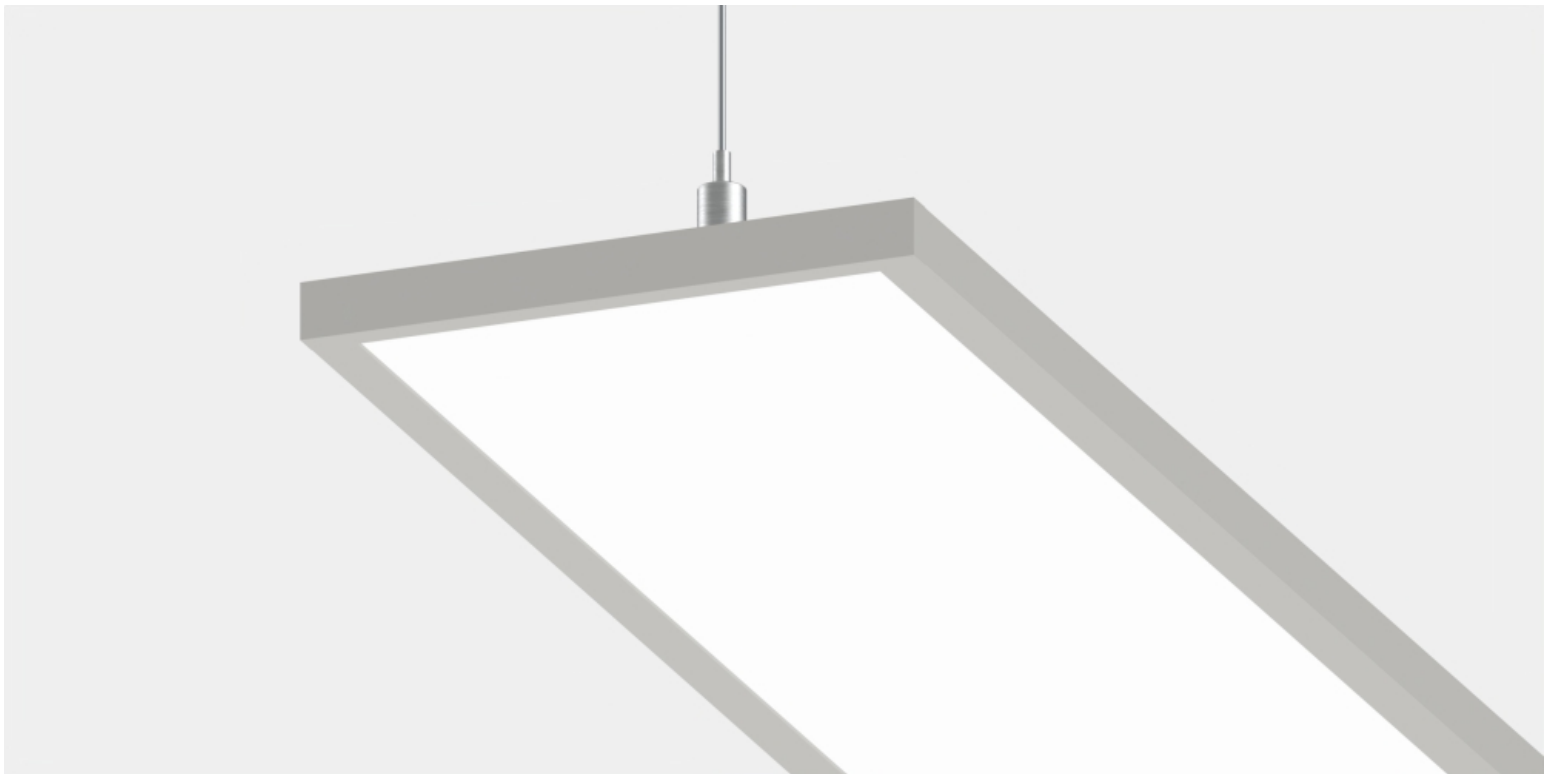
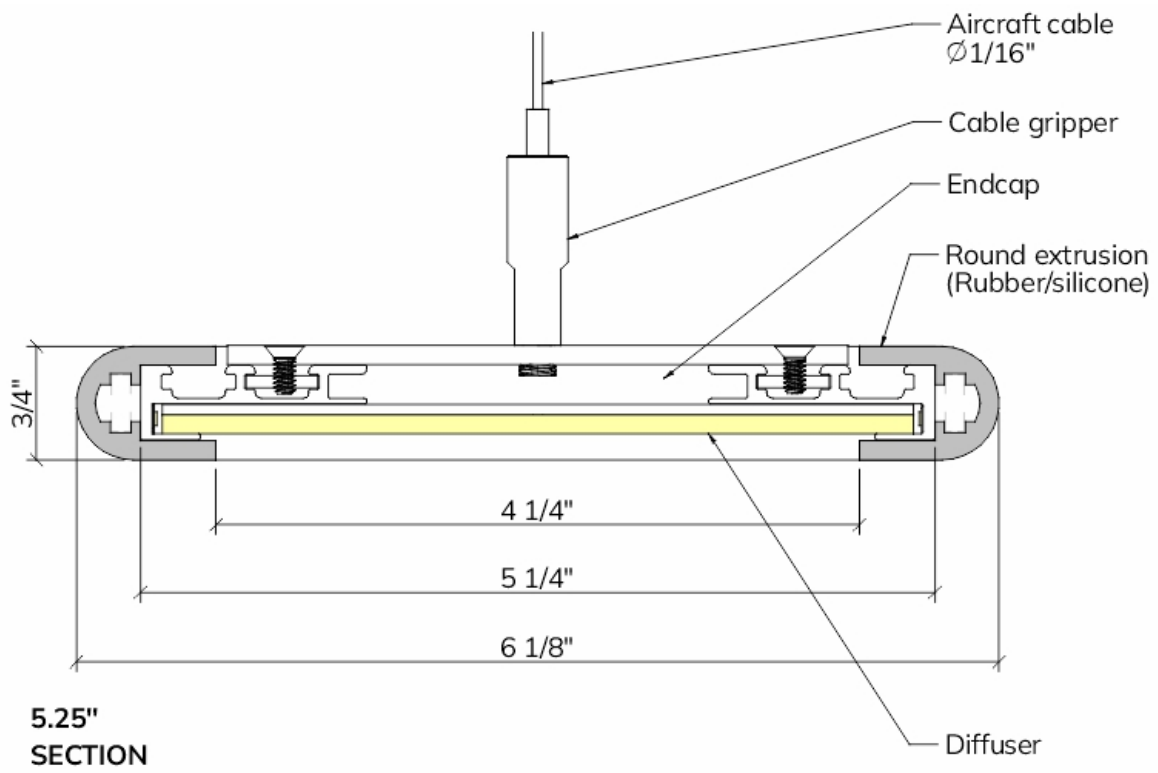
**Notes:**

Drivers are Remote. max segment length 8'  
Max distance to drivers 60'  
CRI more than 90. McAdam 3 bin  
archlit will generate submittals of runs

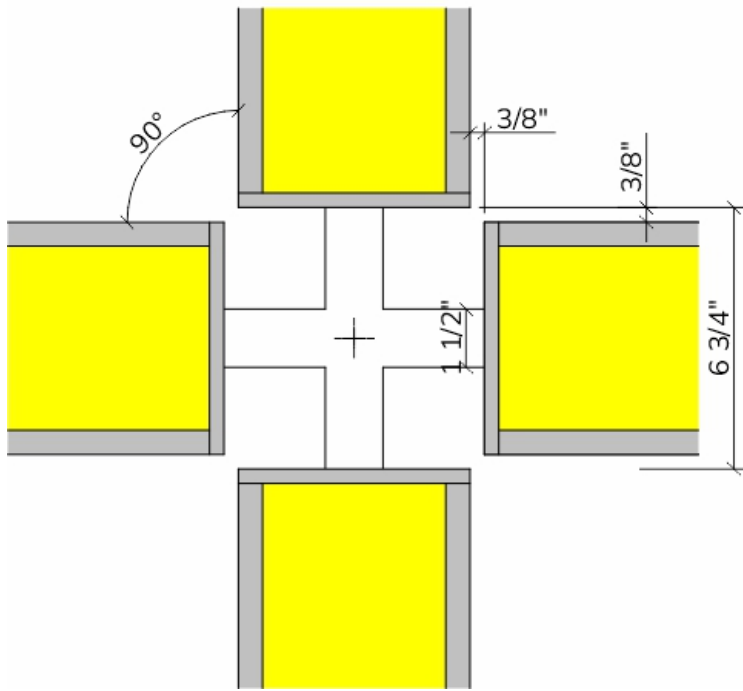


5.25"  
SECTION

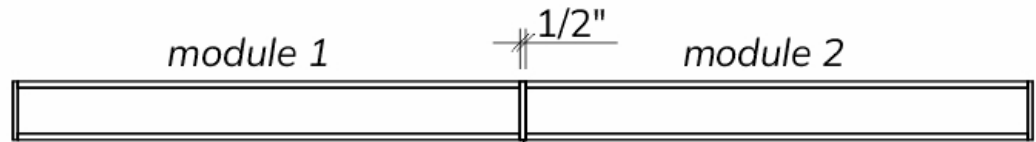
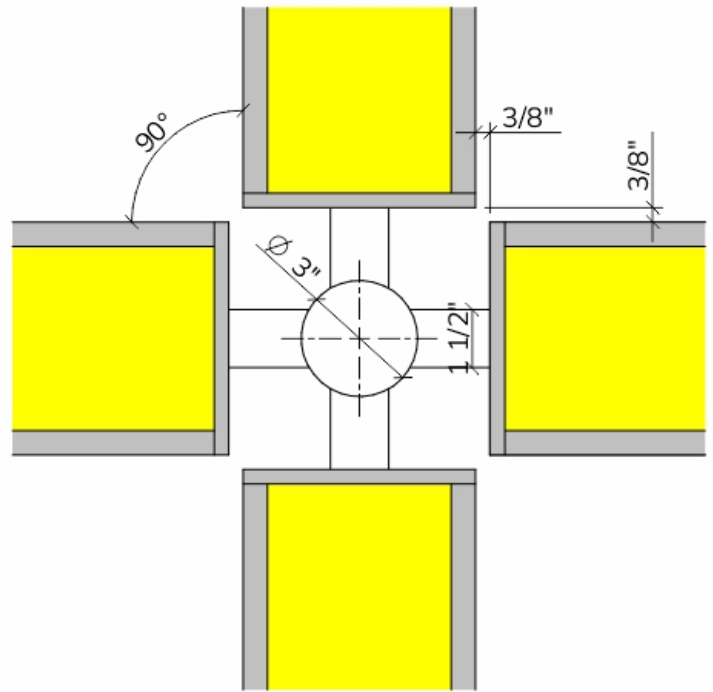




### Fixed Connector

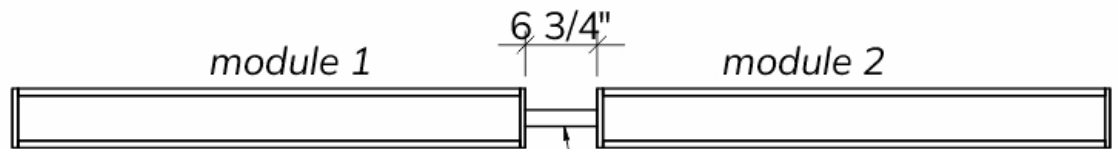


### Adjustable Connector



Straight Joint with intermediate endcap

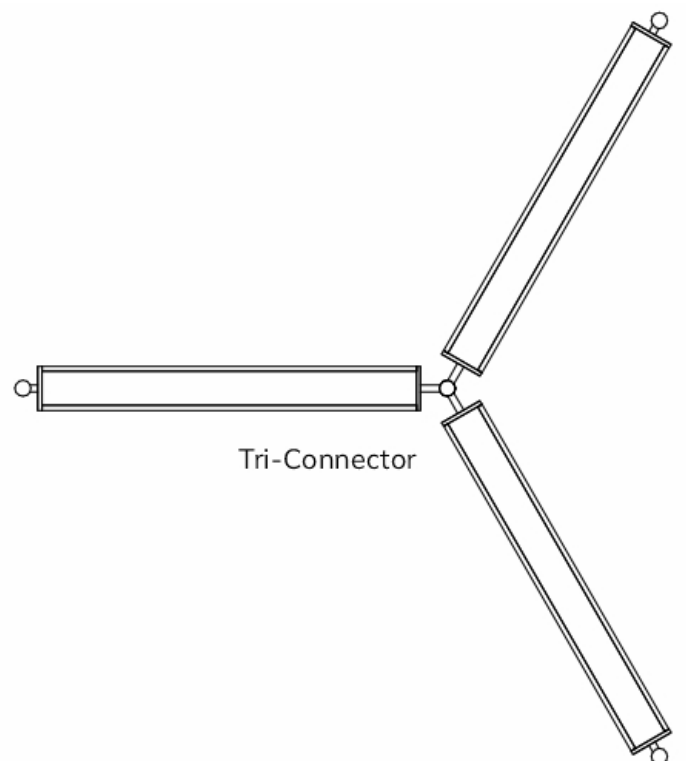
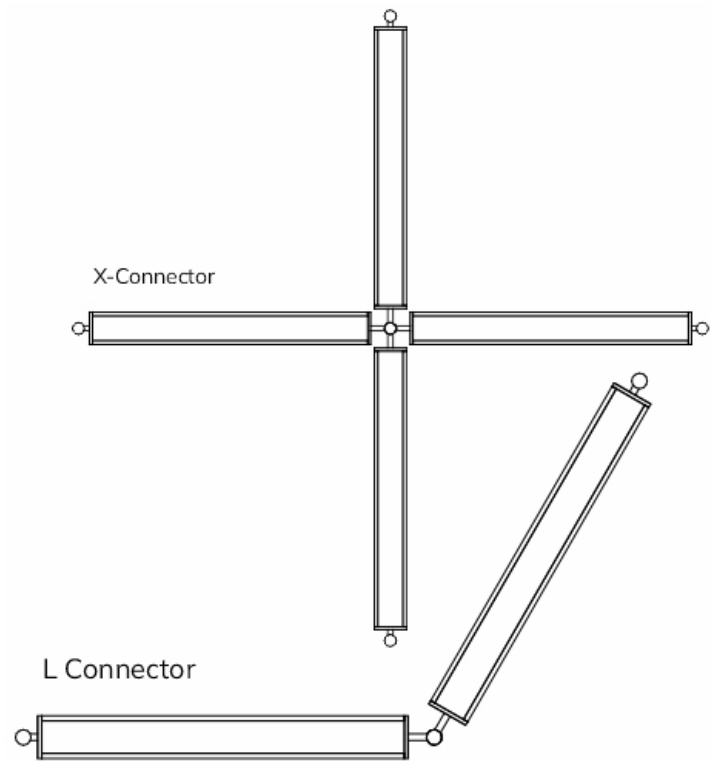
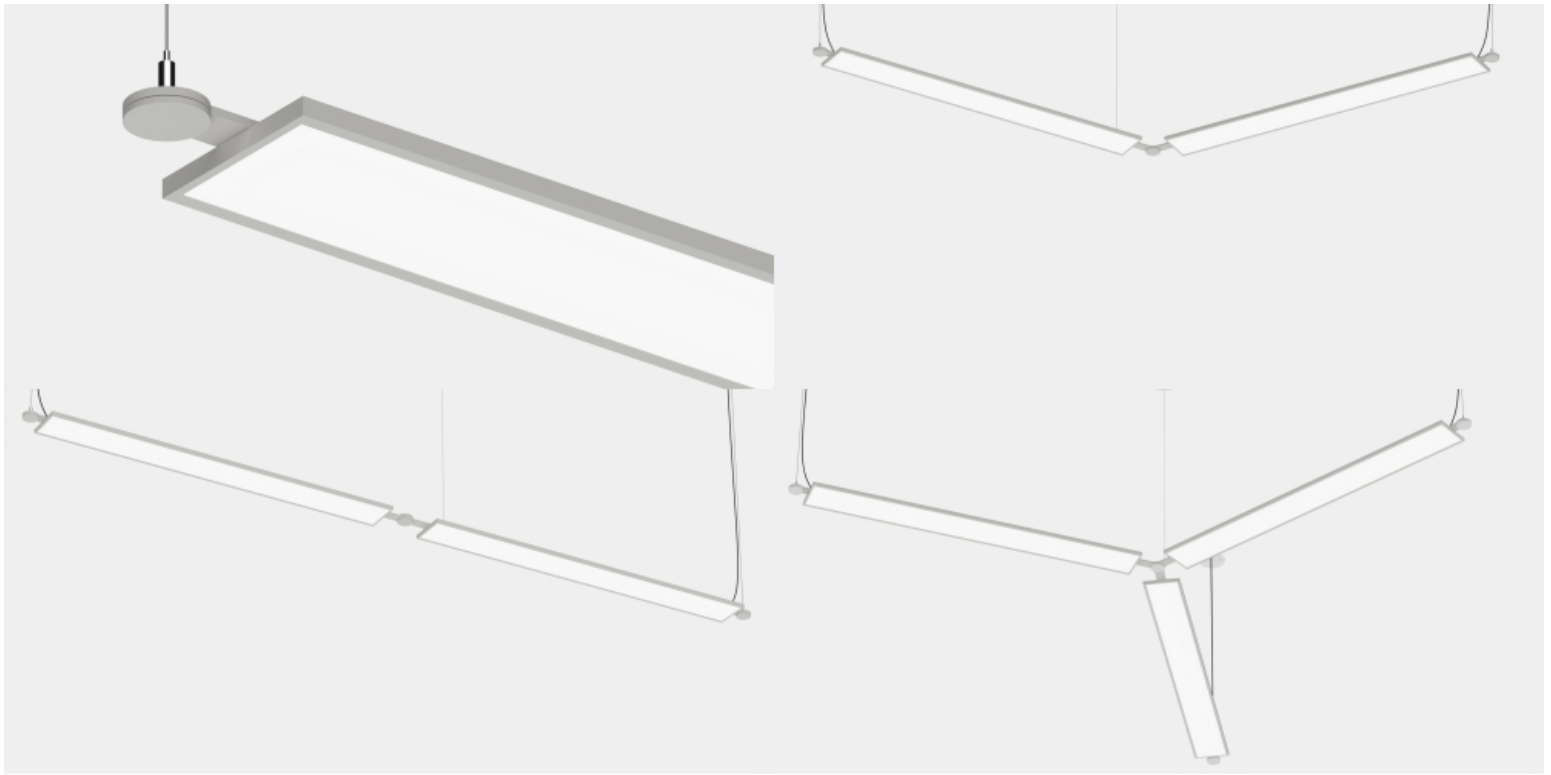
Intermediate Endcap

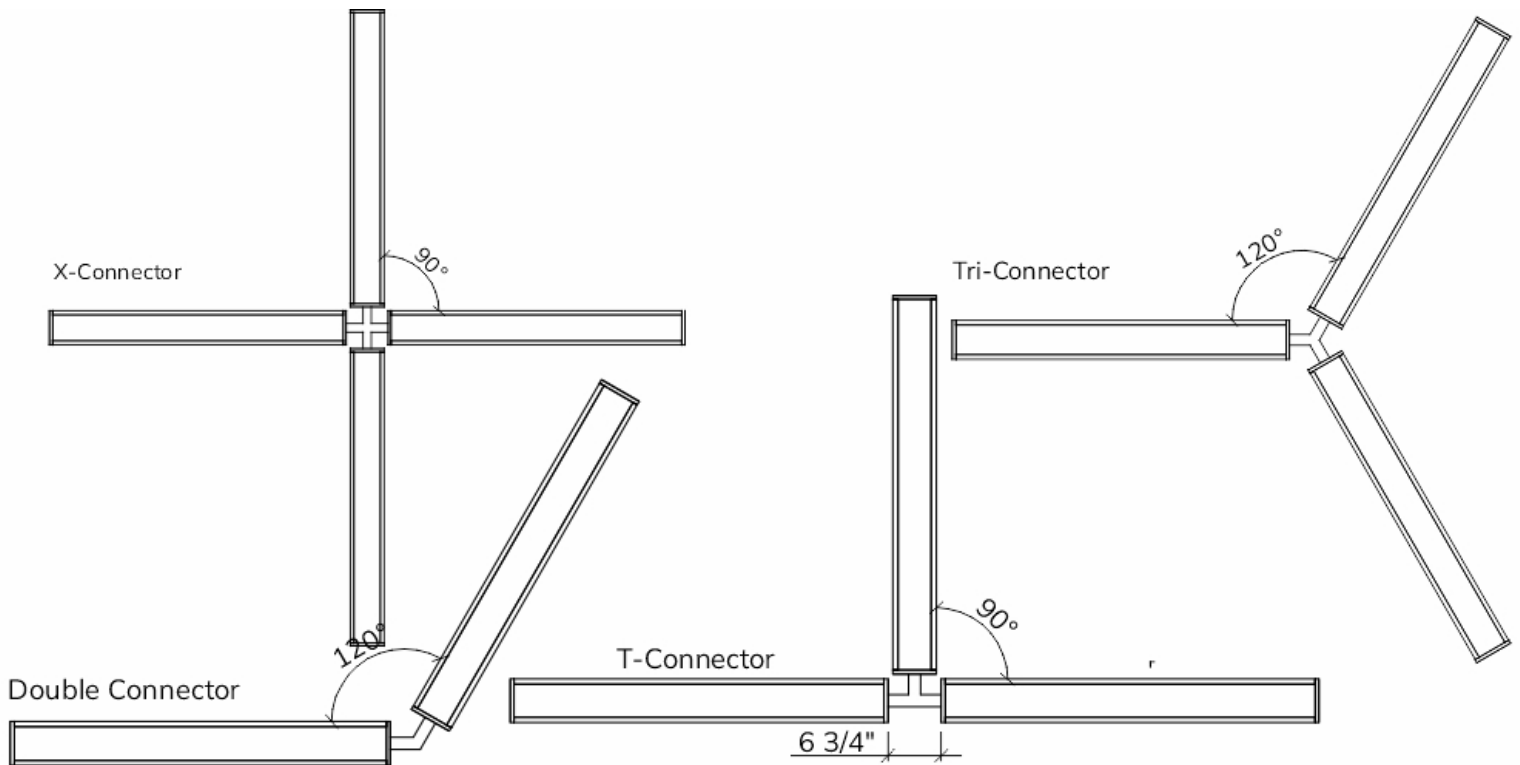
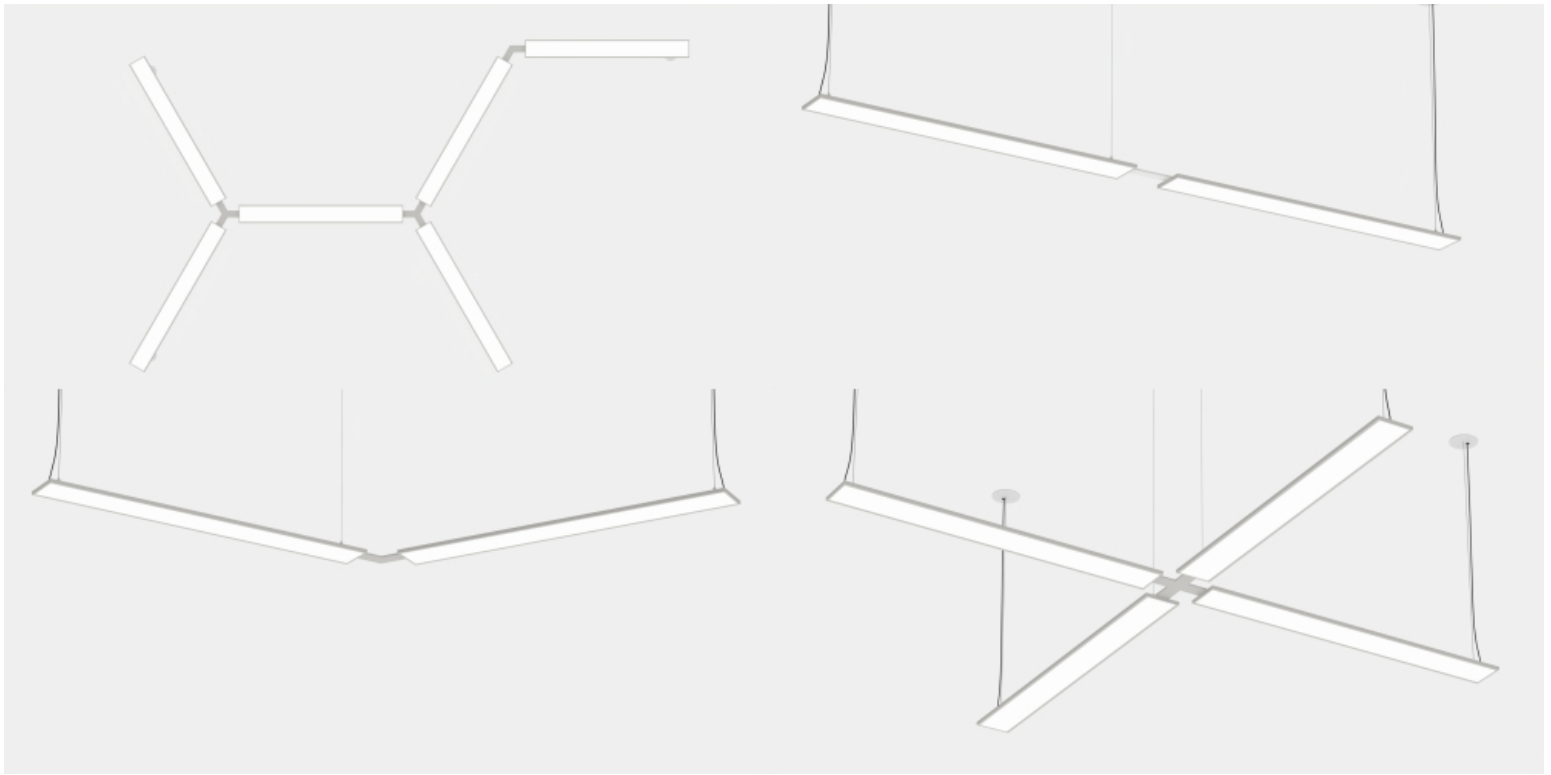


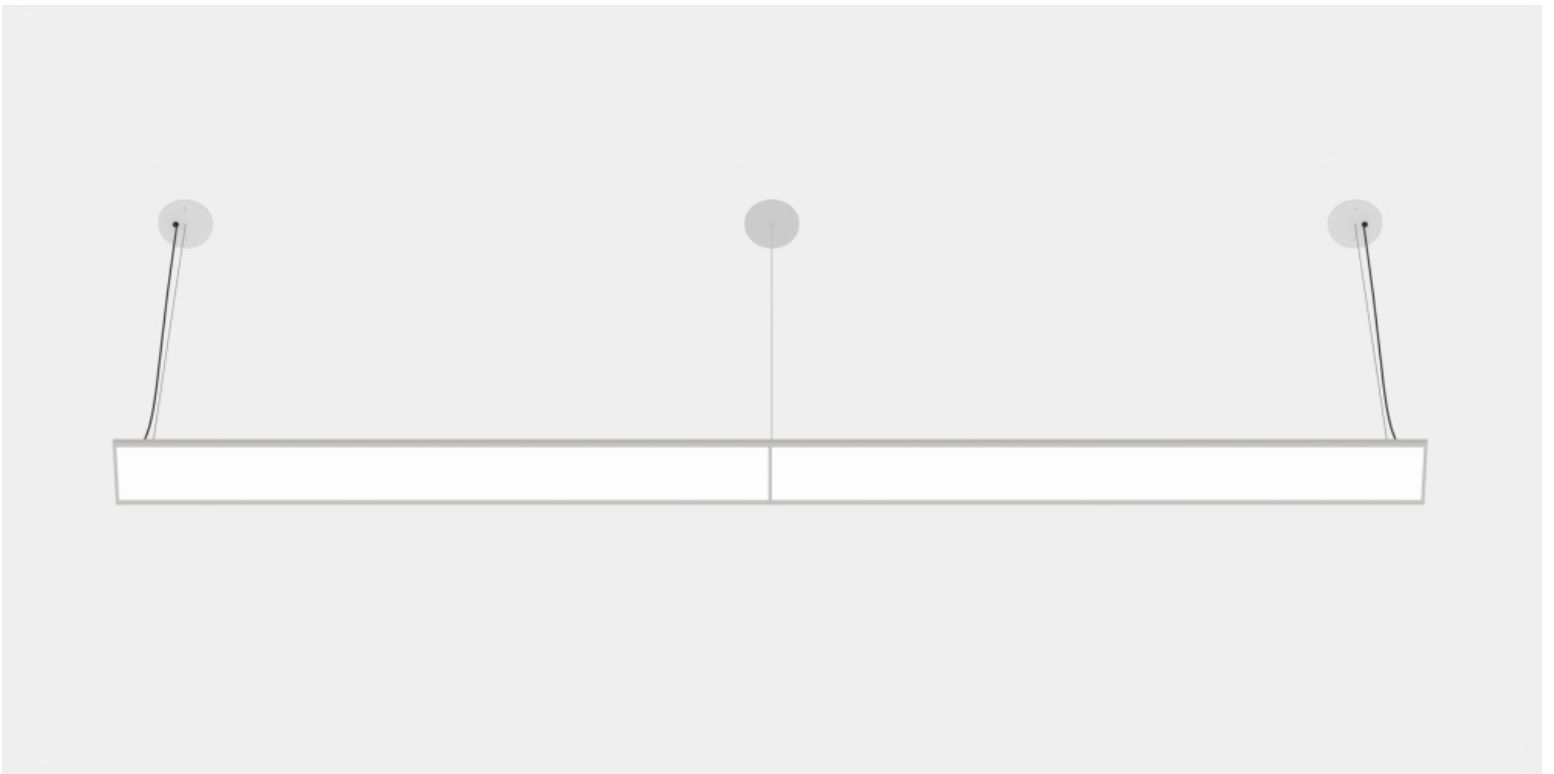
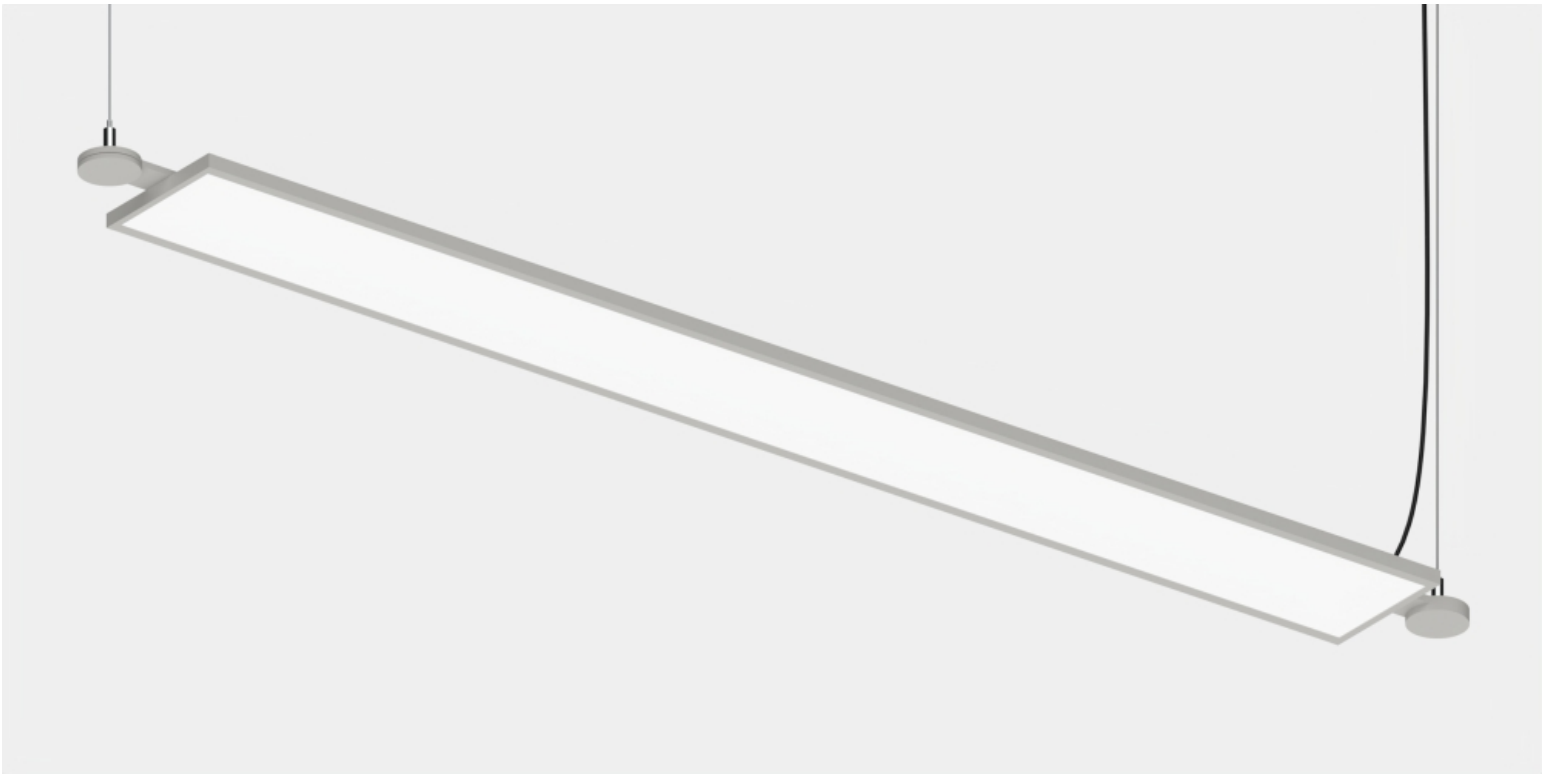
Straight Connector

Straight connector









### Driver Boxes

