

archlit reserves the right to make changes without prior notice. (02.05.2024)

AnCar 5 Pendant Double, direct /indirect, extruded aluminum minimal design lighting fixture with remote drivers (max 60' from fixture).

Powder coated finish or EPDM (black, colors upon request, with surcharge) sides and diffuser protected with film for even illumination at highest lumen output. 960 lumens delivered per foot, 12 w/foot. Dimmable and non dimmable.

Connectors can be adjustable, or fix. Straight runs can be produced with no connectors

AnC5PeDou

AnCar 5 Pendant Double

AnC5PeDou -

Lumen Output Direct

- 30HO - 3000 K 960 lumens / ft 12 w /ft
- 30 - 3000 K 640 lumens / ft 6 w /ft
- 35HO - 3500 K 960 lumens / ft 12 w /ft
- 35 - 3500 K 640 lumens / ft 6 w /ft
- 40HO - 4000 K 960 lumens / ft 12 w /ft
- 40 - 4000 K 640 lumens / ft 6 w /ft

Lumen Output Indirect

- 30HO - 3000 K 960 lumens / ft 12 w /ft
- 30 - 3000 K 640 lumens / ft 6 w /ft
- 35HO - 3500 K 960 lumens / ft 12 w /ft
- 35 - 3500 K 640 lumens / ft 6 w /ft

Form Factor

- Roun - Round EPDM (material like rubber)
- Only black Consult factory for Special colors (min order of colors is 1000 feet)
- Rect - Rectan
- Aluminum extrusion powder coated

Finish

- WH - White
- BK - Black
- CU - Custom Specify RAL color
- set up charges apply
- Only for Rectan Option

Dimming

- 4 - Dimmable 0-10v (4wires, 120 or 277 v)
- 1 - Non Dimmable 277v
- O - Non Dimmable 120v



Runs

- B - 2' nominal 23" LED module
- C - 3' nominal 35" LED module
- D - 4' nominal 47" LED module
- E - 5' nominal 59" LED module
- F - 6' nominal 71" LED module
- G - 7' nominal 83" LED module
- H - 8' nominal 95" LED module

Total Run: (0 ft 0 in)

Connectors Fixed

- Cf0 - No Connector Fixed
 - CfX - Connector Fixed X
 - CfT - Connector Fixed T
 - CfL - Connector Fixed L
 - Cf120 - Connector Fixed 120
- Specify qty of each in runs
Consult factory for special angles

Connectors Adjustables

- CaF0 - No Connector Adjustable
 - CaF1 - Connector Adjustable 1
 - CaF2 - Connector Adjustable 2
 - CaF3 - Connector Adjustable 3
 - CaF4 - Connector Adjustable 4
- Specify qty of each in runs
Adapt any angle in the field

No connectors

- Cn0 - No Connectors
- Only lineal runs

Canopy

- SQ - Square 4 1/4" x 4 1/4"
- RD - Round 4" x 4" jbox

Suspension Aircraft Cable

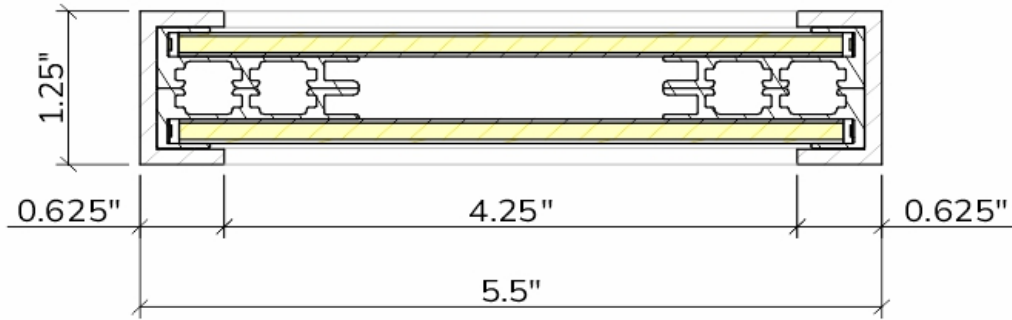
- 36 - 36" max
- 100 - 100"

Emergency

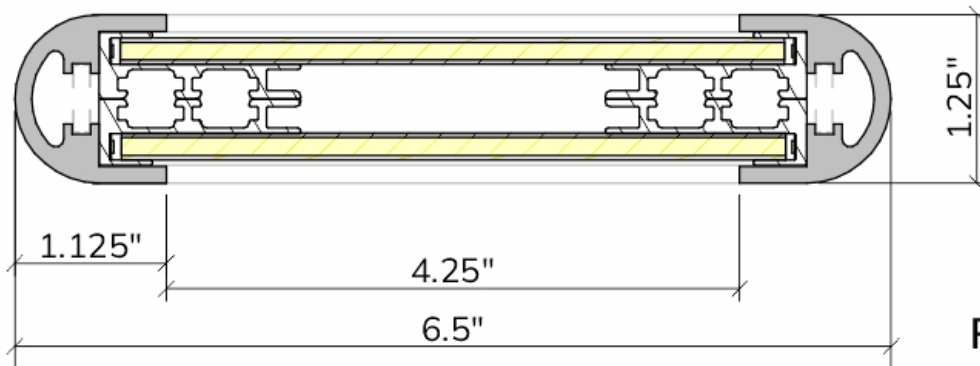
- 00 - No Emergency
- EM - Emergency module max. 4'

Notes:

Drivers are Remote. max segment length 8'
Max distance to drivers 60'
CRI more than 90. McAdam 3 bin
archlit will generate submittals of runs

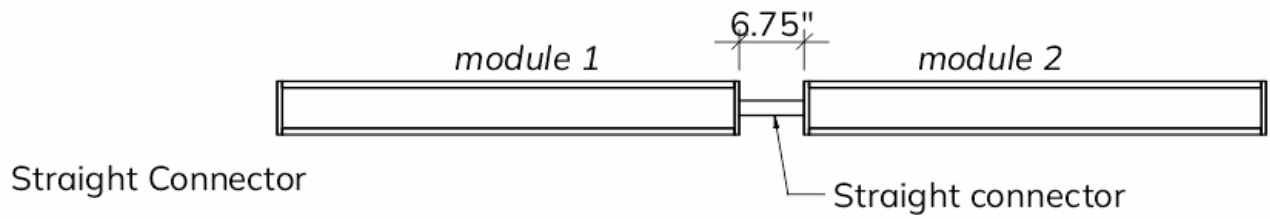
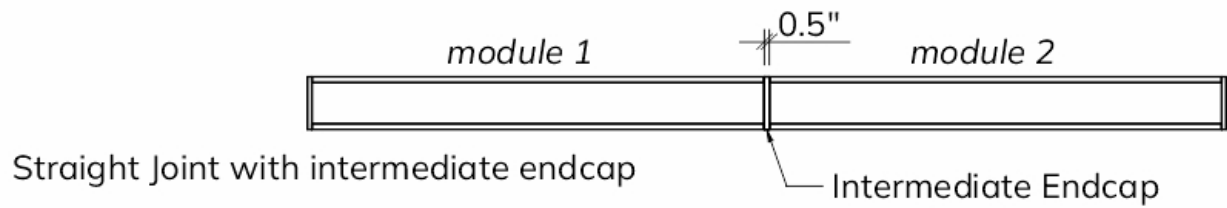
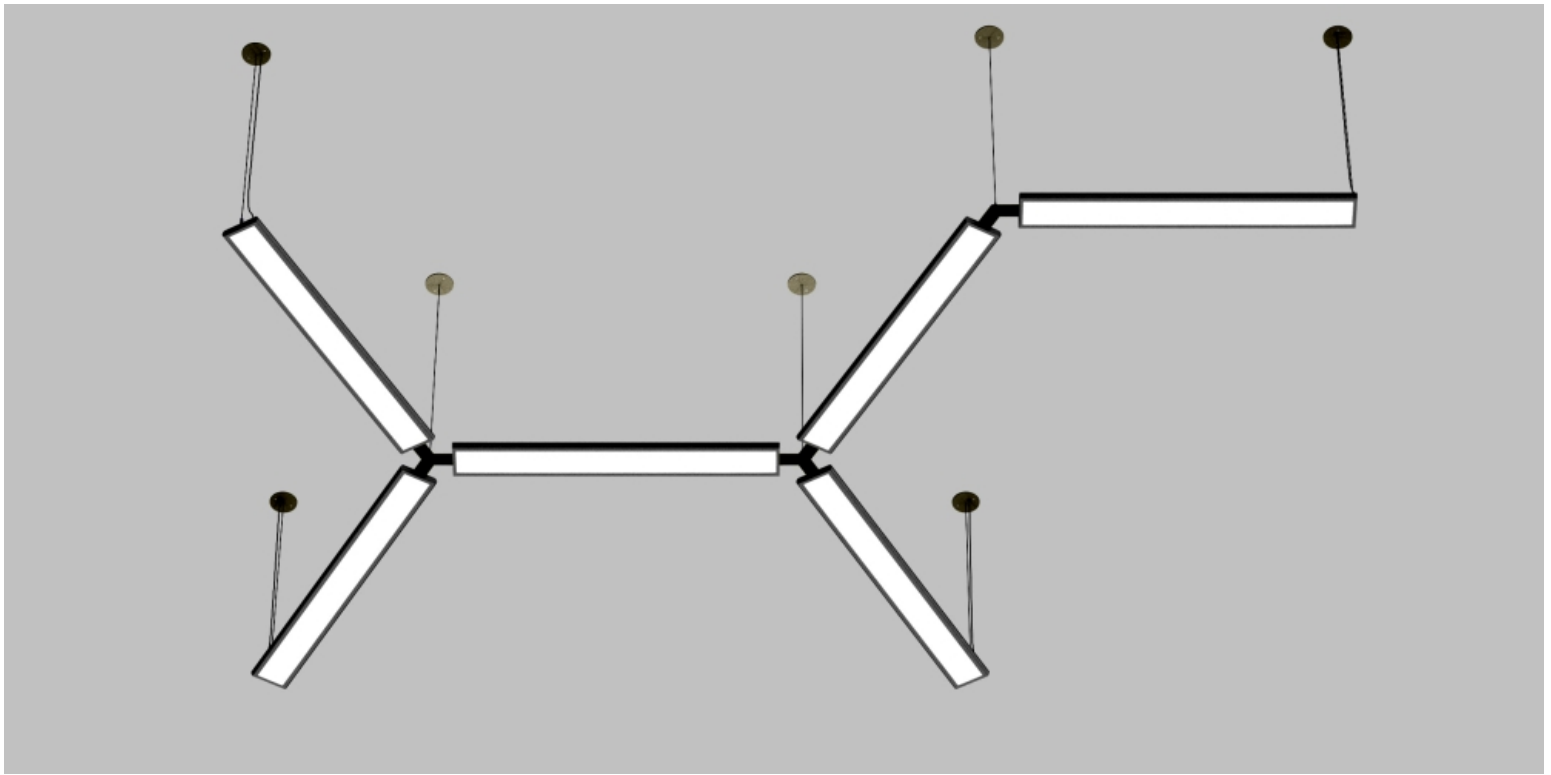


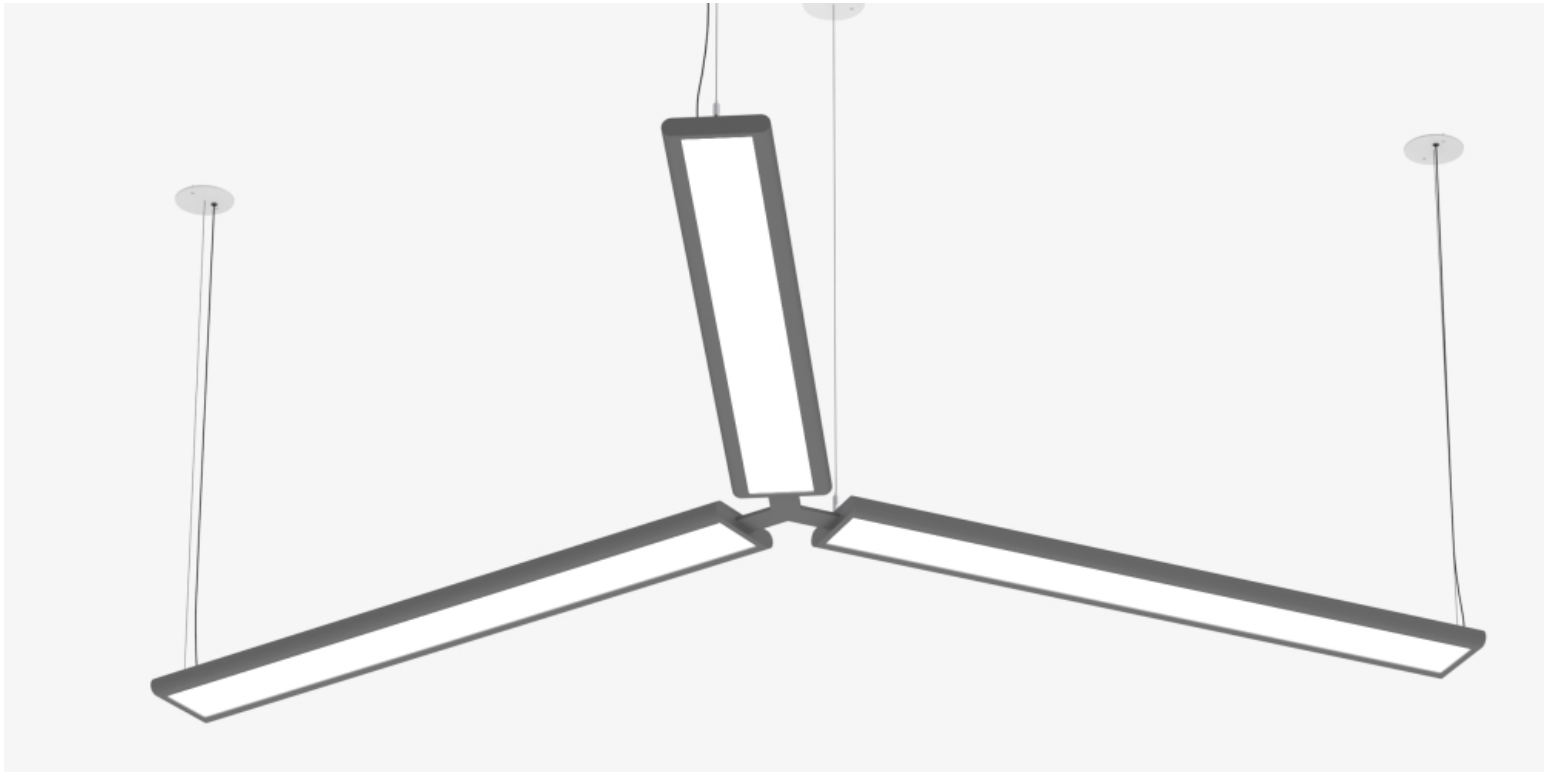
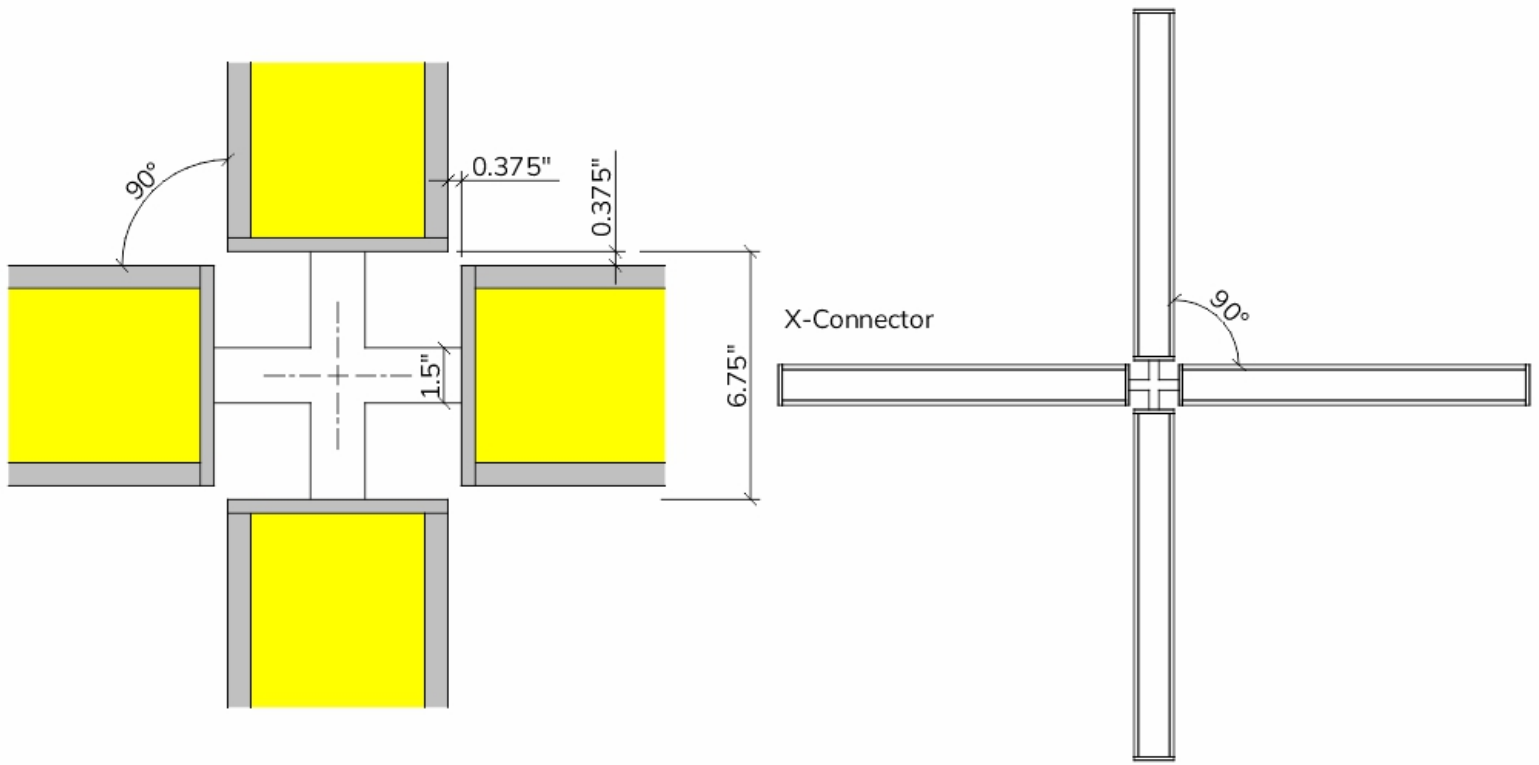
Rectan

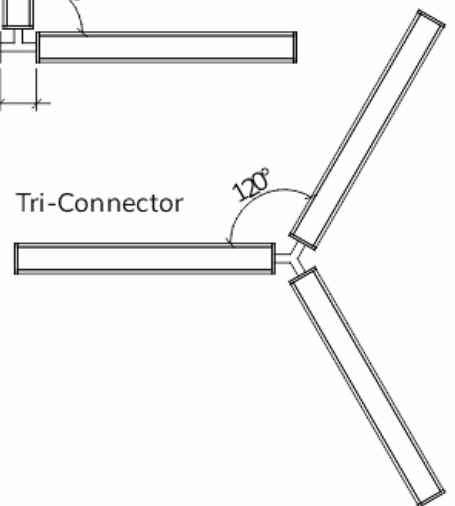
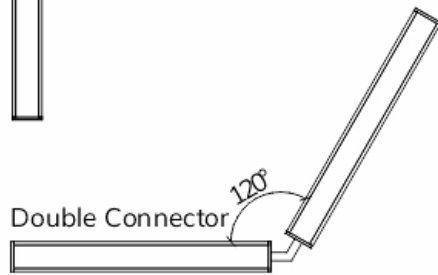
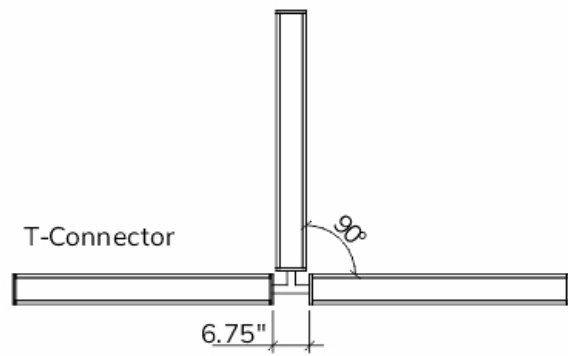
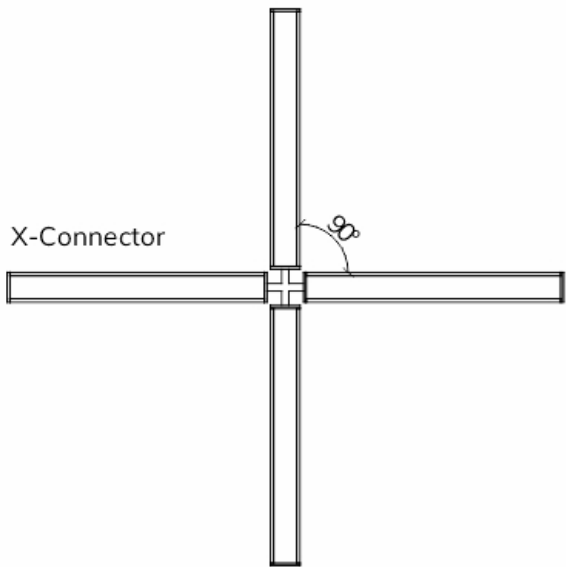
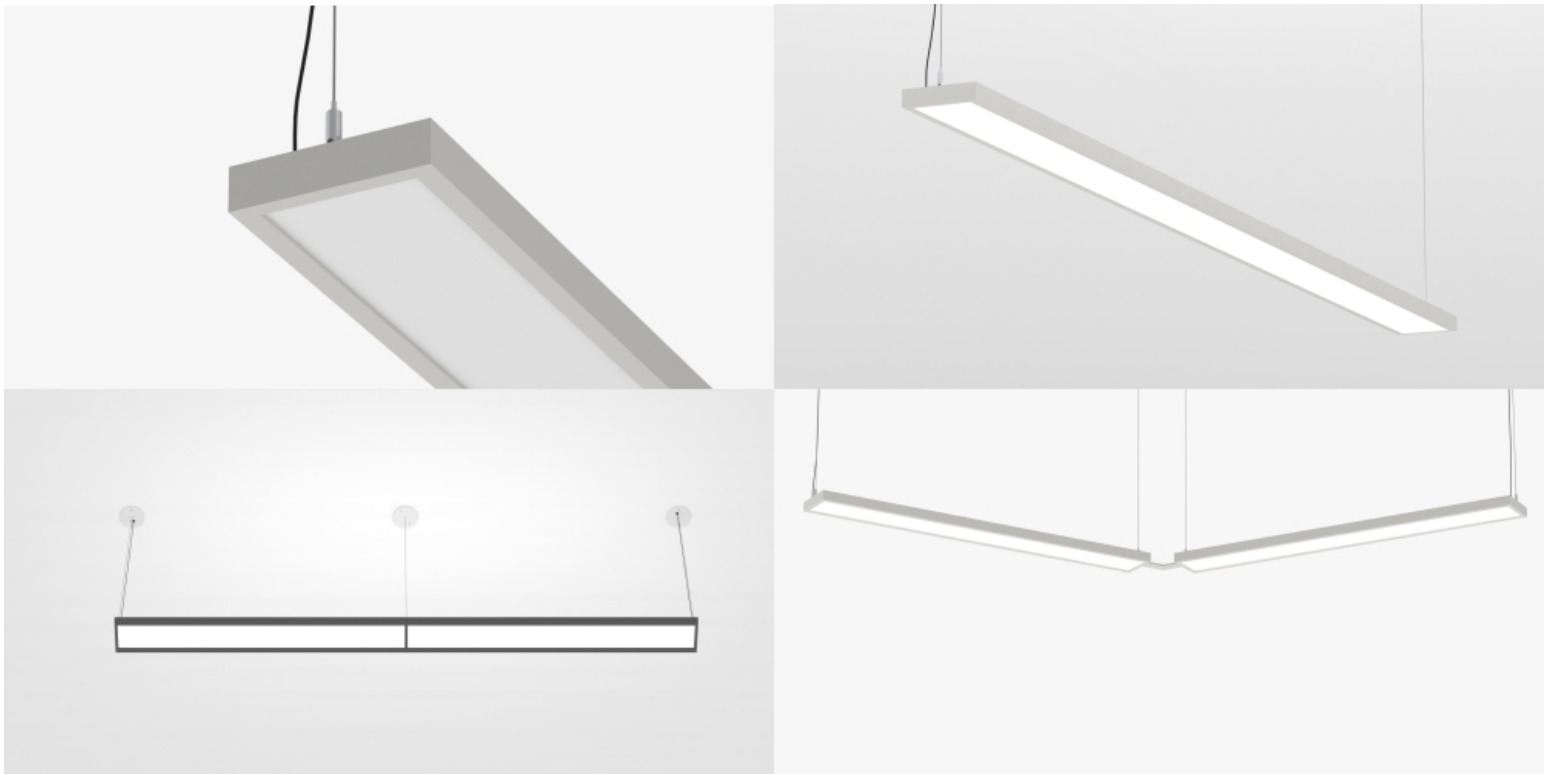


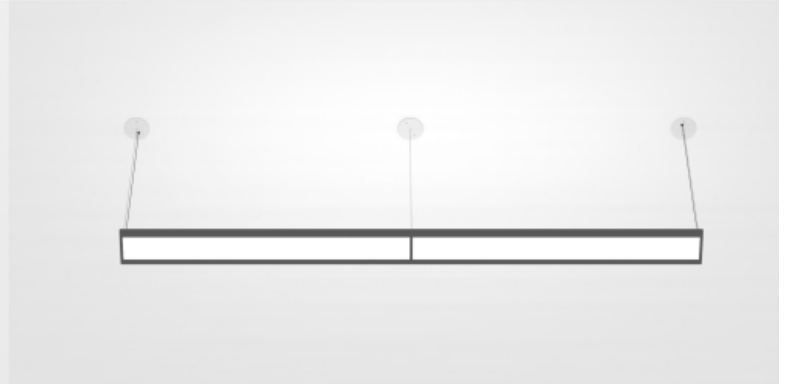
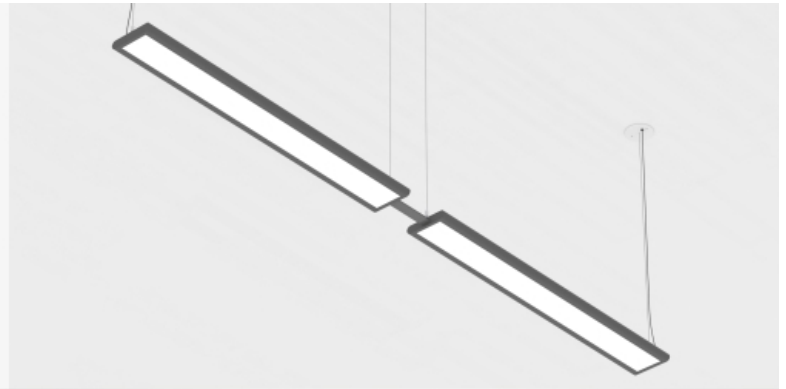
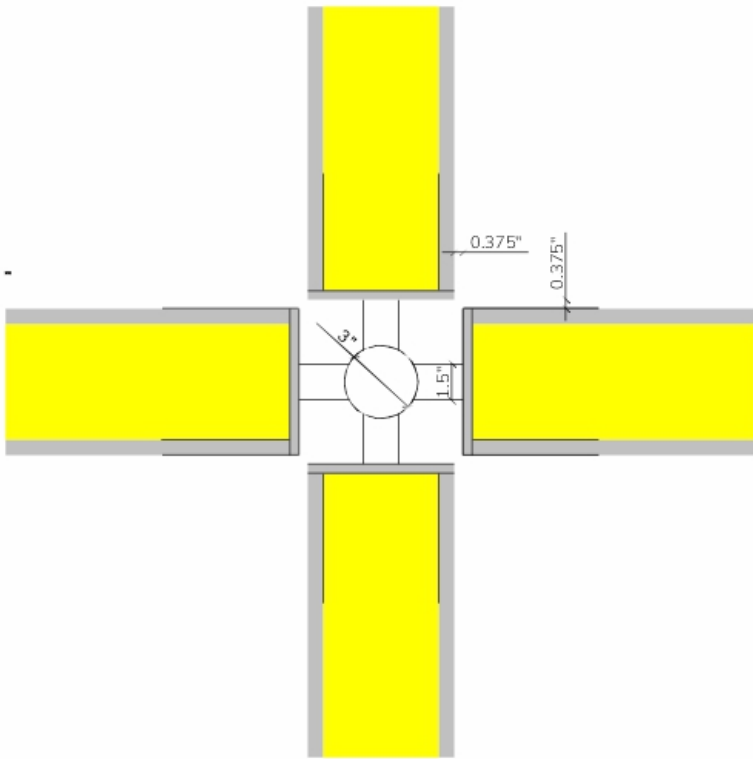
Round EPDM











Driver Boxes

