

archlit reserves the right to make changes without prior notice. (03.03.2022)



Pendant system in aluminum extrusion and acoustic panels for acoustic treatment of spaces. Acoustic panels in 1" (NRC of 0.90) and 2" (NRC of 0.95). Different configurations upon designer needs. Upholstery in different colors. Selection of custom provided by client possible. archlit will need to test selection to verify is workable Programmable drivers (at factory) allow different outputs. Magnets will regain position of acoustical panels Drivers are remote up to 80 feet.

AngSoPe
AngleSounds Pendant

Downlight Output

- 3017do - 3000 K 1200 lumens / ft 12 w /ft
- 3014do - 3000 K 1000 lumens / ft 10 w /ft
- 3011do - 3000 K 780 lumens / ft 7.5 w /ft
- 3008do - 3000 K 350 lumens / ft 5.5w /ft
- 3005do - 3000 K 500 lumens / ft 3.1 w /ft

Low Output

- 3517do - 3500 K 1200 lumens / ft 12 w /ft
- 3514do - 3500 K 1000 lumens / ft 10 w /ft
- 3511do - 3500 K 780 lumens / ft 7.5 w /ft
- 3508do - 3500 K 560 lumens / ft 5.5w /ft
- 3505do - 3500 K 350 lumens / ft 3.1 w /ft

Low output

WhTudo - White tuning 2700K @ 1050 lumens/foot and 6500k @1200 lumens/foot 12.5 watt/foot

Use of programmable drivers allow different outputs (lumen output and load) in fix color temperature versions

Downlight Lighting modules

- Dlig1 - 1 Lighting Module
 - Dlig2 - 2 Lighting Module
- Multiply output by 2 from downlight Output selected

Uplight Output

- NoUp - No Uplight
- 3017up - 3000 K 1200 lumens / ft 12 w /ft
- 3014up - 3000 K 1000 lumens / ft 10 w /ft
- 3011up - 3000 K 780 lumens / ft 7.5 w /ft
- 3008up - 3000 K 560 lumens / ft 5.5w /ft
- 3005up - 3000 K 350 lumens / ft 3.1 w /ft
- 3517up - 3500 K 1200 lumens / ft 12 w /ft
- 3514up - 3500 K 1000 lumens / ft 10 w /ft
- 3511up - 3500 K 780 lumens / ft 7.5 w /ft
- 3508up - 3500 K 560 lumens / ft 5.5w /ft
- 3505up - 3500 K 350 lumens / ft 3.1 w /ft

WhTuUp - White tuning 2700K @ 1050 lumens/foot and 6500k @1200 lumens/foot 12.5 watt/foot

All Uplight versions with light will have a transparent diffuser

Use of programmable drivers allow different outputs (lumen output and load) in fix color temperature versions



Finish

WH - White
 BK - Black
 Cu - Custom color
 Specify RAL color
 Metal parts, canopy, and corner joints

Finish of Fabric

CUFa - Acoustical material
 Please select chart number Colors can have variations depending on screen settings
 Client - Custom Standard or by client Fabric
 Provided by client. archlit will need samples To study possibility of work-ability with panels.
 Custom Standard, specify color from chart at Custom finish

Thickness of panels

Th1 - 1" thickness with NRC 0.9
 Th2 - 2" thickness with NRC 0.95

Dimming

O - Non dimmable 120v
 1 - Non dimmable 277v
 4 - Dimmable 0-10v (4wires, 120 or 277 v)

Runs

B - 2' nominal 23" LED module 11 5/8"
 C - 3' nominal 34 LED module 23 5/8"
 D - 4' nominal 44 1/2" LED module 34 1/8"
 E - 5' nominal 56 1/2" LED module 46 1/8"
 F - 6' nominal 67" LED module 56 5/8"
 G - 7' nominal 79" LED module 68 5/8"
 H - 8' nominal 89 1/2" LED module 79 1/8"

Total Run: (0 ft 0 in)
 Special lengths consult factory
 Factory will produce submittals for runs for approval

Canopy

RD - Round 4 1/4"
 SQ - Square Plate 4 1/4" x 4 1/4"

Suspension Aircraft Cable

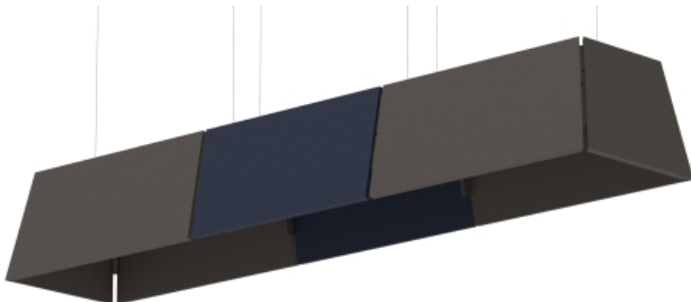
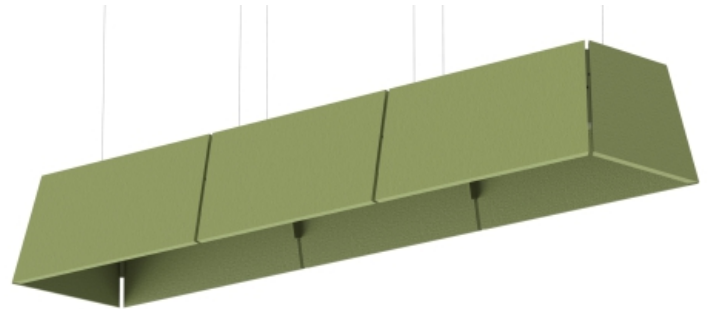
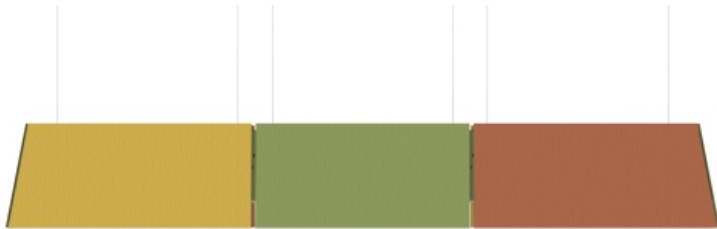
36 - 36" max
 100 - 100" max

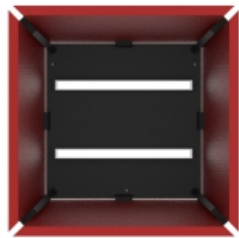
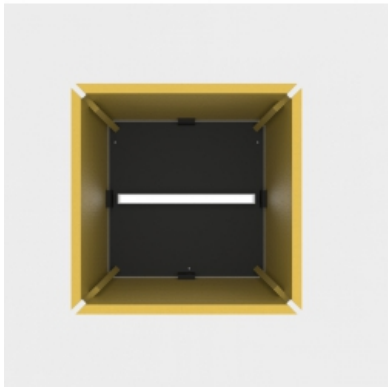
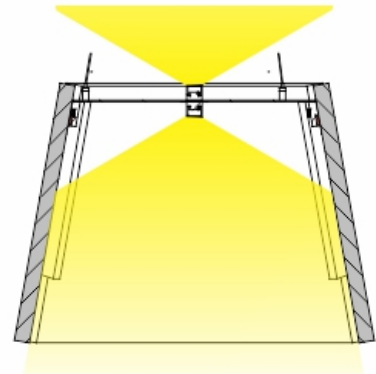
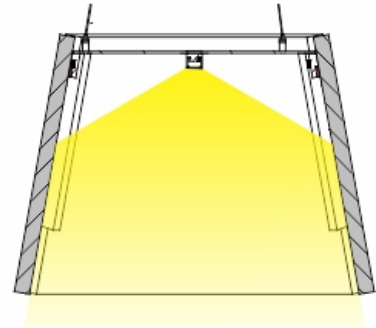
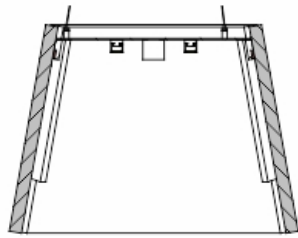
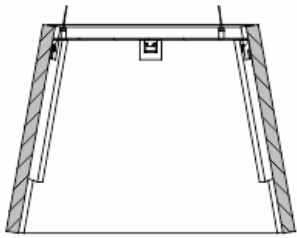
Emergency

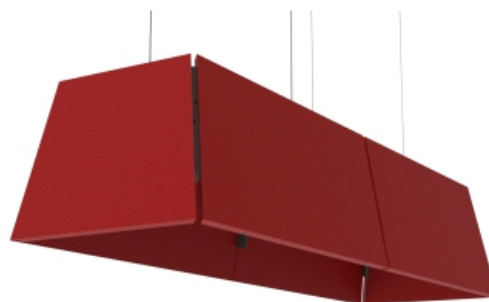
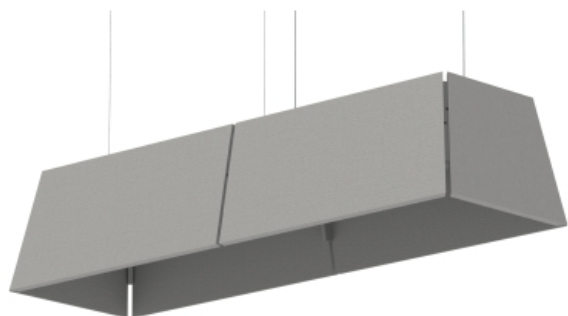
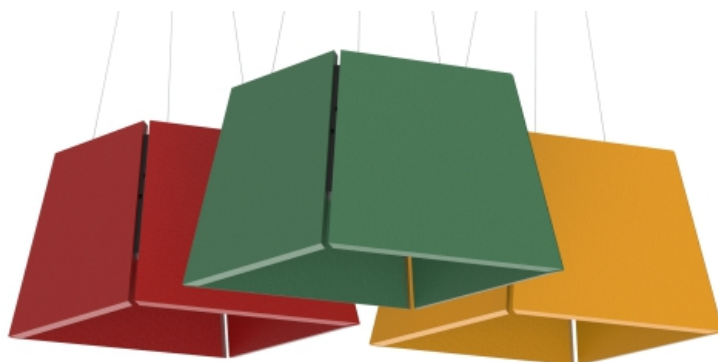
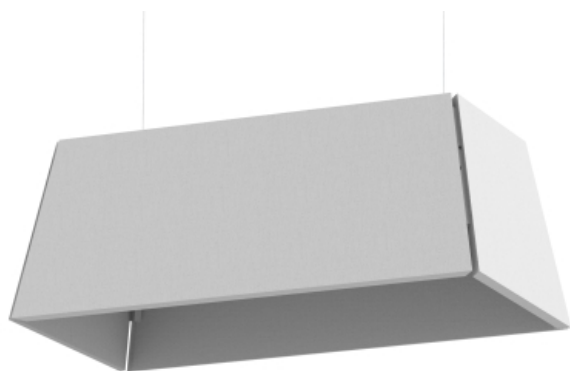
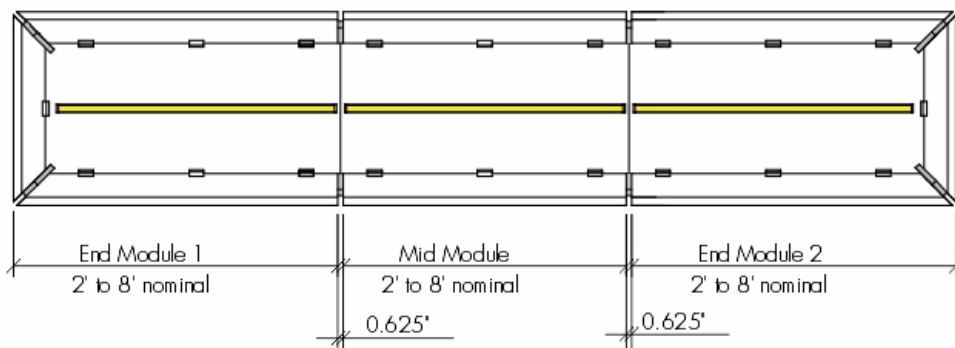
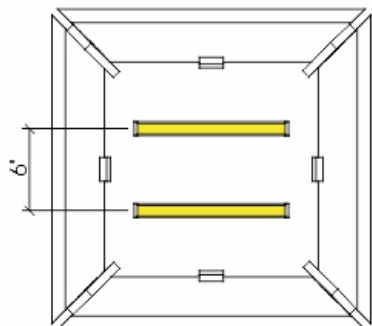
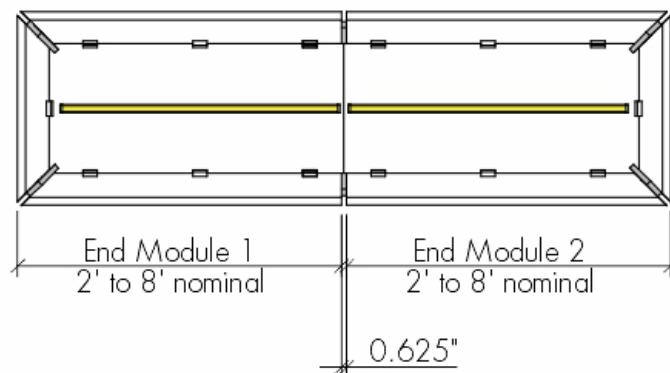
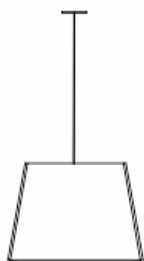
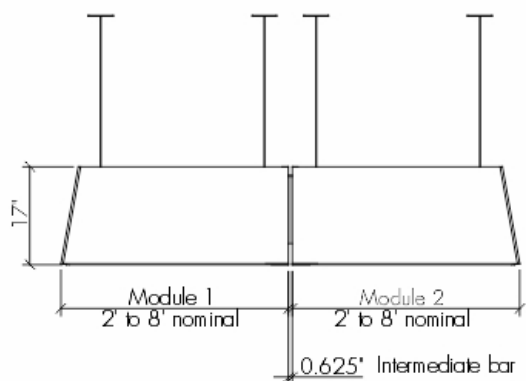
OO - No Emergency
 EM - Emergency
 Specify qty only if Emergency
 Specify quantity of 4' nominal in runs
 Emergency and driver remote, up to 50"
 Use BWG 18 for connections
 Max 4 feet Emergency per module
 Specify qty of emergency per run

Notes:

McAdam 3 step binning
 More than 90 CRI
 Drivers remote
 Max distance to drivers 80'
 1" panels NRC 0.90
 2" panels NRC 0.95
 archlit will produce submittals, all measurements possible to change







Standard FR70I Acoustic fabric Options



Yellow
744



Chartreuse
734



Fir
743



Leaf
755



Dune
749



Sunshine
797



Lime
721



Teal
742



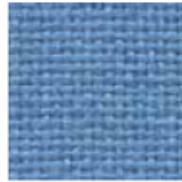
Green Neutral
402



Stream
757



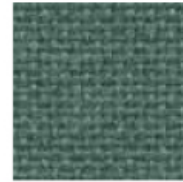
Orange
746



Sky
740



Sapphire
745



Blue Spruce
467



Verte Papier
561

Proudly woven in the USA

Flammability (ASTM E84)
Class I or A

While we make every effort to make sure the colors you see here are accurate, colors may vary depending on your screen



Cardinal
738



Cobalt
420



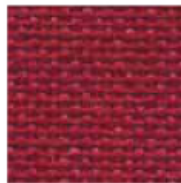
Baltic
153



Wedgewood
150



Bayberry
486



Red
799



Iris
798



Blue Plum
553



Ultramarine
470



Aquamarine
381



Claret Accent
418



Deep Burgundy
556



Black
408



Chocolate
793



Medium Grey
298

Acoustic capabilities by panels. Fabric helps to achieve performance.



Content

100% post-consumer recycled polyester



Wheat
130



Bone
748



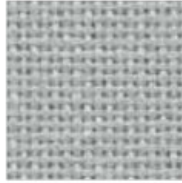
Buff
460



Eggshell
144



White
224



Eucalyptus
468



Desert Sand
758



Apricot Neutral
404



Quartz
380



Pearl
481



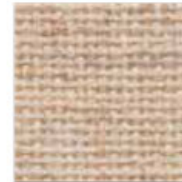
Blue Papier
539



Coin
794



Cherry Neutral
400



Vanilla Neutral
403



Opal
394



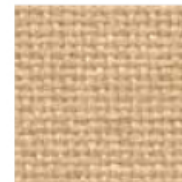
Crystal Blue
175



Blue Neutral
401



Cinnabar
422



Straw
747



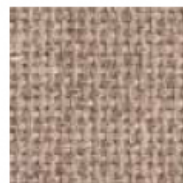
Silver Papier
538



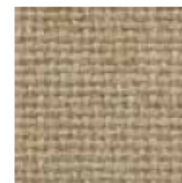
Steel Grey
471



Grey Mix
238



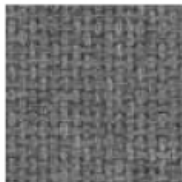
Pumice
423



Light Moss
754



Cement Mix
750



Flannel
795



Amethyst
424



Moleskin
796



Earth
792



Silver Neutral
406

Cleaning Code

Standard Care Label W-S.
Clean with water based cleaning agents, foam or pure, water free solvents. Vacuuming or light brushing is recommended to prevent dust and soil buildup.

NRC panels 1" = 0.85

NRC panels 2" = 1.15

Independent of fabric



Driver Boxes

