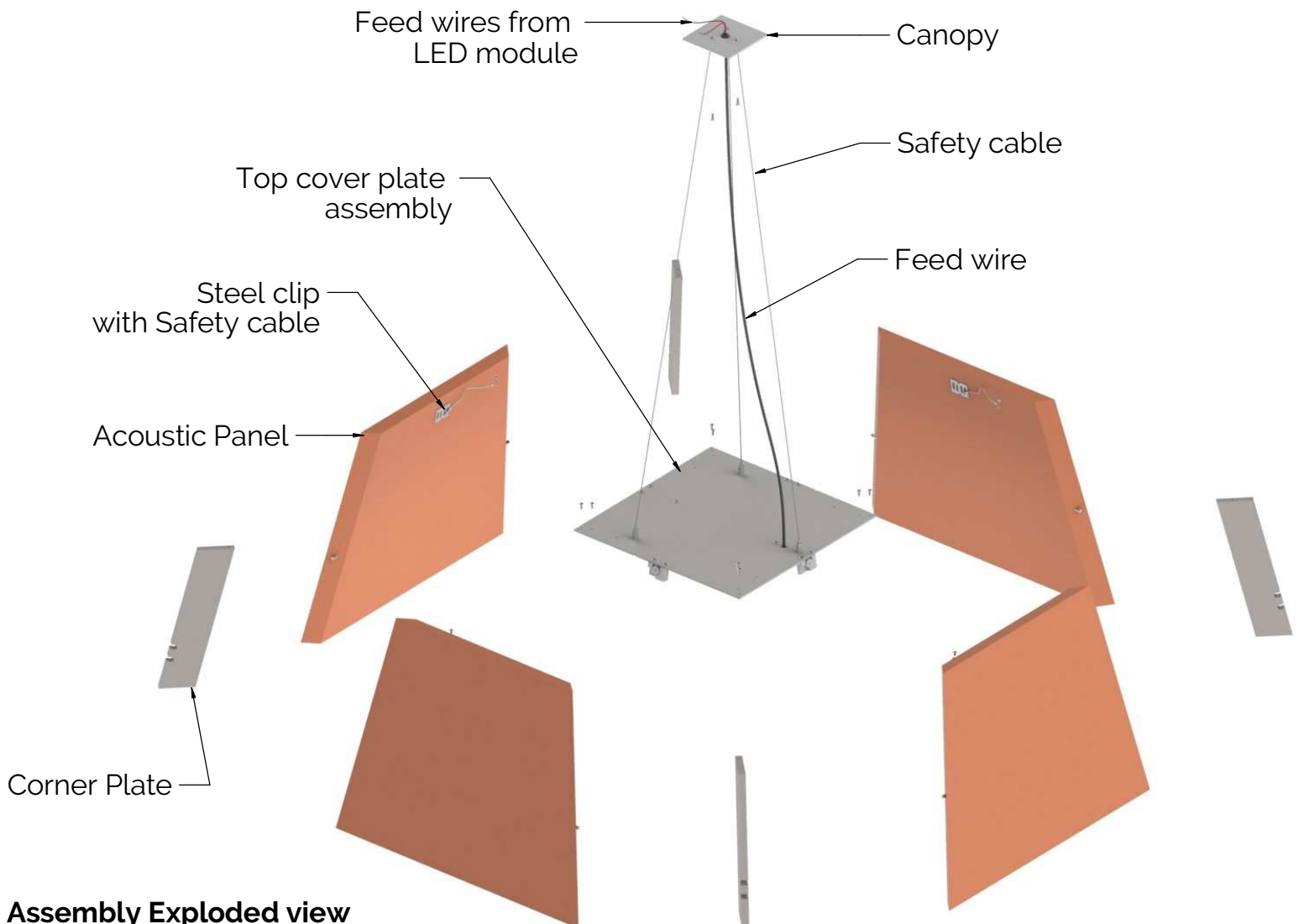


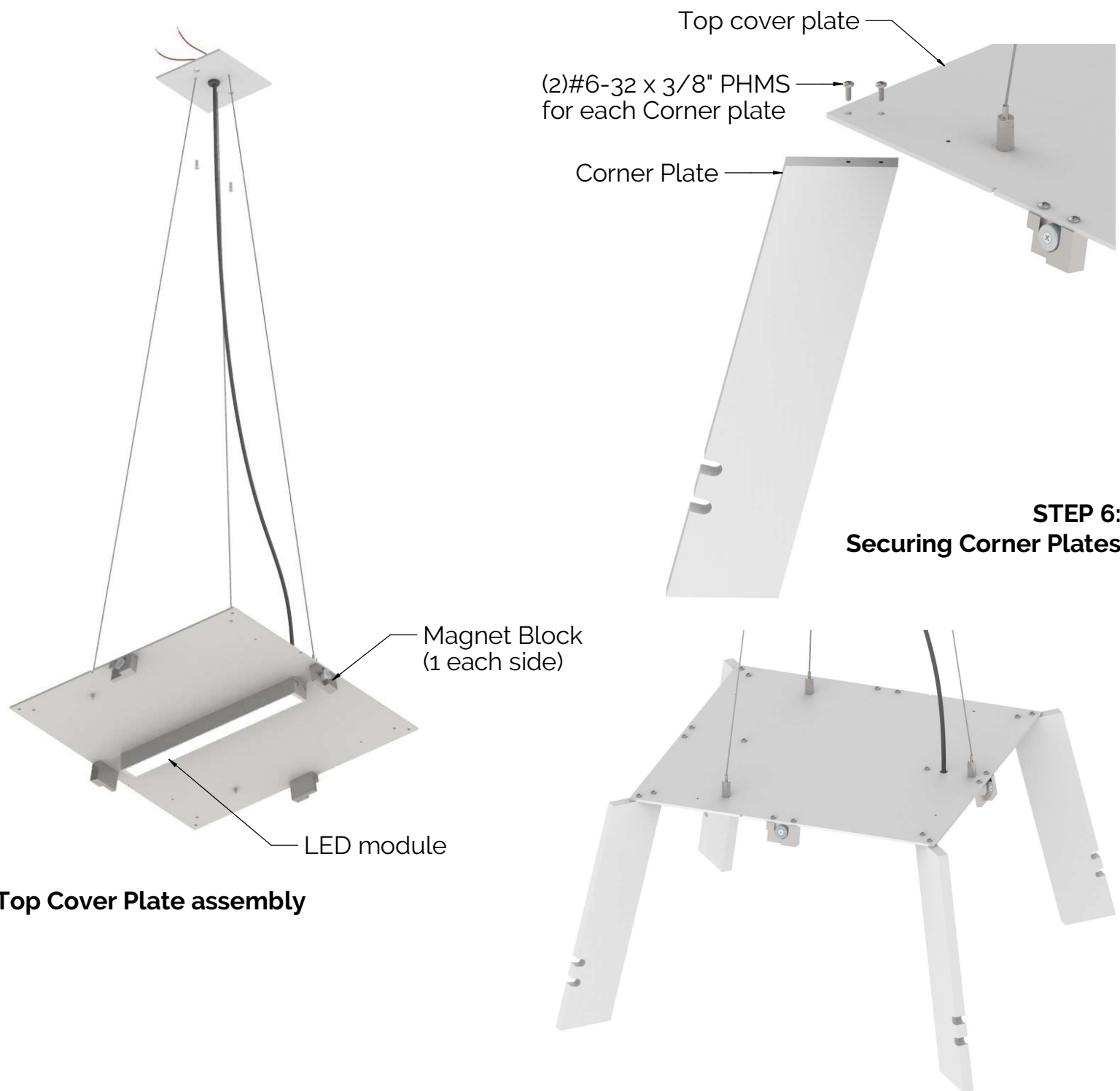
PLEASE READ THESE INSTRUCTIONS PRIOR TO INSTALLING THIS PRODUCT

CAUTION – RISK OF FIRE. THIS PRODUCT MUST BE INSTALLED IN ACCORDANCE WITH THE APPLICABLE INSTALLATION CODE (NEC 411) BY A PERSON FAMILIAR WITH THE CONSTRUCTION AND OPERATION OF THE PRODUCT AND HAZARDS INVOLVED.

1. Disconnect electrical power from lighting circuit before installation.
2. Make sure LED drivers, Linear LED Modules and all other fixture components are present.
3. This installation assumes Class 2 two conductor wires have been run from fixture mount location to LED driver enclosure location.
4. LED driver enclosure must be installed in an accessible, dry and well ventilated location using the screw holes provided in enclosure.
5. Make wire connection from LED driver to two conductor Class 2 wire, running in ceiling with wire nuts (not included).



Assembly Exploded view

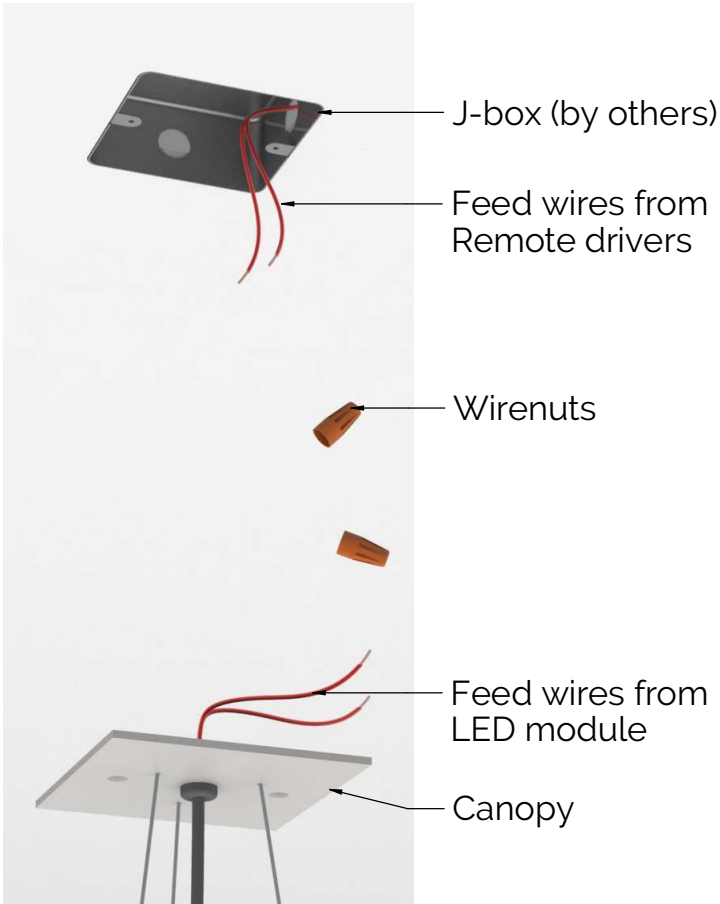


Top Cover Plate assembly

6. Connect each Corner plate (Total 4 qty.) to Top cover plate corners using (2)#6-32 x 3/8" Phillips PHMS. Make sure slotted face of Corner plate is positioned outwards.
7. Make wire connection at J-box between feed wires from remote driver and feed wires from LED module above canopy using wirenuts provided.
8. Secure fixture canopy to J-box at ceiling using (2)#8-32 x 1" Phillips FHMS. Make sure fixture is well secured to ceiling and there are no pinched or exposed wires.

Angle Sounds

Installation Instructions

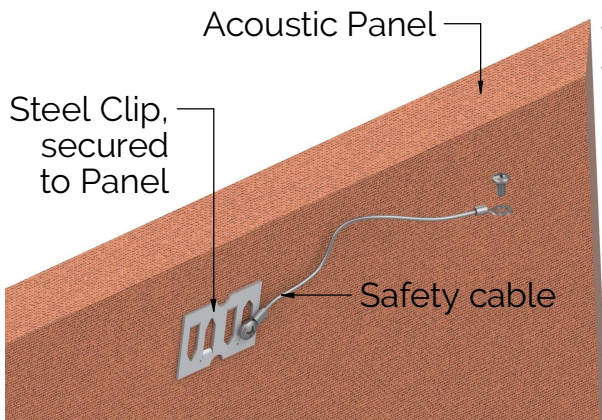


STEP 7: Making wire connection

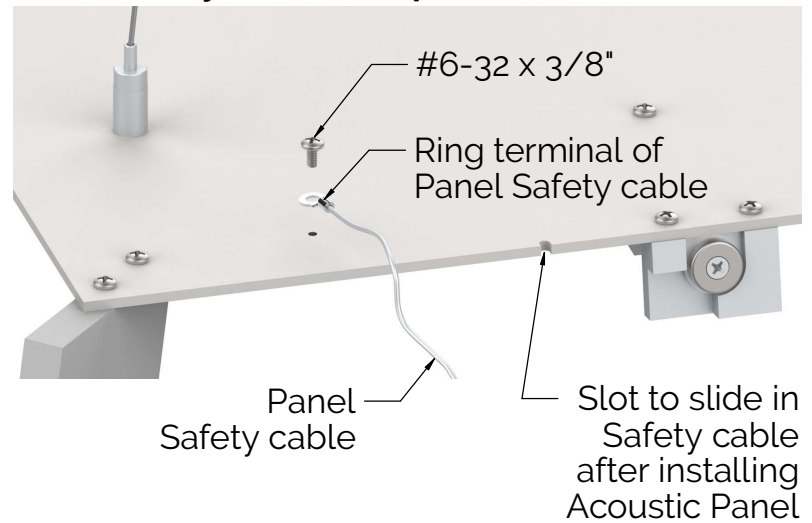
#8-32 x 7/8" FHMS



STEP 8: Securing fixture/canopy to J-box



STEP 9: Securing Panel Safety cable to Top Cover Plate

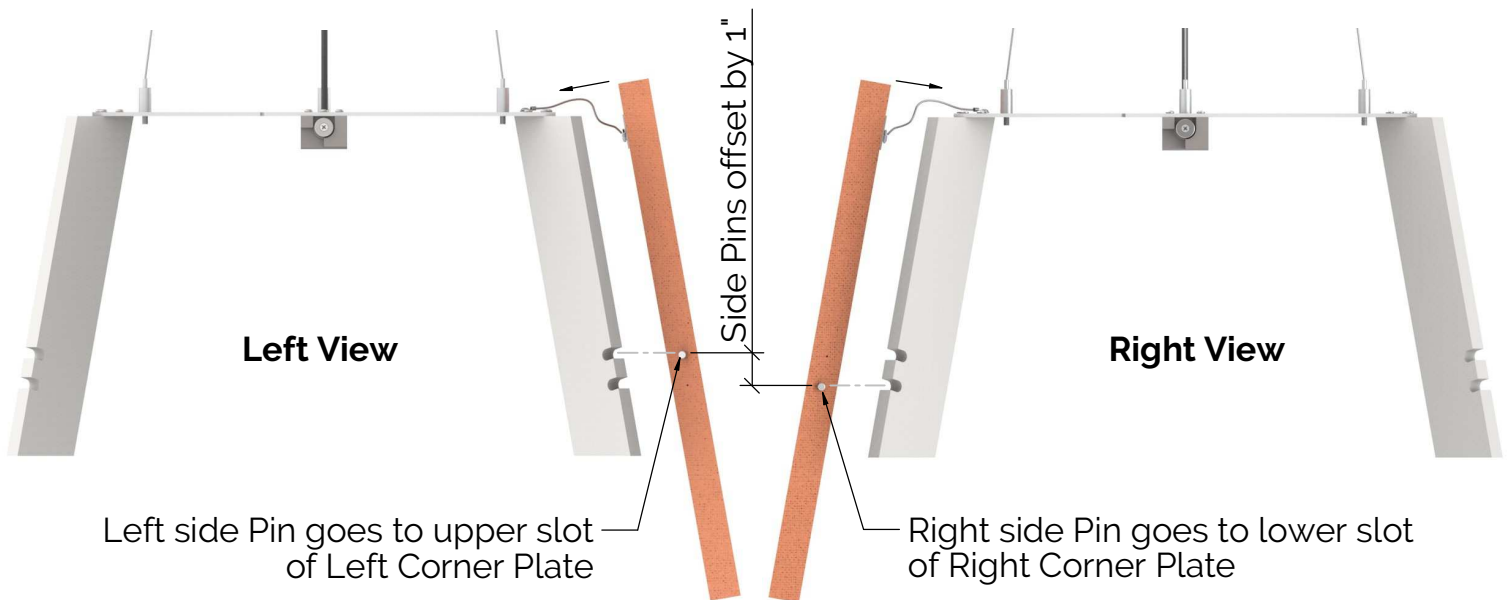


9. Secure each Acoustic Panel safety cable ring terminal to Top cover plate using #6-32 x 3/8" Phillips PHMS.



STEP 10: Securing Acoustic Panel to Top cover plate assembly

Steel Clip
on inside face of
Acoustic Panel



Left View

Right View

Side Pins offset by 1"

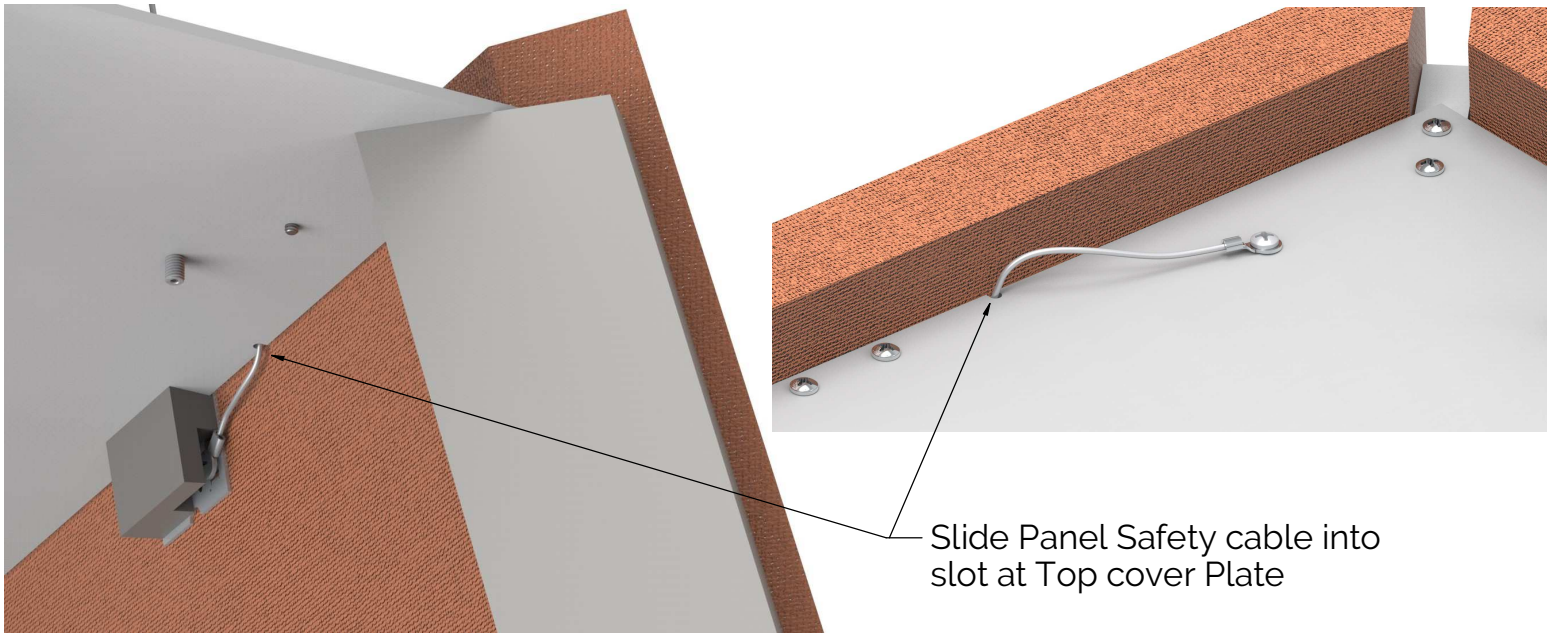
Left side Pin goes to upper slot
of Left Corner Plate

Right side Pin goes to lower slot
of Right Corner Plate

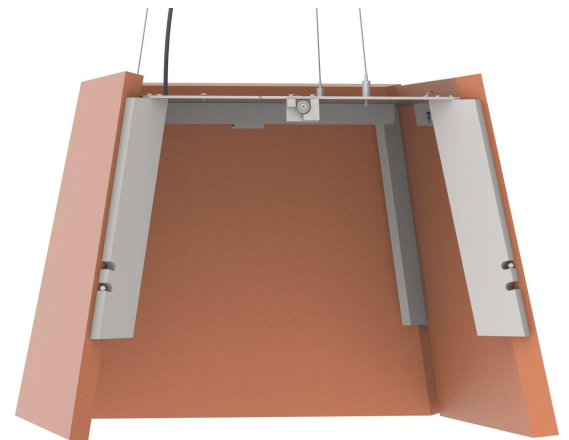
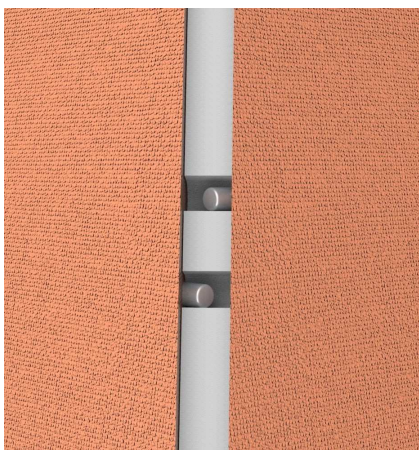
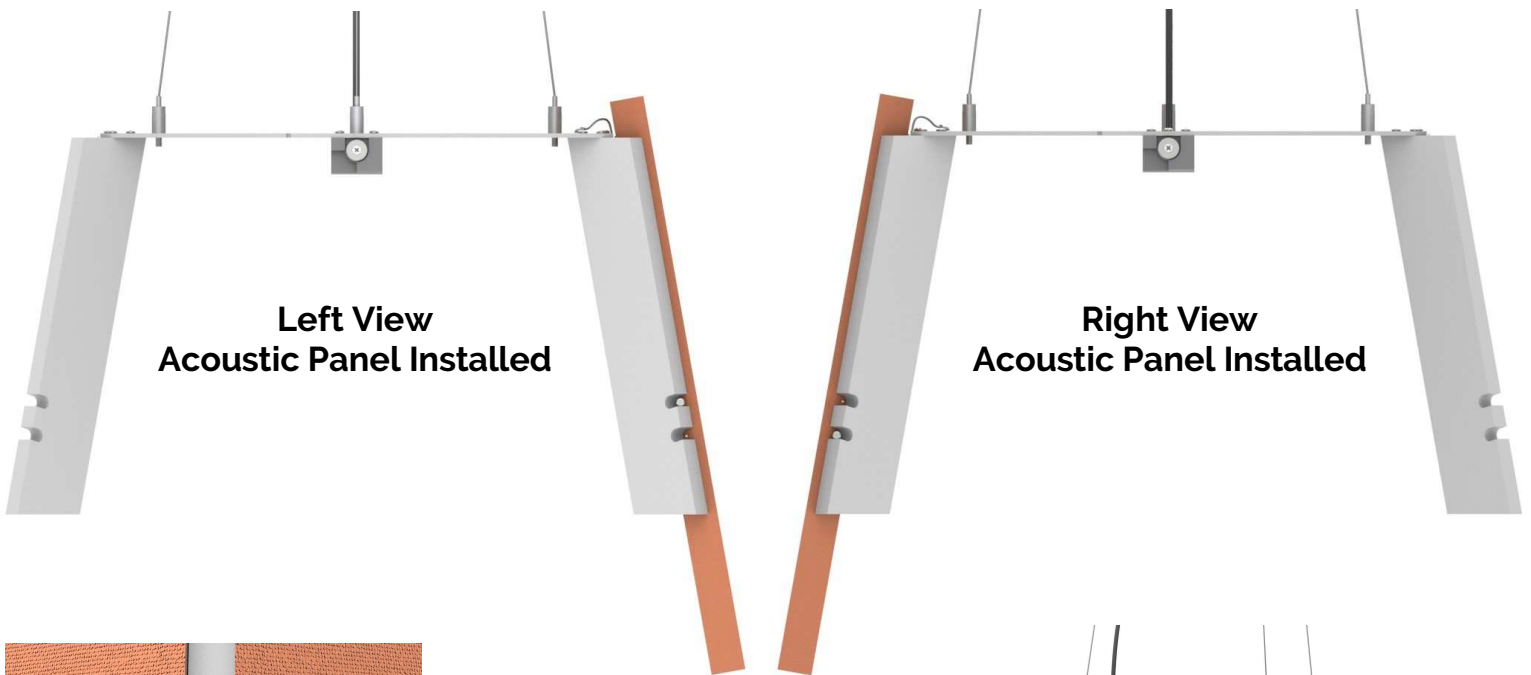
10. Align each Acoustic Panel Side Pins to slots at side Corner plates and snap the Steel clip at top of panel to Magnet at fixture frame. This should secure Acoustic panel to fixture frame. Side pins are offset by 1" therefore on Left side it slides to upper slot and on Right side it slides to lower slot. Make sure Safety cable does not interfere between Steel clip and Magnet.



Level fixture height and
cable length by pushing
gripper plunger down to
release cable.

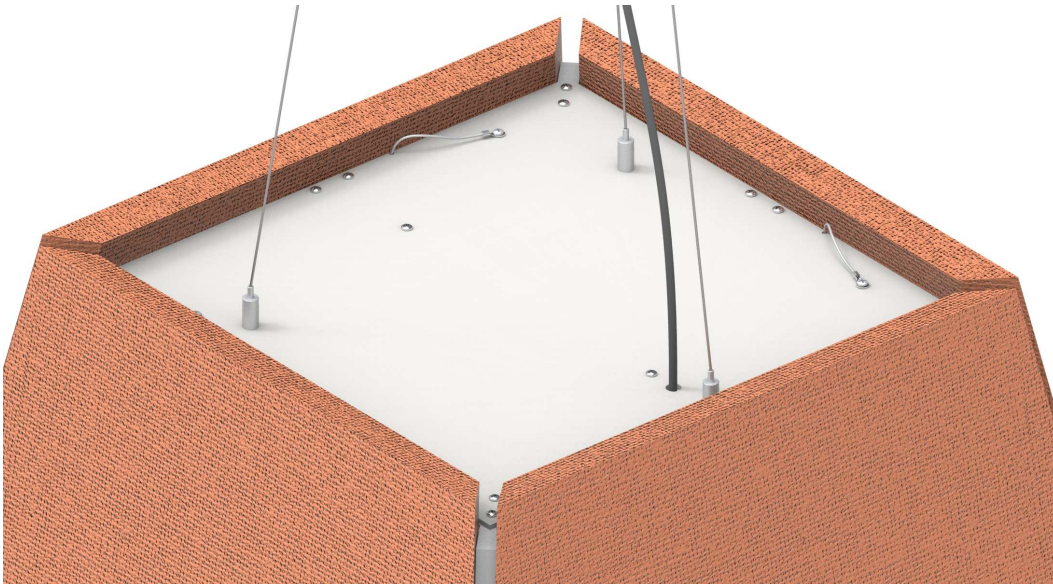


11. From top slide Panel Safety cable into provided edge slot at Top Cover plate and pull cable up as much as possible without disengaging Acoustic panel.



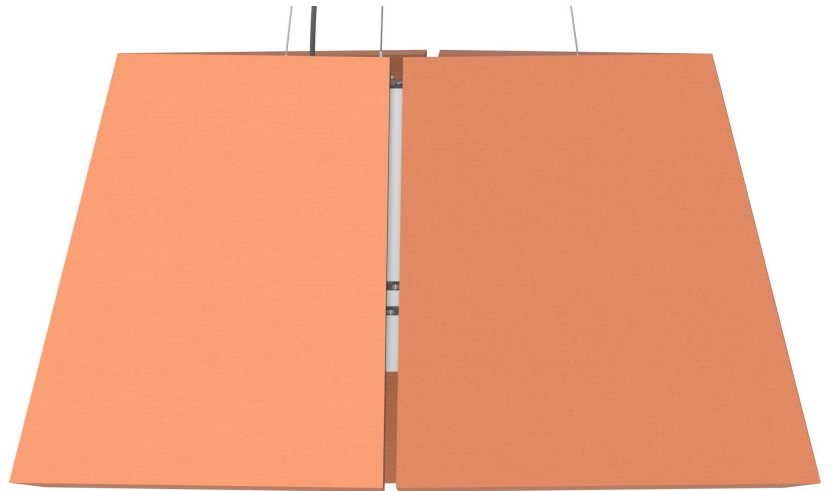
Angle Sounds

Installation Instructions

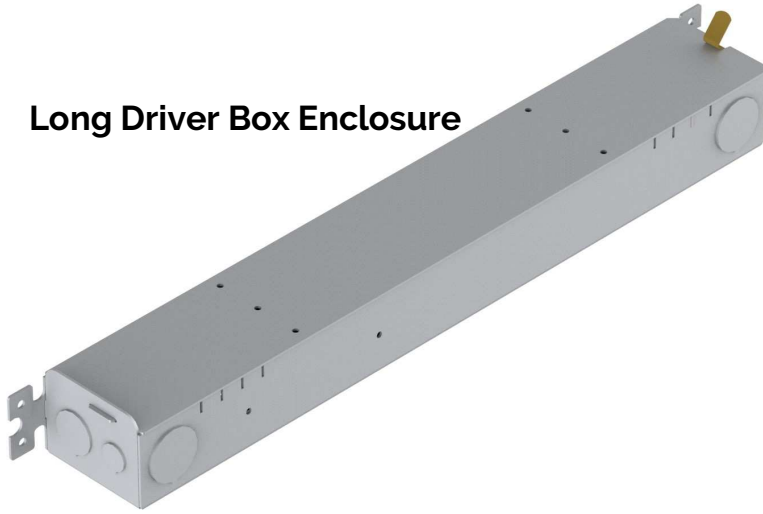


12. Make Mains power connection to LED driver using provided connector inside driver enclosure.
Make sure Mains power Ground wire is secured to green ground wire inside driver enclosure.

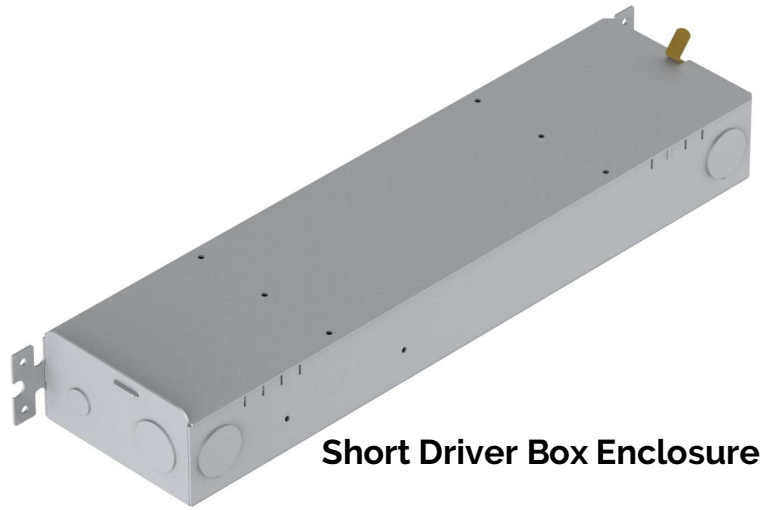
13. Restore Main power.



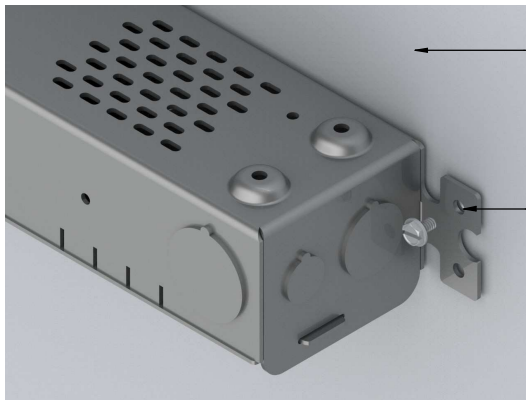
Long Driver Box Enclosure



Short Driver Box Enclosure



Installing Driver enclosure



Driver enclosure mounting surface

Driver enclosure, should be installed with flanges secured to mounting surface as shown

Secure Driver box enclosure flange to remote mounting surface by a screw at each end of enclosure



Horizontal mounting

Vertical mounting

