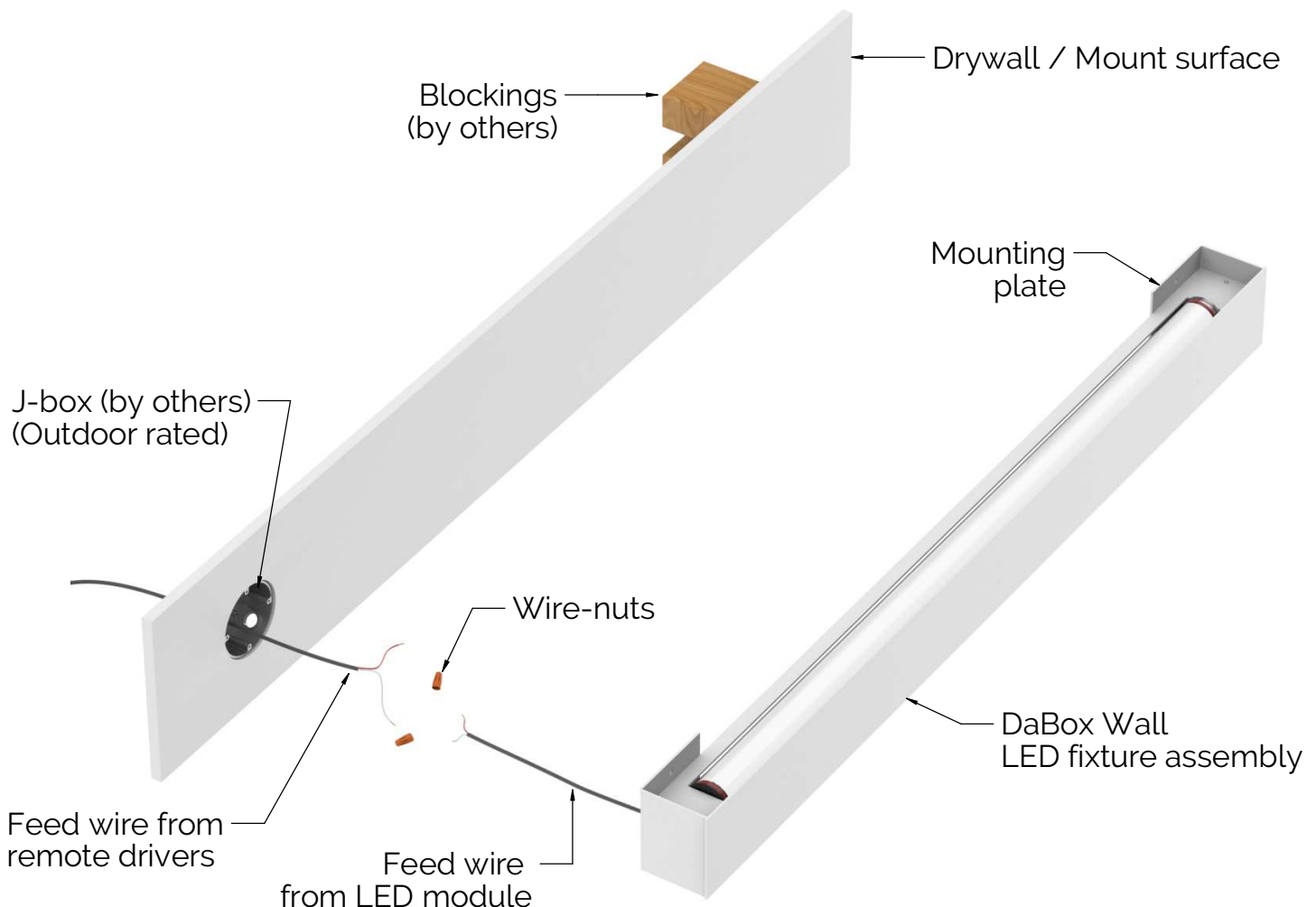


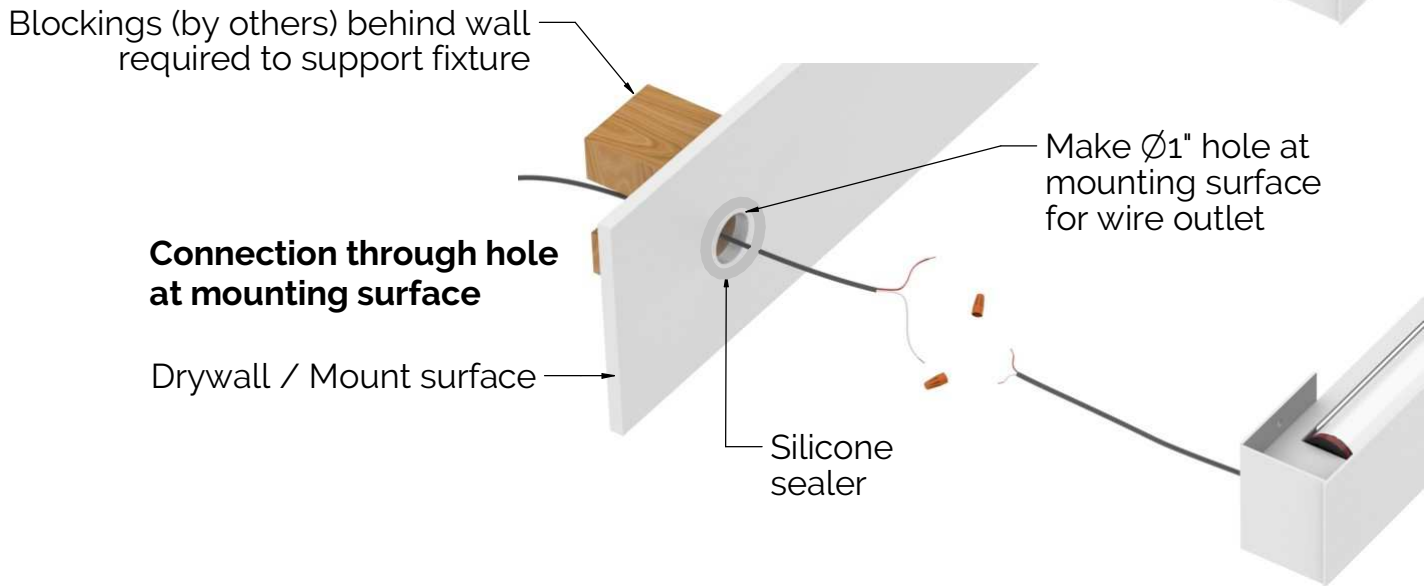
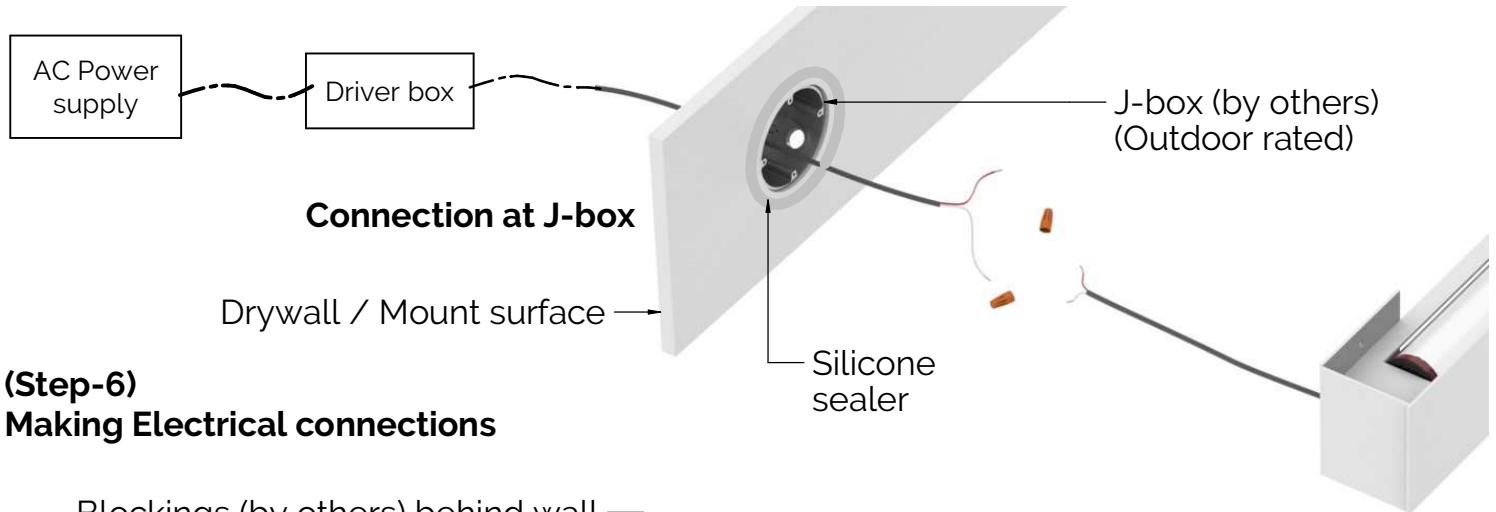
PLEASE READ THESE INSTRUCTIONS PRIOR TO INSTALLING THIS PRODUCT

CAUTION – RISK OF FIRE. THIS PRODUCT MUST BE INSTALLED IN ACCORDANCE WITH THE APPLICABLE INSTALLATION CODE (NEC 411) BY A PERSON FAMILIAR WITH THE CONSTRUCTION AND OPERATION OF THE PRODUCT AND HAZARDS INVOLVED.

1. Disconnect electrical power from lighting circuit before installation.
2. Make sure LED drivers, Linear LED Modules and all other fixture components are present.
3. This installation assumes Class 2 two conductor wires have been run from fixture mount location to LED driver enclosure location.
4. LED driver enclosure must be installed in an accessible, dry and well ventilated location using the screw holes provided in enclosure.
5. Make wire connection from LED driver to two conductor Class 2 wire, running in ceiling with wire nuts (not included).
6. J-box or blocking in wall behind mounting surface is required in advance to support fixture. For outdoor installation use a outdoor rated J-box (by others) to be installed 1/8" below wall surface.



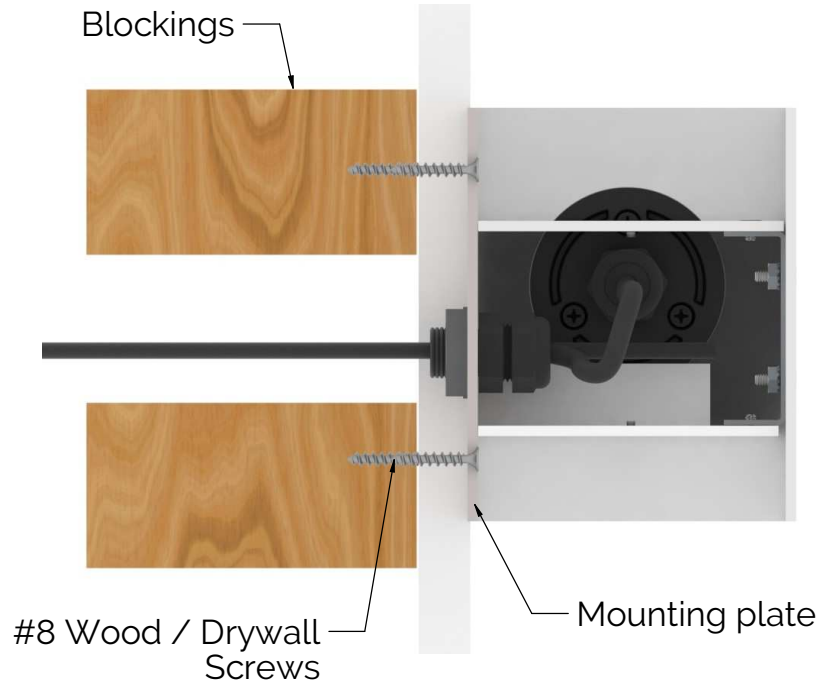
6. Make electrical connection between wires at Mounting plate from LED module to exposed Class 2 wire with wire-nuts at J-box. If not using J-box then make $\Phi 1"$ hole at mounting surface and pass 2 conductor class 2 wire through it to make wire connection with LED fixture. Insert connected wires back into wall.
7. Make a bead of silicone sealer between Mounting plate and wall where wires pass.



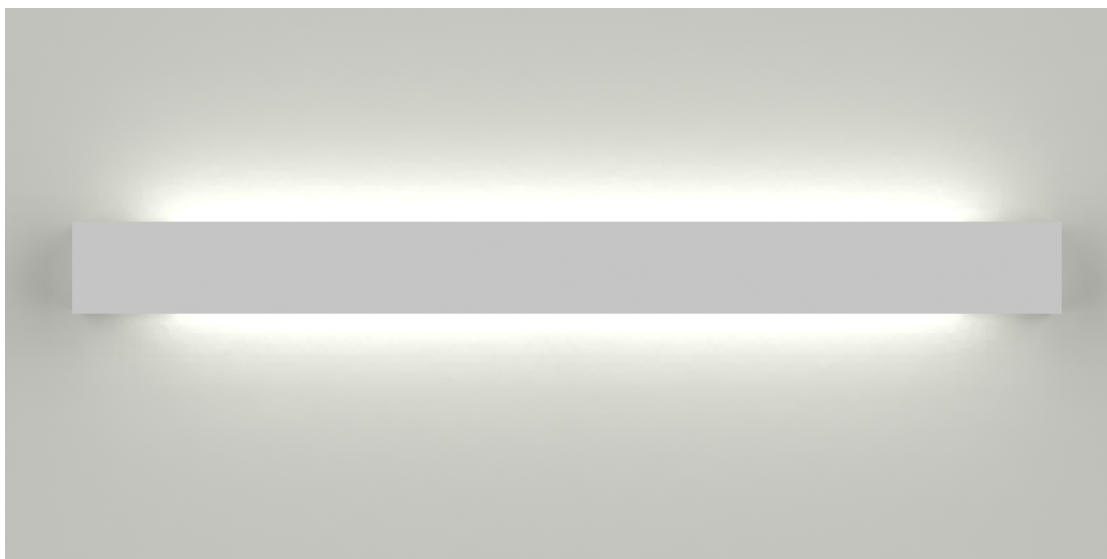
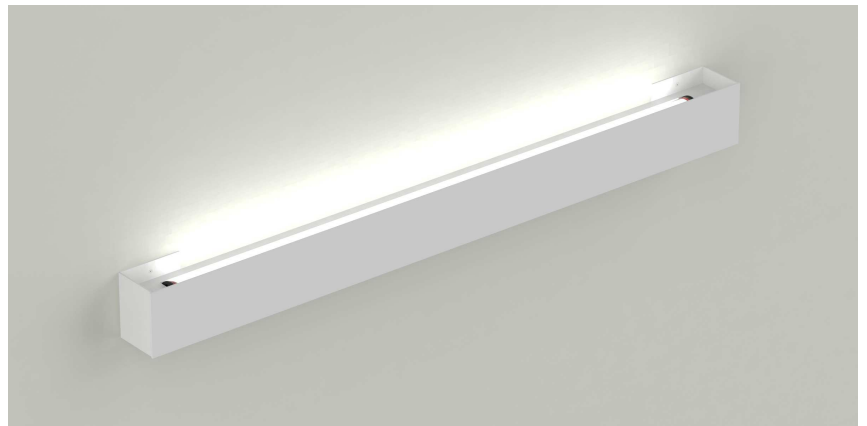
8. Install the LED module to mounting surface by securing both Mounting plates to either blockings using (2) #8 wood screws for each plate or J-box using #8-32 x 3/4" FHMS. Use a bubble level to aid in final positioning of the fixture prior to screw installation. make sure screws anchor into J-box or blockings.
9. Make sure fixture is well secured to mounting surface and there are no pinched wires.
10. Make Mains power connection to LED driver using provided connector inside driver enclosure. Make sure Mains power Ground wire is secured to green ground wire inside driver enclosure.
11. Restore Mains power.

DaBox Wall

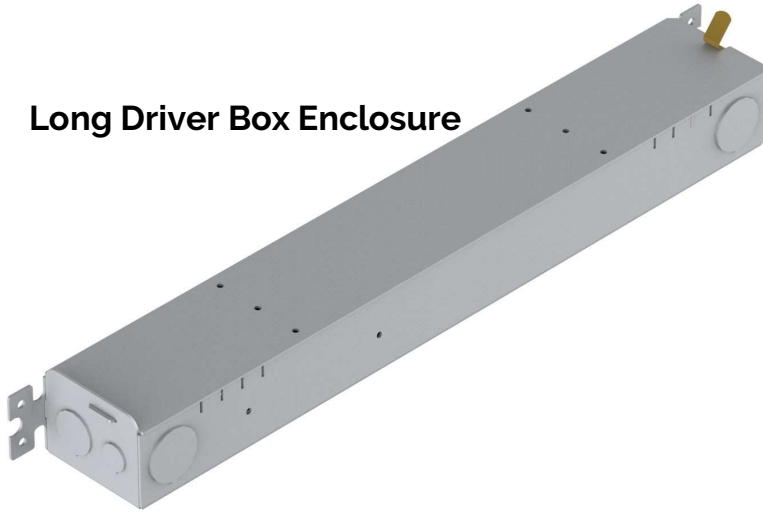
Installation Instructions



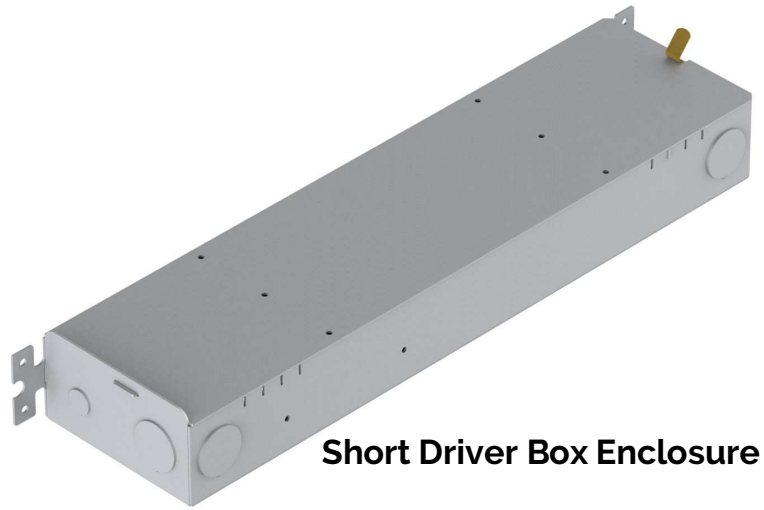
(Step-8)
Securing Fixture to mounting surface



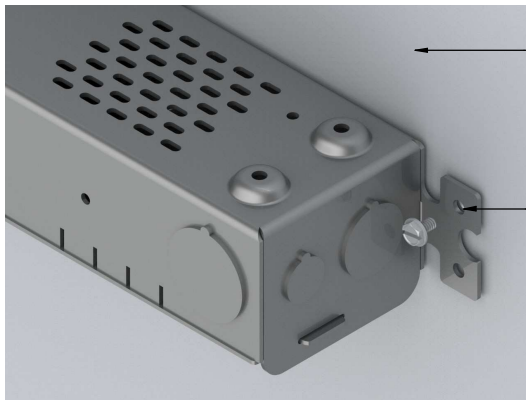
Long Driver Box Enclosure



Short Driver Box Enclosure



Installing Driver enclosure



Driver enclosure mounting surface

Driver enclosure, should be installed with flanges secured to mounting surface as shown

Secure Driver box enclosure flange to remote mounting surface by a screw at each end of enclosure



Horizontal mounting

Vertical mounting

