

Da Recessed Round Trim

Da / Outdoor



archlit reserves the right to make changes without prior notice. (02.25.2022)

Recessed Lighting Fixture for outdoors in an enclosure and end caps black in polycarbonate, and LED tray in aluminum, O ring at extremities seals the lighting components from water. A diffusing film is included for even illumination from the LED source. UV Stabilized Polycarbonate formulation. Dimmable 0-10V. Individual mounting and runs can be achieved, sharing mounting canopies. Fixtures are individually adjustable. Symmetrical or asymmetrical distribution available. Remote drivers.

Frame in aluminum with diffuser at bottom with film protection of transparent (LED not seen as Da fixture has film inside).

Design: Susana Babic + Gaspar Glusberg

IP66K rated

DarRTm

Da Recessed Round Trim

Lumen Output

27 HO - 2700 K 12.5 w/f 910 Lumens/f
30HO - 3000 K 12.5 w/f 980 Lumens/f
35HO - 3500 K 12.5 w/f 1010 Lumens/f
40HO - 4000 K 12.5 w/f 1040 Lumens/f
27 - 2700 K 5.5 w/f 384 Lumens/f
30 - 3000 K 5.5 w/f 384 Lumens/f
40 - 4000 K 384 lumens /f 4.9 w/f

Finish

BK - Black
Cu - Custom Color
Specify RAL color
End caps, hardware, valves and liquid tight devices are black of interior Da fixture

Dimming

0 - Non Dimmable 120v
1 - Non Dimmable 277v
4 - Dimmable 0-10v (4wires, 120 or 277 v)
Enclosure for drivers provided as they are remote. Suitable for damp location. In case of using special boxes for outdoor locations (by others) use archlit boxes in the outdoor boxes for splices



Da Recessed Round Trim

Da / Outdoor

Runs

A - 1' nominal module

Dimension at center line of canopy (J Box)

B - 2' nominal module

Dimension at center line of canopy (J Box)

C - 3' nominal module

Dimension at center line of canopy (J Box)

D - 4' nominal module

Dimension at center line of canopy (J Box)

Total Run: (0 ft 0 in)

Light Distribution

St - Standard

Sd - Symmetrical 36 degrees

Ad - Asymmetrical

Using asymmetrical in runs, specify qty. of each in product code.

Good for estimates. Provide schemes / drawings to clarify asymmetrical side. archlit will generate submittals

Specify qty of each per run

Frame

StdFr - Standard

Para2Fr - Paralume Paralume II linear metal ceiling 2 3/8"

Frame finish

WHFr - White

BKFr - Black

CuFr - Custom color

Specify RAL color Extra charges may apply

Diffuser Frame

CLFr - Clear

FRFr - Frosted

Will have one diffuser in each fixture. If clear selection, the film for hiding LED will be at fixture

If selected frosted, the lighting fixture will not have film

Every added film implies less output and more diffusion

Emergency

OO - No emergency

EM - Emergency

Notes:

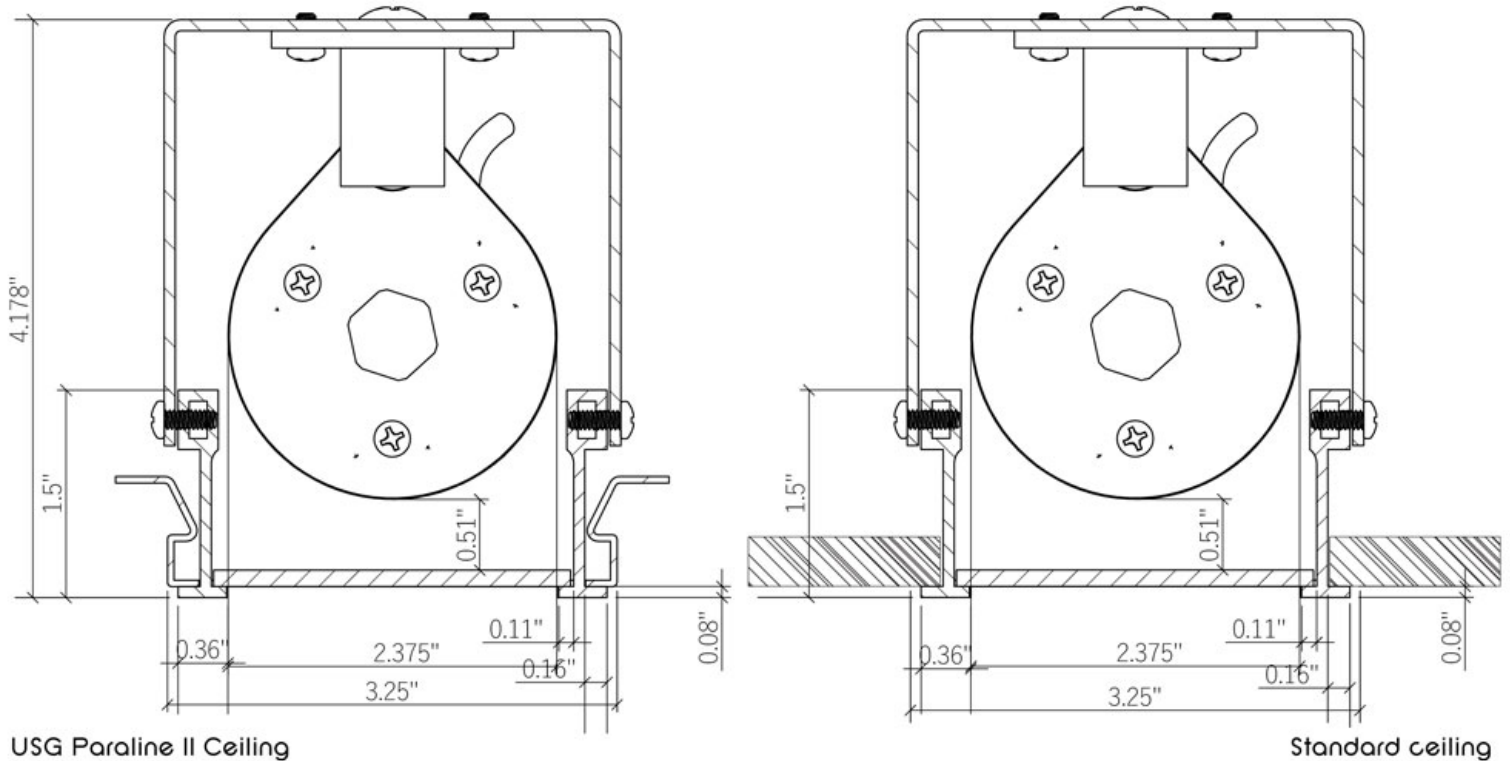
Drivers are remote at 80' max.

Location of drivers in a cluster with access recommended for easier dimmer and power connections.

Drivers to locate in dry location or @ outdoor enclosures (by others)

CRI More than 90

McAdam 3 Bin





Driver Boxes

