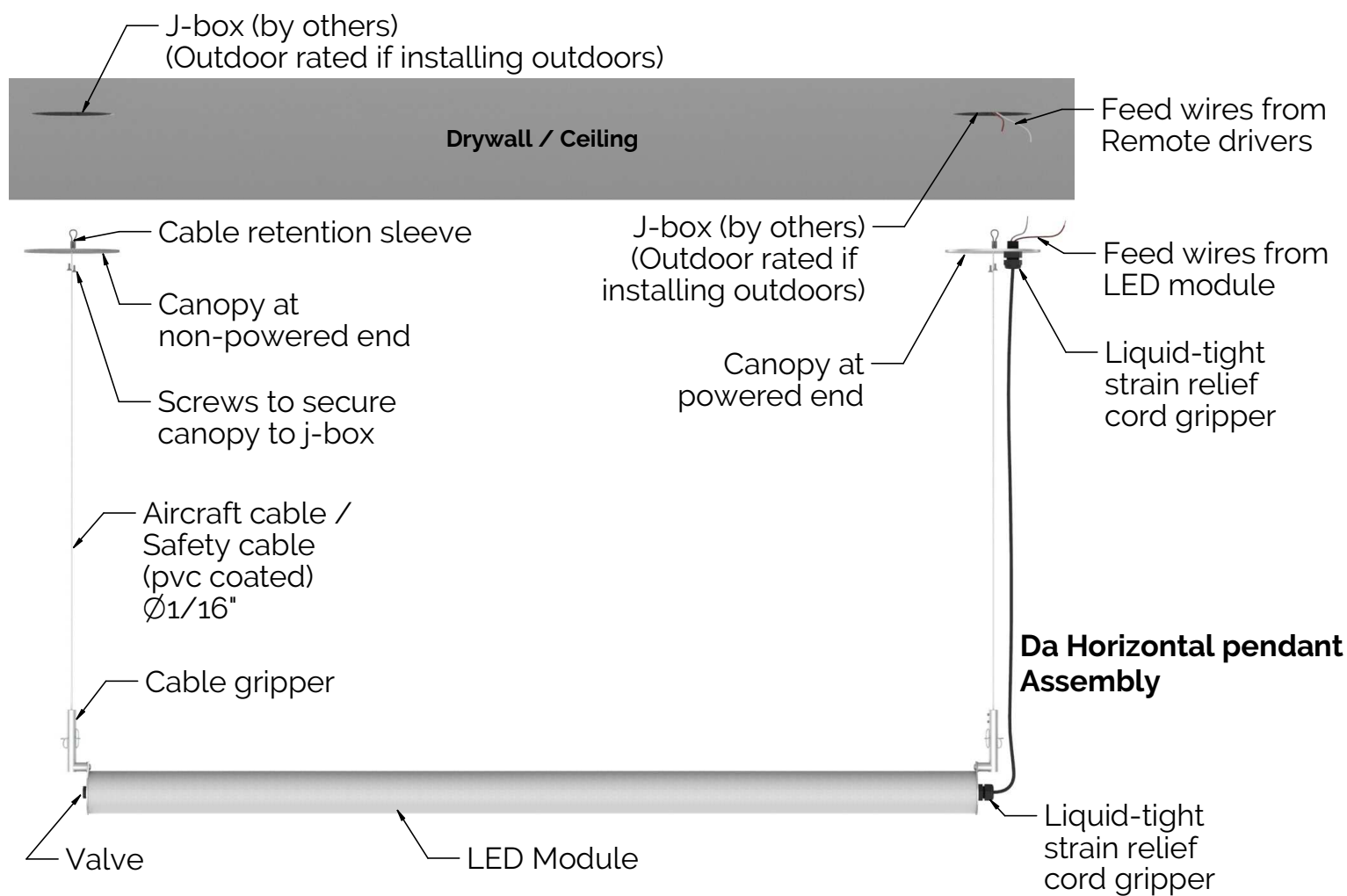


# Da Horizontal Pendant

Installation Instructions

PLEASE READ THESE INSTRUCTIONS PRIOR TO INSTALLING THIS PRODUCT

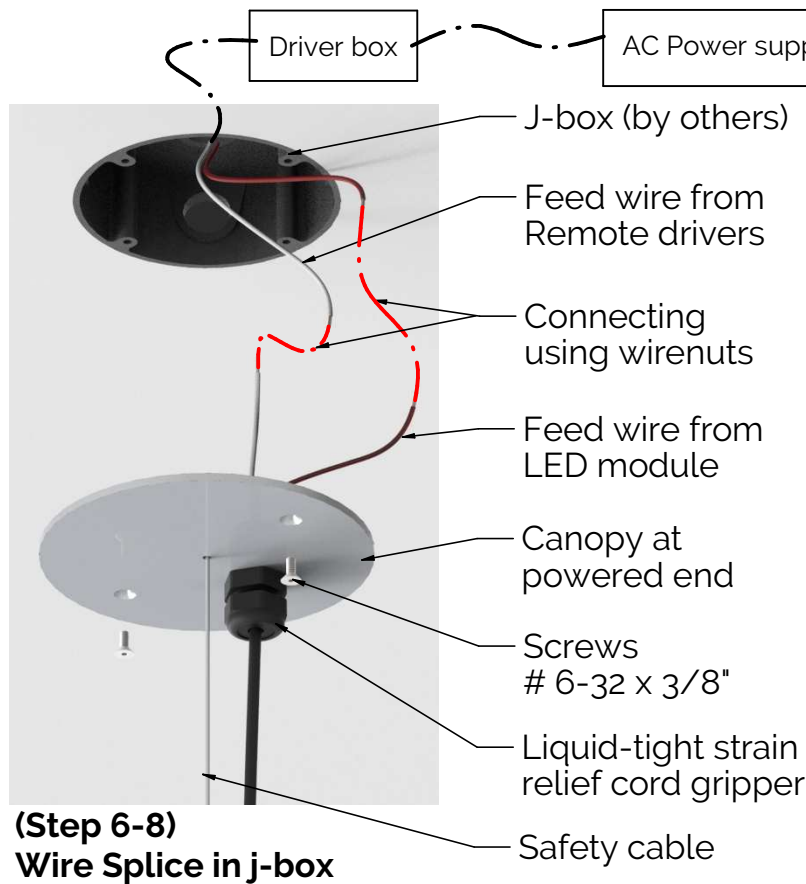
1. Disconnect electrical power from lighting circuit before installation.
2. CAUTION-RISK OF FIRE. This product must be installed in accordance with the applicable NEC/local installation code by a person familiar with the construction and operation of the product and the hazards involved.
3. Make sure LED drivers, Linear LED Modules and all other fixture components are present.
4. This installation assumes Class 2 two conductor wires have been run from fixture mount location to LED driver enclosure location.
5. Make wire connection from LED driver to two conductor Class 2 wire, running in wall/ceiling with wire nuts (not included).



6. Make connection between the feed wire from LED to wires from remote drivers inside J-box using wire nuts (not provided). Make sure wire polarity from driver enclosure to fixture is correct.
7. Run bead of silicone seal around edge of canopy perimeter for outdoor installation.

# Da Horizontal Pendant

Installation Instructions



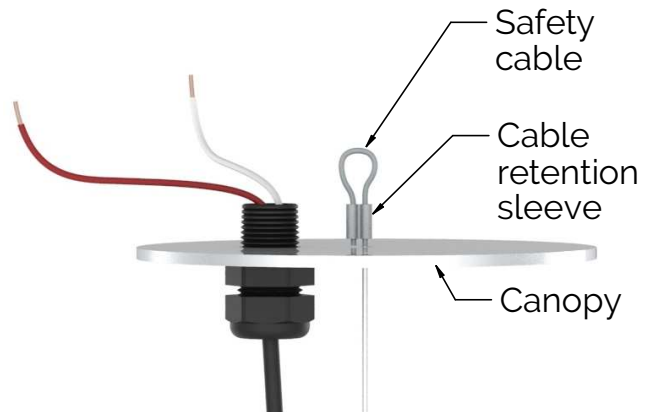
8. Secure the fixture and canopy to j-box using #6-32 x 3/8" flat socket head screws.

**Note:**

**Following are recommended j-boxes:**

- TB-Reddot RS47WH
- Hubbell PRB57550 5-hole PVC box

**( Make sure wire polarity is correct )**

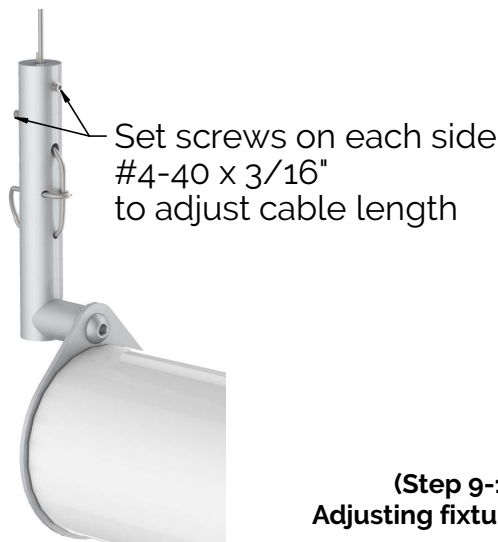


9. With the use of a bubble level and/or tape measure, adjust the height of LED module to desired position by loosening (2) set screws and stretching cable in/out at each cable gripper.

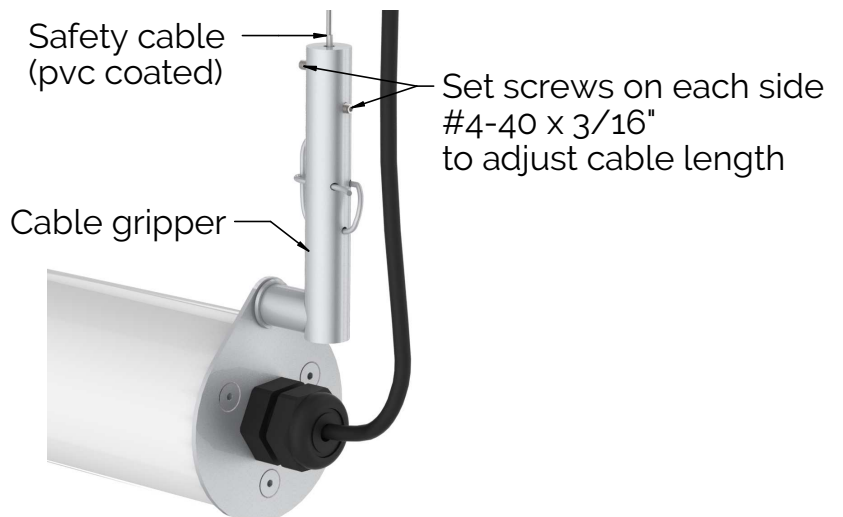
10. Tighten the set screws to lock safety cable and route cable thru loop holes at lower part of cable gripper. Installation requires loop by installer.

11. Stretch out the cable through the loop to remove any slack in cable and make it tight. Snip/cut out the extra cable at the lower cable end at cable gripper. Diagram showing construction of loop is shown at last page for reference.

12. Make sure fixture is well secured to ceiling and there are no pinched or exposed wires.



(Step 9-11)  
**Adjusting fixture height**



# Da Horizontal Pendant

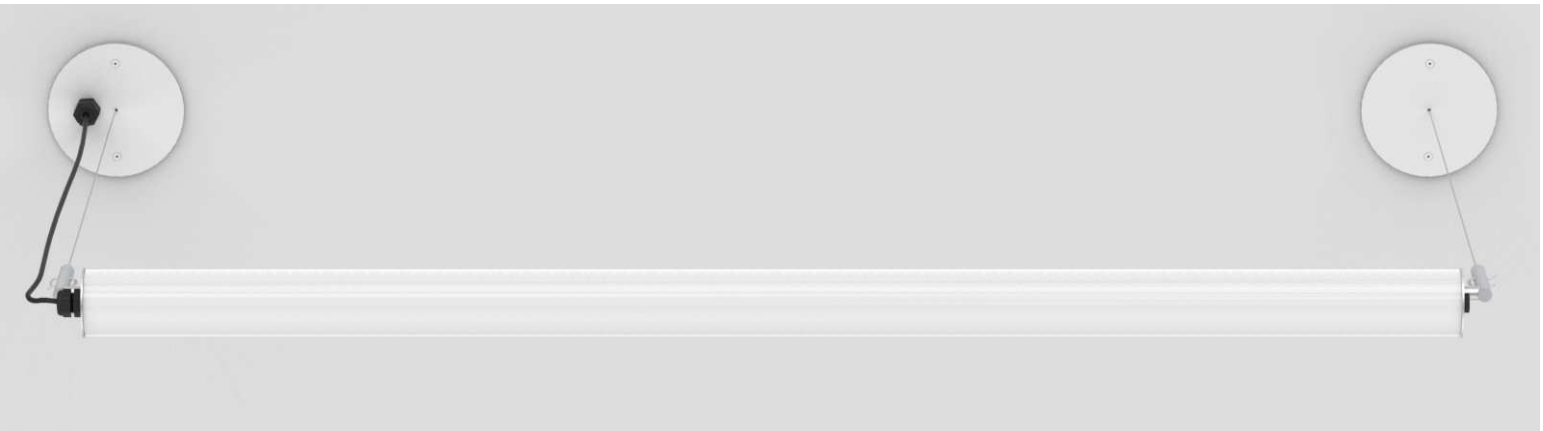
Installation Instructions

13. Make Mains power connection to LED driver using provided connector inside driver enclosure. Make sure Mains power Ground wire is secured to green ground wire inside driver enclosure. If metal cased driver is used, secure green driver ground wire to driver enclosure ground connection.
14. Restore Main power to lighting circuit.



## Note for Driver and Emergency pack Enclosure:

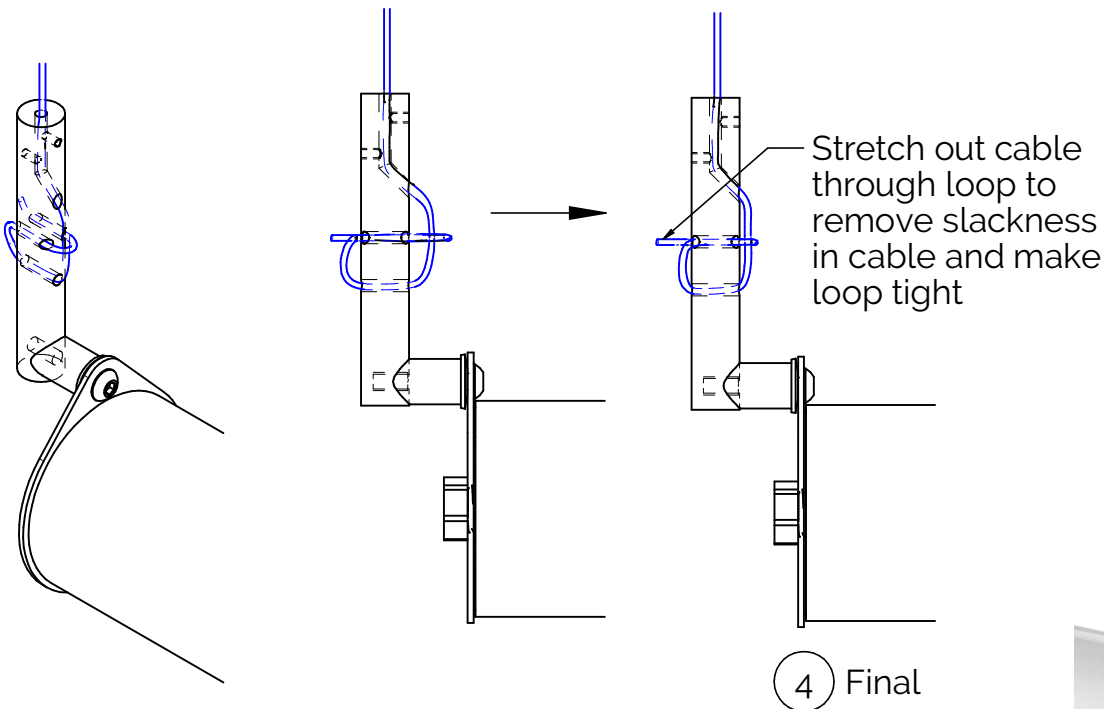
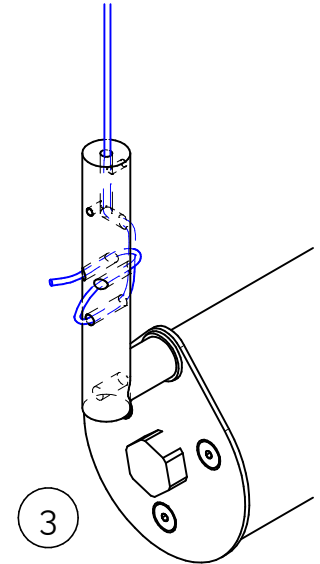
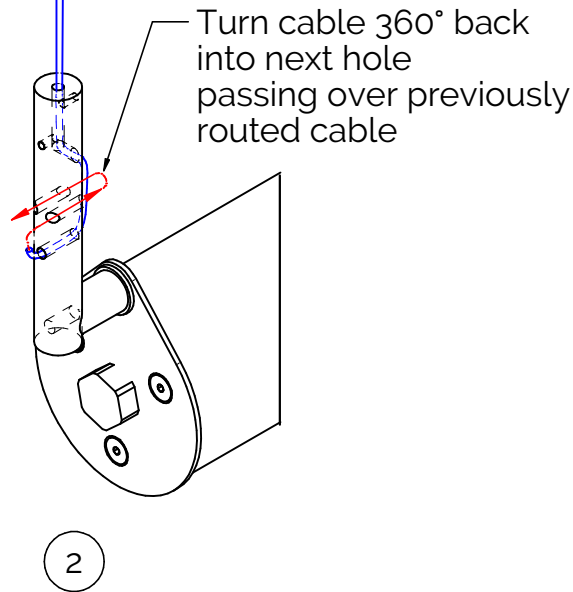
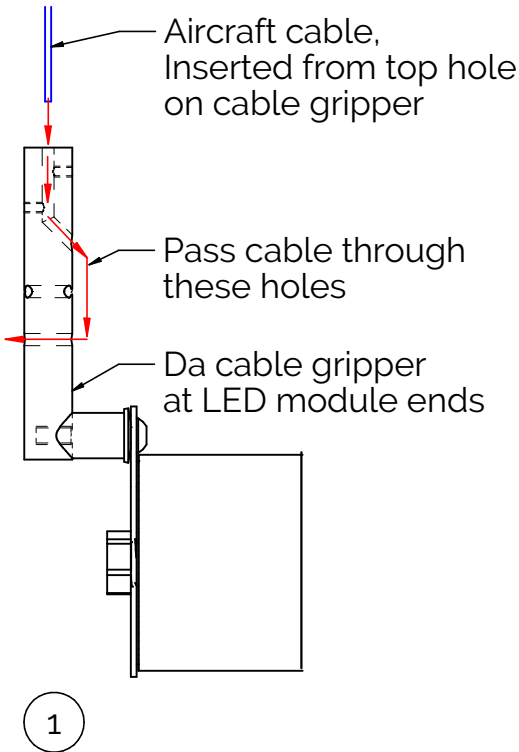
1. **SB-46 SB Series NEMA Steel Enclosure** is used for LED driver and EM module combinations.  
( 20" x 16" x 8" ) / 20.30lbs
2. **ML-70F\*1508 ML Series NEMA 4X Waterproof Enclosure** is used for LED driver only applications.  
( 10" x 7" x 4.06" ) / 1.75lbs



# Da Horizontal Pendant

Installation Instructions

## Construction of cable loop (Risk of hazard situations not following these instructions at set up)

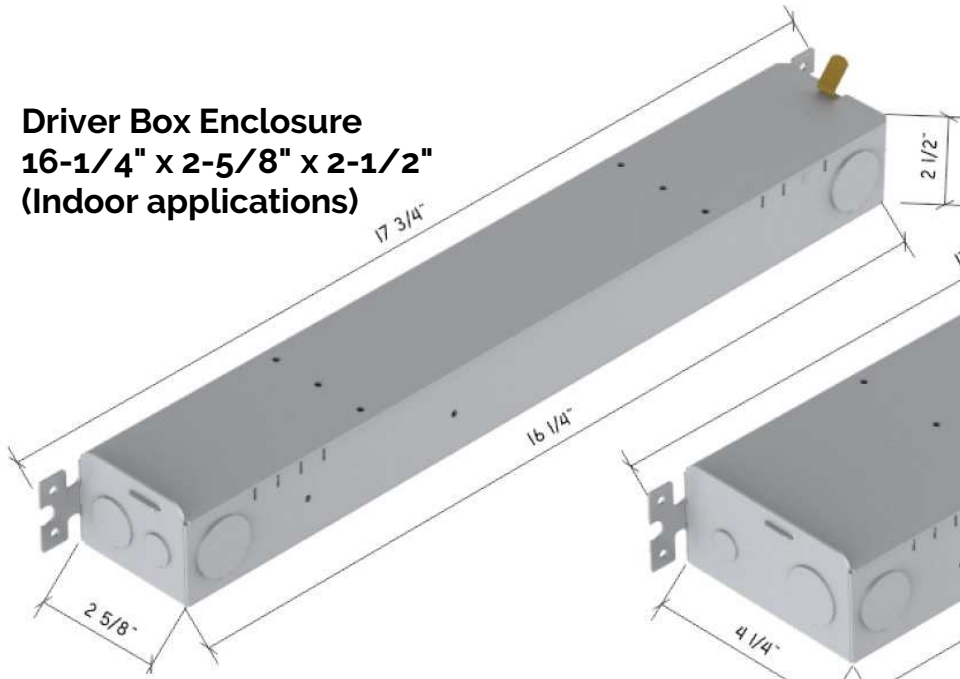


**Note:**  
Fixture if not installed properly using these instructions, is in  
danger of collapsing. Installation requires loop by installer.

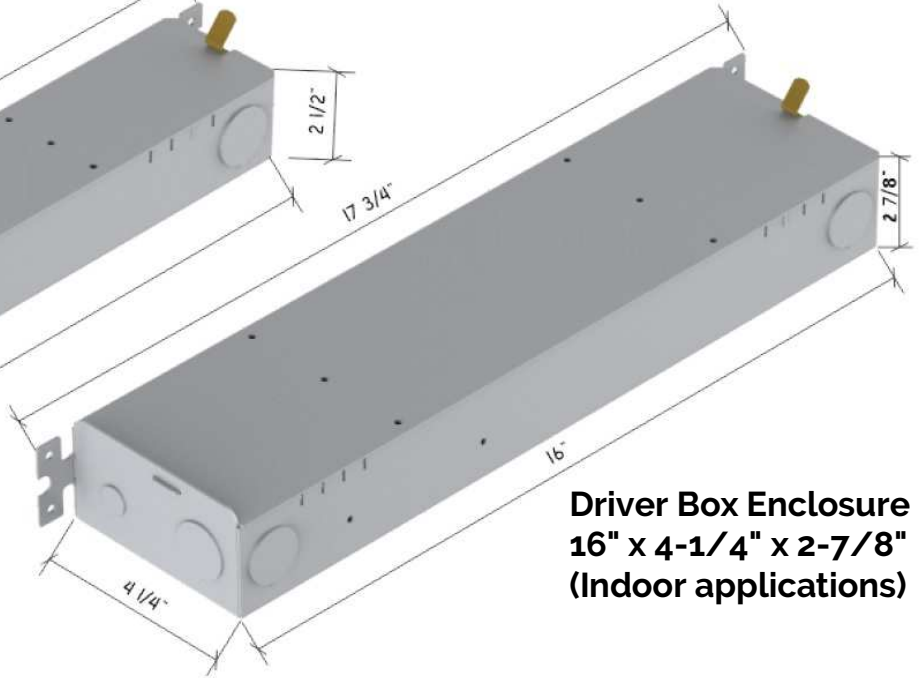
# Da Horizontal Pendant

Installation Instructions

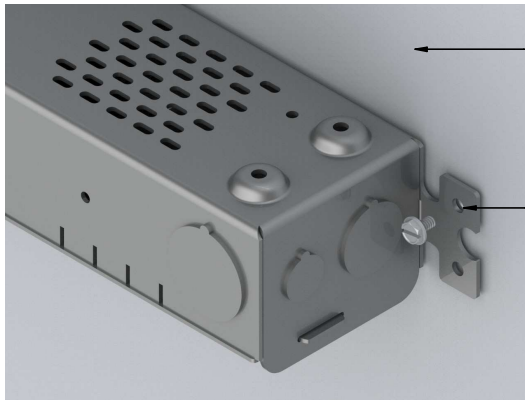
**Driver Box Enclosure**  
**16-1/4" x 2-5/8" x 2-1/2"**  
**(Indoor applications)**



**Driver Box Enclosure**  
**16" x 4-1/4" x 2-7/8"**  
**(Indoor applications)**



## Installing Driver enclosure



Driver enclosure mounting surface

Driver enclosure, should be installed with flanges secured to mounting surface as shown

**Secure Driver box enclosure flange to remote mounting surface by a screw at each end of enclosure**



## **Horizontal mounting**

## **Vertical mounting**

