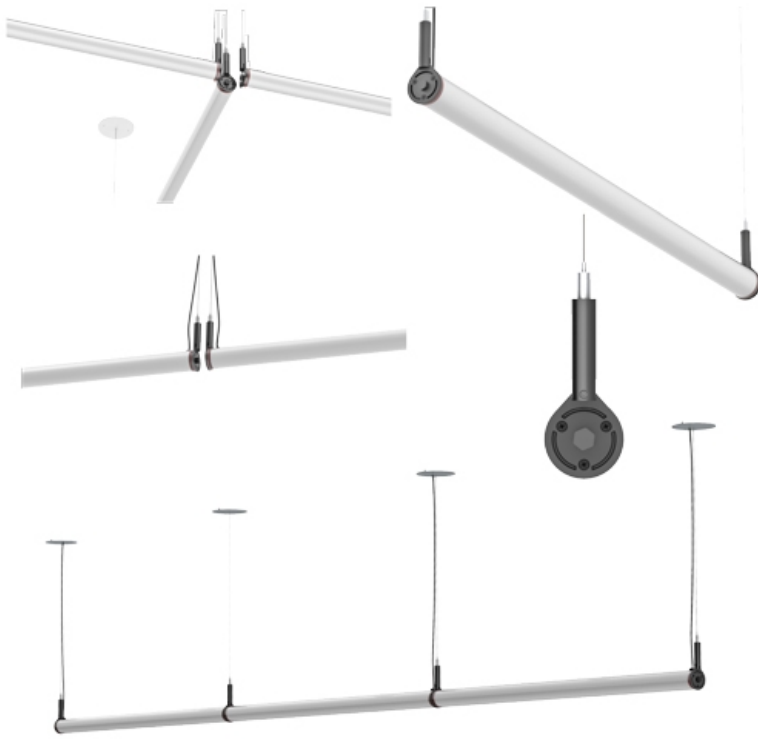


Da Round Pendant Interior

Da / Pendant



modules nominal 1', 2', 3' and 4'

archlit reserves the right to make changes without prior notice. (02.25.2022)

Pendant Lighting Fixture horizontally mounted for indoors with a horizontal lighting component, in an enclosure and end caps black in polycarbonate, and LED tray in aluminum, O ring at extremities seals the lighting components. A diffusing film is included for even illumination from the LED source. UV Stabilized Polycarbonate formulation. Dimmable 0-10V. Individual mounting and runs generating squares, rectangles, tridents can be achieved, sharing mounting canopies. Symmetrical or asymmetrical; aperture std (120 degrees) or reflectors inside the diffusing film cutting the angle to around 36 degrees, distribution available. Remote drivers.

Use interior and exterior fixtures in a project, obtaining same language of lighting fixtures.

DaRintPen

Da Round Interior Pendant

Lumen Output

27 HO - 2700 K 12.5 w/f 910 Lumens/f
30HO - 3000 K 12.5 w/f 980 Lumens/f
35HO - 3500 K 12.5 w/f 1010 Lumens/f
27 - 2700 K 5.5 w/f 384 Lumens/f
30 - 3000 K 5.5 w/f 384 Lumens/f
40 - 4000 K 384 lumens /f 4.9 w/f

Finish

WH - White
Only End stem and canopy
BK - Black
Only end Stem and canopy
Cu - Custom Color
Only end Stem and canopy Specify RAL color
End caps, hardware, valves and liquid tight devices are black

Dimming

O - Non Dimmable 120v
1 - Non Dimmable 277v
4 - Dimmable 0-10v (4wires, 120 or 277 v)



Runs

A - 1' nominal module

Dimension at center line of canopy (J Box)

B - 2' nominal module

Dimension at center line of canopy (J Box)

C - 3' nominal module

Dimension at center line of canopy (J Box)

D - 4' nominal module

Dimension at center line of canopy (J Box)

Fc - Lines + Figures final canopy

iC - Lines intermediate Canopy

Canopy shared by 2 modules

Fl - Figures Linear Canopy

Lc - Figures L Canopy

Tc - Figures T Canopy

Xc - Figures X Canopy

Cu - Figures Custom angle Canopy

Specify angles and qty of modules at Joint. Provide sketch to factory

Total Run: (0 ft 0 in)

Lines with Line runs, can share two end caps per canopy.

Figures with line runs or individual modules will have a space of 2 3/4" between modules generated at the canopy.

Individual, lines or Figures upon the use of different canopies

archlit will generate submittals. Specify qty of each per run

Output direction

Dn - Down

DoAs - Down Assymmetrical

DoSym - Down Symmetrical 36 degrees

Up - Up

UpAs - Up Assymmetrical

Up Sym - Up Symmetrical

Ds - Double sided

Only for std output 5.5 w/f. Only std distribution. Assume 11 w/f with both sides Criteria from fixture installed on horizontal plane with canopies on top

Using asymmetrical in runs, specify qty. of each in product code. Good for estimates. Provide schemes /drawings to clarify asymmetrical side. archlit will generate submittals

Specify qty of each per run

Suspension aircraft cablet

36 - 36" max

100 - 100" max

LCu - Custom Length

Specify LCu xx"

Emergency

00 - No Emergency

EM - Emergency

Notes:

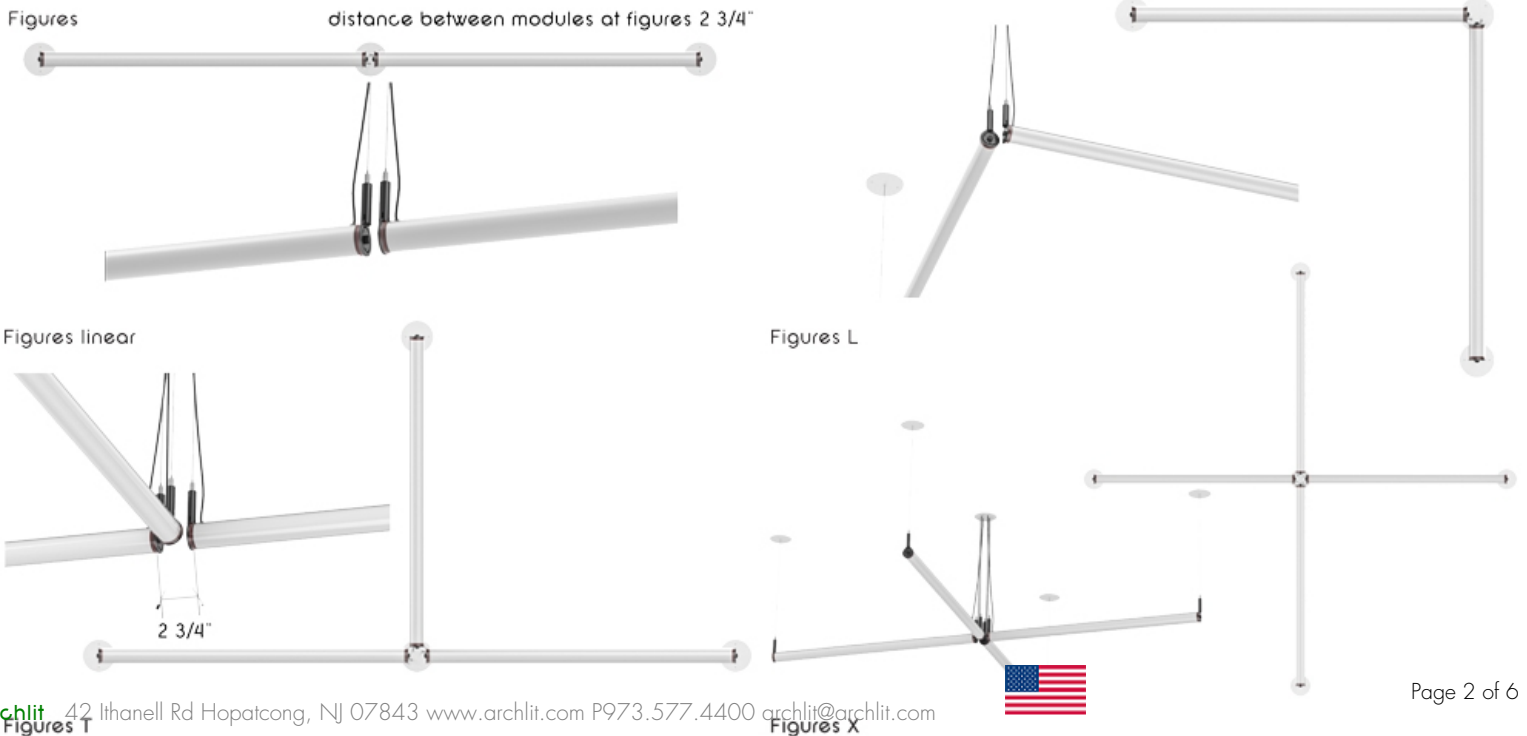
Drivers are remote at 80' max.

CRI more than 90

McAdam 3 bin

Location of drivers in a cluster with access recommended for easier dimmer and power connections.

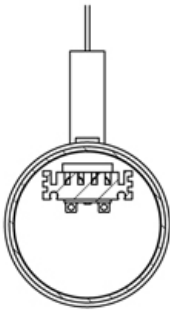
archlit will generate submittals.



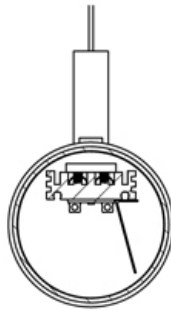


Light Distribution

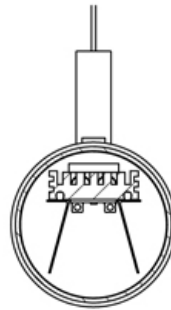
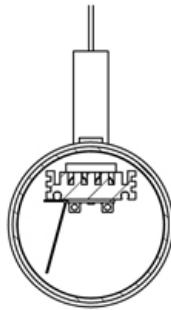
Downlight
pendant



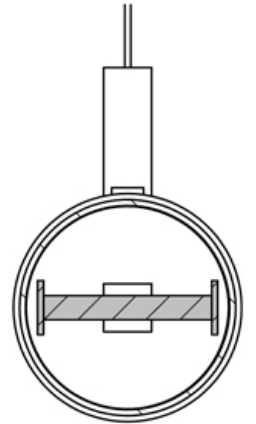
No reflector



Asymmetrical reflector



Symmetrical reflector

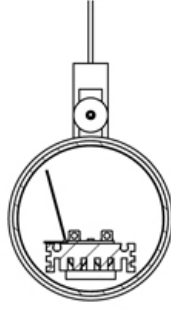


Down and Up light

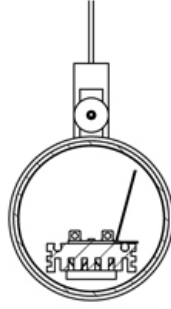
Uplight
pendant



No reflector



Asymmetrical reflector



Symmetrical reflector



Da Round Pendant Interior

Da / Pendant

Individual



Lines final canopy



Lines



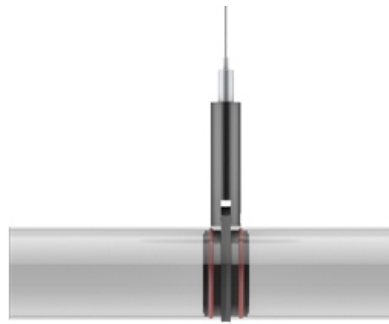
Lines intermédiaire

Lines final

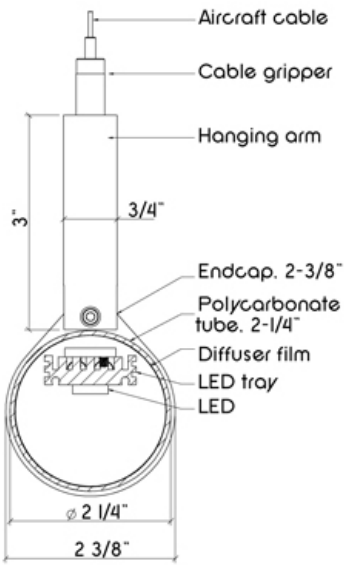
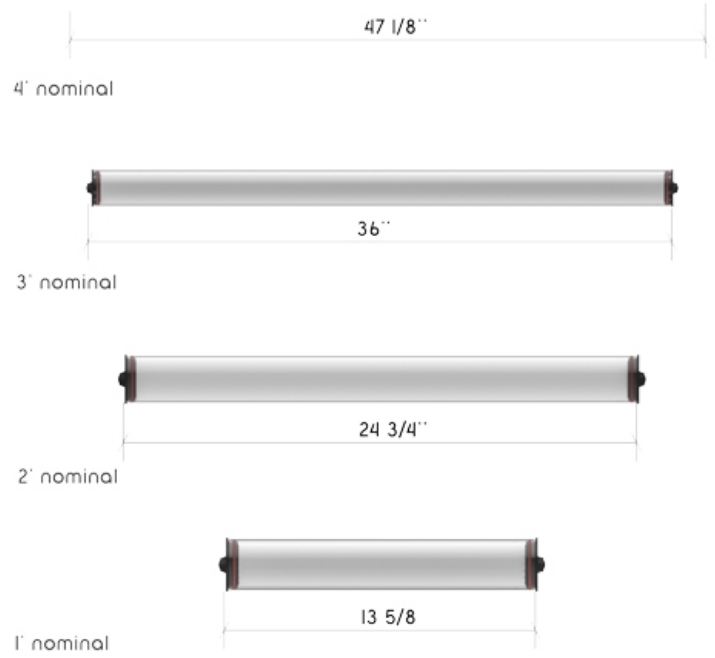
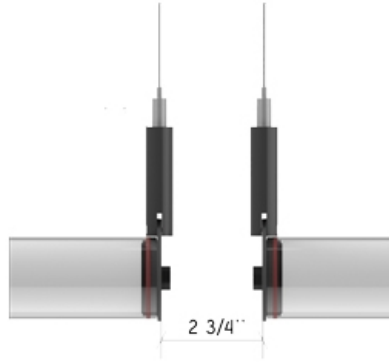


Da Round Pendant Interior

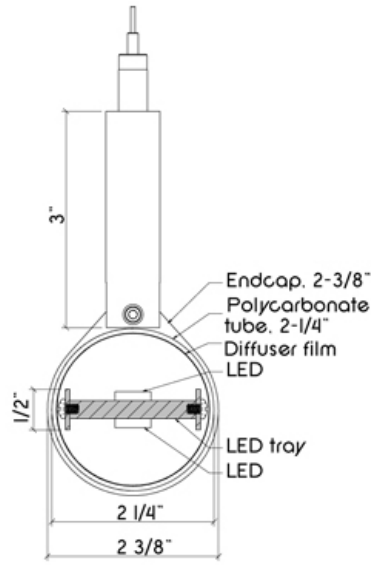
Da / Pendant



Lines Linear



Pendant with Single side light



Pendant with Double side light





Driver Boxes

