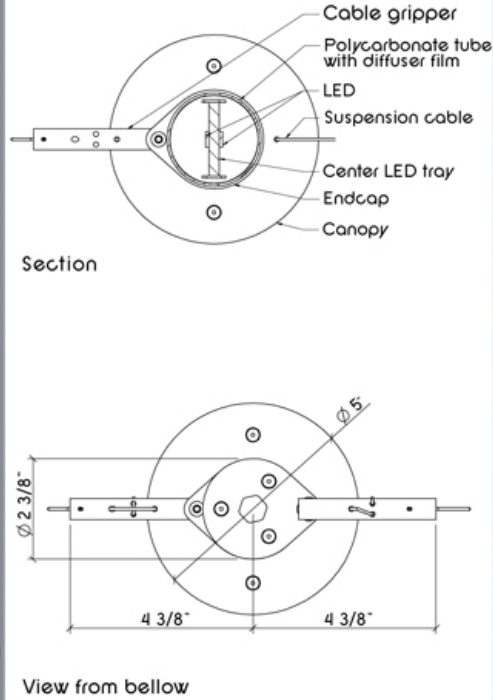
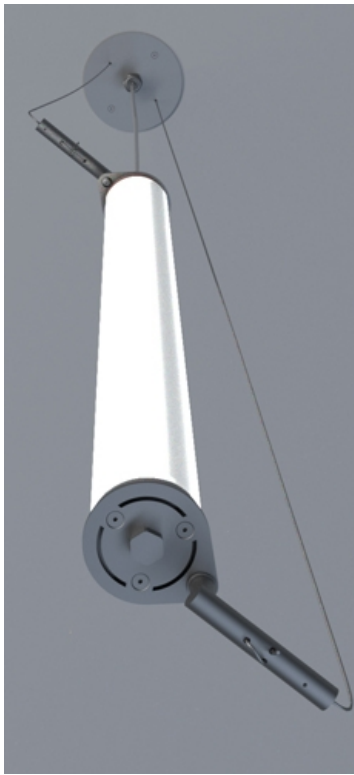


Da Round Pendant Vertical

Da / Outdoor



archlit reserves the right to make changes without prior notice. (02.25.2022)

Pendant Lighting Fixture mounted Lighting Fixture with a vertical lighting component for outdoors in an enclosure and end caps black in polycarbonate and LED tray in aluminum, O ring at extremities seals the lighting components from water. A diffusing film is included for even illumination from the LED source. UV Stabilized Polycarbonate formulation. Dimmable 0-10V. Individual mounting and runs can be achieved, sharing mounting canopies. Fixtures are individually adjustable. Symmetrical or asymmetrical distribution available. Remote drivers.

IP66K

DaPenV

Da round Pendant Vertical

Lumen Output

27 HO - 2700 K 12.5 w/f 910 Lumens/f
 30HO - 3000 K 12.5 w/f 980 Lumens/f
 35HO - 3500 K 12.5 w/f 1010 Lumens/f
 27 - 2700 K 5.5 w/f 384 Lumens/f
 30 - 3000 K 5.5 w/f 384 Lumens/f
 40 - 4000 K 384 lumens /f 4.9 w/f
 All HO options, are aiming light to one side only

Lighting Length

A - 1' nominal module
 B - 2' nominal module
 C - 3' nominal module
 D - 4' nominal module

Finish

WH - White
 BK - Black
 Cu - Custom Color
 Specify RAL color
 End caps, hardware, valves and liquid tight devices are black

Output direction

St - Standard 1 side 120 degrees
 Sym36 - Symmetrical 36 degrees 1 side
 Ds - Double sided Std
 Only for std output 5.5 w/f. Only std distribution. Assume 11 w/f with both sides

Dimming

O - Non Dimmable 120v
 1 - Non Dimmable 277v
 4 - Dimmable 0-10v (4wires, 120 or 277 v)
 Enclosure for dimmers provided as they are remote. Suitable for damp location. In case of using special boxes for outdoor locations (by others) use archlit boxes in the boxes for splices

Suspension aircraft cable

36 - 36" max
 100 - 100" max
 LCu - Custom Length
 Specify LCu xx"



Da Round Pendant Vertical

Da / Outdoor

Emergency

00 - No Emergency

EM - Emergency

Emergency in a run, specify qty of packs. Box for emergency outdoors installed (by others) We suggest for one emergency pack and driver Polycase SB-

46-02 (1 driver and 1 emergency pack)(by others)

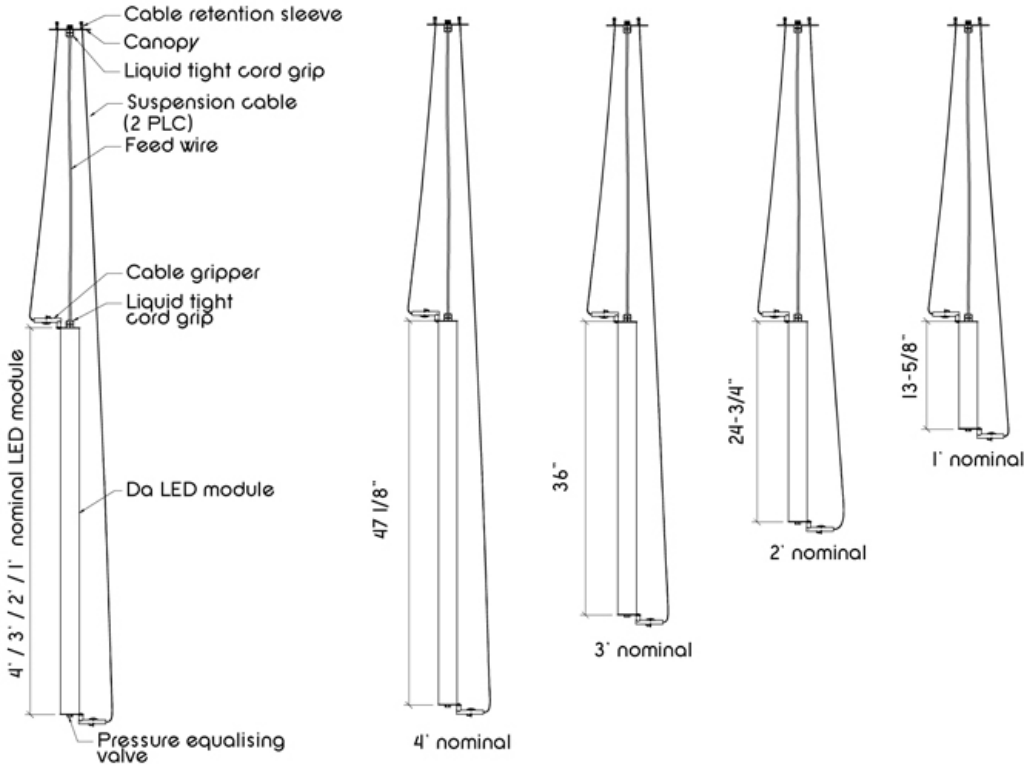
Notes:

Drivers are remote at 80' max.

CRI more than 90

McAdam 3 bin

Location of drivers in a cluster with access recommended for easier dimmer and power connections. When 0-10v system is used, 2 wires for longer runs to fixtures from cluster is required (instead of 5 wires) for easier installation



Da Round Pendant Vertical

Da / Outdoor



Da Round Pendant Vertical

Da / Outdoor



Driver Boxes

