

archlit reserves the right to make changes without prior notice. (12.12.2020)

LeeSti AbbyOw is a lighting fixture in aluminum extrusion for Behavioral Health Applications with 1" aperture. Diffuser in polycarbonate with film for not seeing LED. The Programmable drivers allow the use of special outputs with the same hardware and kit (programmable at factory). Use in damp location with remote drivers.

Tamper resistant lighting fixture, with special tamper screws for installation (requires a special screw driver for installation). Based on the guide for ligature resistant of the office of Mental Health of New York State. Special wiring possible depending on project needs. Trim and Trimless versions. Ligature resistant

## LeAbOwre

### LeeSti AbbyOw Recessed

#### Lumen Output

3017 - 3000 K 1200 lumens / ft 12 w /ft

3014 - 3000 K 1000 lumens / ft 10 w /ft

3011 - 3000 K 780 lumens / ft 7.5 w /ft

3008 - 3000 K 560 lumens / ft 5.5w /ft

3005 - 3000 K 350 lumens / ft 3.1 w /ft

3517 - 3500 K 1200 lumens / ft 12 w /ft

3514 - 3500 K 1000 lumens / ft 10 w /ft

3511 - 3500 K 780 lumens / ft 7.5 w /ft

3508 - 3500 K 560 lumens / ft 5.5w /ft

3505 - 3500 K 350 lumens / ft 3.1 w /ft

WhTu - White tuning 2700K @ 1050 lumens/foot

and 6500k @1200 lumens/foot 12.5 watt/foot

All Uplight versions with light will have a transparent diffuser

Use of programmable drivers allow different outputs (lumen output and load) to fix color temperature versions

#### Finish

WH - White

BK - Black

CU - Custom Color

Specify RAL color

#### Dimming

O - Non dimmable 120v

1 - Non dimmable 277v

4 - Dimmable 0-10v (4wires, 120 or 277 v)

**Flange**

Ts - Trimless

Tm - Trim

**Length**

B - 2' nominal 23 7/8"

C - 3' nominal 34 3/8"

D - 4' nominal 46 3/8"

E - 5' nominal 56 7/8"

F - 6' nominal 68 7/8"

**Reading Light**

NRea - No reading light

1Rea - 1' nominal reading light

2Rea - 2' nominal reading light

Provides ambient, exam and reading modes

For 1' reading need at least 2' module

For 2' reading need at least 3' module

Reading light implies (2) drivers and switches per fixture

**Emergency**

00 - No Emergency

EM - Emergency

Specify qty only if Emergency

Specify quantity of 4' nominal runs in runs

2' can also have emergency if needed by configuration

**Notes:**

Drivers remote

Max distance to drivers 80'

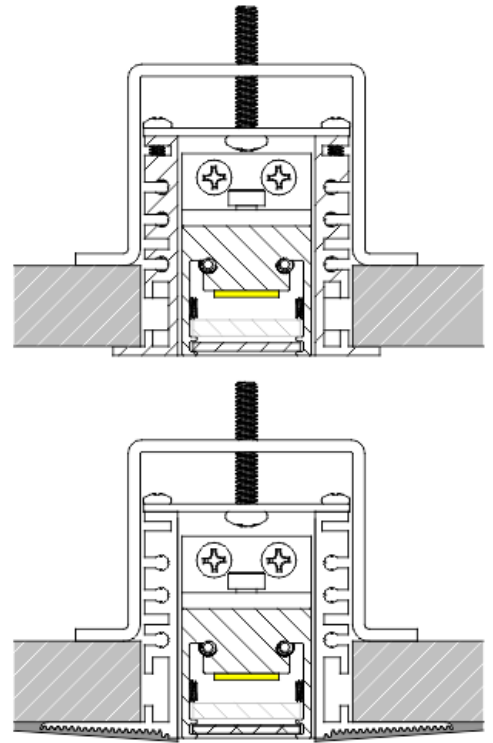
MacAdam 3, more than 90 CRI LED, RA 9 50%

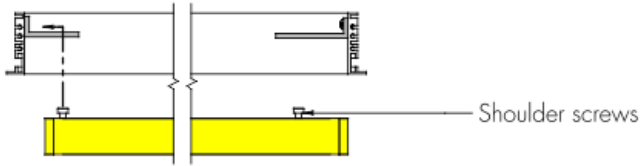
Luminaires for Behavioral Health Applications



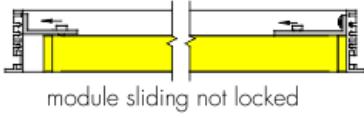
Trim 1/2"

Trimless 1"

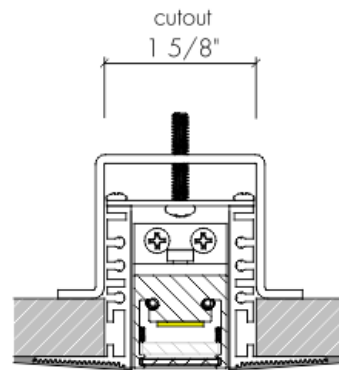
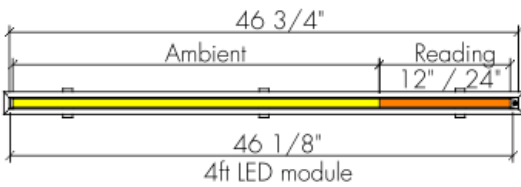
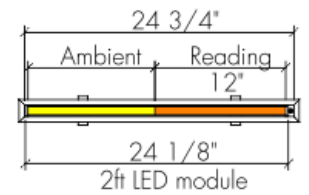
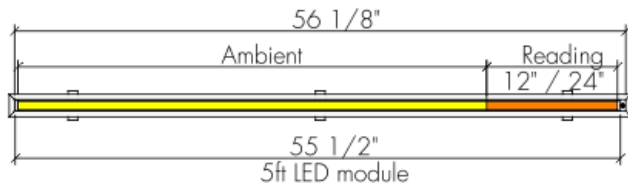
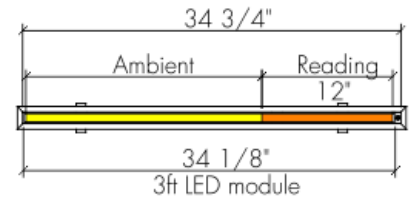
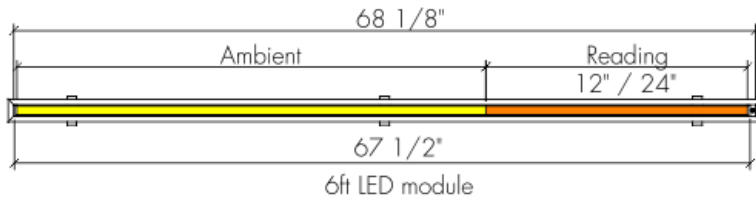
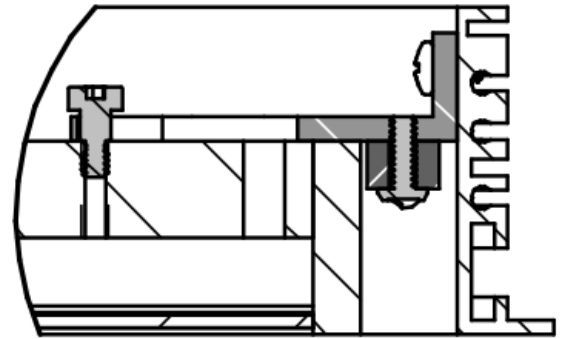
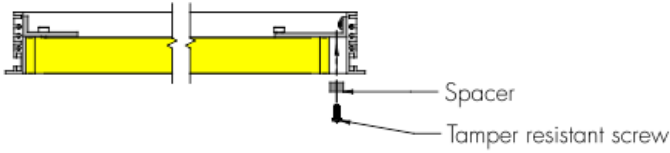




Step 1: Slide Shoulder screws into slots in Angle bracket at both sides

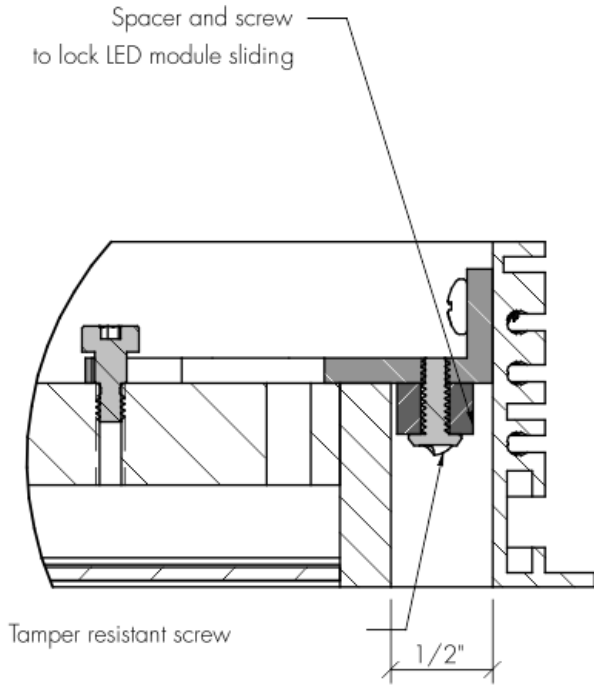


Step 2 : Push module towards left side gap



Fixture nominal	Cut Out 1 5/8" x
2'	24-3/4"
3'	34-3/4"
4'	46-3/4"
5'	56-1/8"
6'	68-1/8"





archlit generates submittals for runs. size of boxes TBD in documentation

