

archlit reserves the right to make changes without prior notice. (12.19.2017)

LeeSti Adjustable Trim is a recessed linear lighting fixture in 1', 2' and 4' lengths. 3000 K and 2700 K temperature available. Wall Washer or downlight adjustable.

A diffusing film in the lens generates a continuous and even line of light.

Dimmable or non dimmable with 0-10v dimmers with 4 wires to connect to control systems or Triac versions with 2 wires that can be used with standard dimmers. Drivers for 1- are integral to the fixture, all other lengths are remote

The system is installed without tools, the lighting module is pushed up to install, pushed down to uninstall.

## LARTR

### LeeSti Adjustable Recessed Trim

#### Lumen Output

- 3017 - 3000 K 1200 lumens / ft 12 w /ft
- 3014 - 3000 K 1000 lumens / ft 10 w /ft
- 3011 - 3000 K 780 lumens / ft 7.5 w /ft
- 3008 - 3000 K 560 lumens / ft 5.5w /ft
- 3005 - 3000 K 350 lumens / ft 3.1 w /ft
- 3517 - 3500 K 1200 lumens / ft 12 w /ft
- 3514 - 3500 K 1000 lumens / ft 10 w /ft
- 3511 - 3500 K 780 lumens / ft 7.5 w /ft
- 3508 - 3500 K 560 lumens / ft 5.5w /ft
- 3505 - 3500 K 350 lumens / ft 3.1 w /ft

WhTu - White tuning 2700K @ 1050 lumens/foot  
and 6500k @1200 lumens/foot 12.5 watt/foot

All Uplight versions with light will have a transparent diffuser

Use of programmable drivers allow different outputs (lumen output and load) to fix color temperature versions

#### Finish

- WH - White
- BK - Black
- CU - Custom Specify RAL color

#### Dimming Options

- O - Non Dimmable 120v
  - 1 - Non Dimmable 277v
  - 4 - Dimmable 0-10v (4wires, 120/277 v)
- Dimmable TRIAC (2 wires, max 25w, 120v) requires more drivers if run is bigger than 2'



# LeeSti Adjustable Trim

LeeSti / Recessed

## Runs

A - 1' module 12.5w/foot nominal 12 inches

Cut out 2 1/4" x 13 1/8"

B - 2' module 25w nominal 23 3/4 inches

Cut out 2 1/4" x 24 1/2"

C - 3' module nominal 37.5 w 35 inches

Cut out 2 1/4" x 35 3/4"

D - 4' module 50w nominal 46 inches

Cut out 2 1/4" x 46 3/4"

Total Run: (0 ft 0 in)

4', 2' and 1' modules, can generate individual fixtures or runs

## Emergency

00 - No Emergency

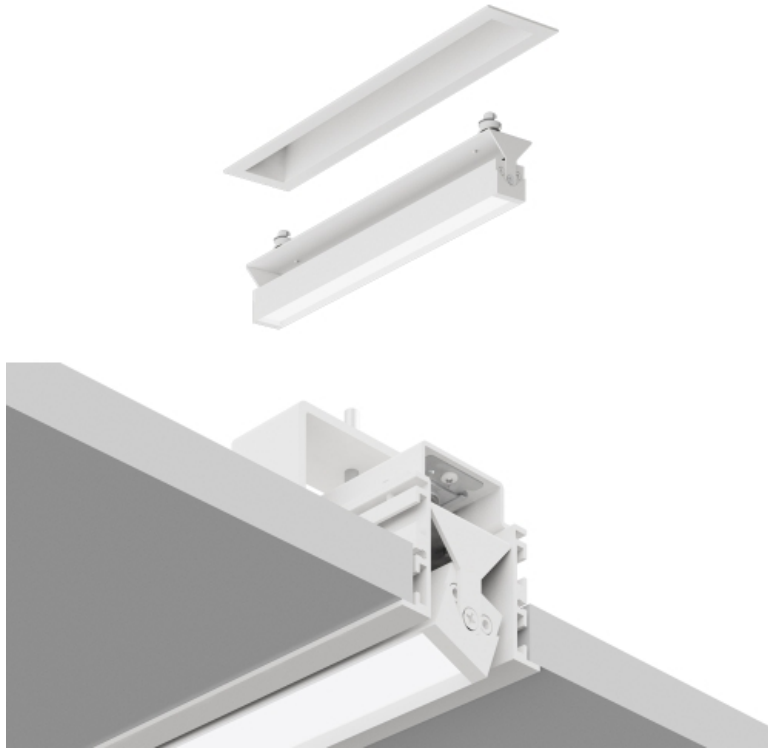
EM - Emergency module max 24'

Module max 24'. Adding emergency to a 4' means (2) drivers and (2) emergency packages if want all in emergency If 4' has 2' with emergency and 2' without it, will have (2) drivers and (1) emergency

## Notes:

Drivers are remote

Max distance to drivers 100'

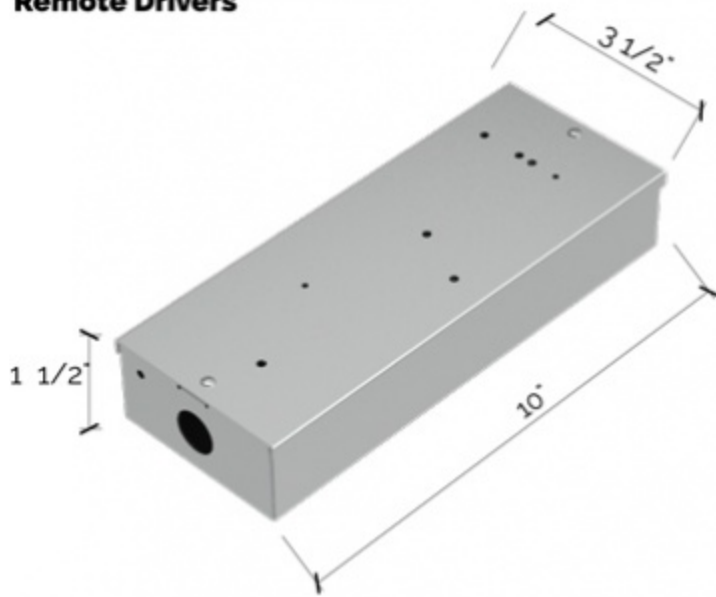


# LeeSti Adjustable Trim

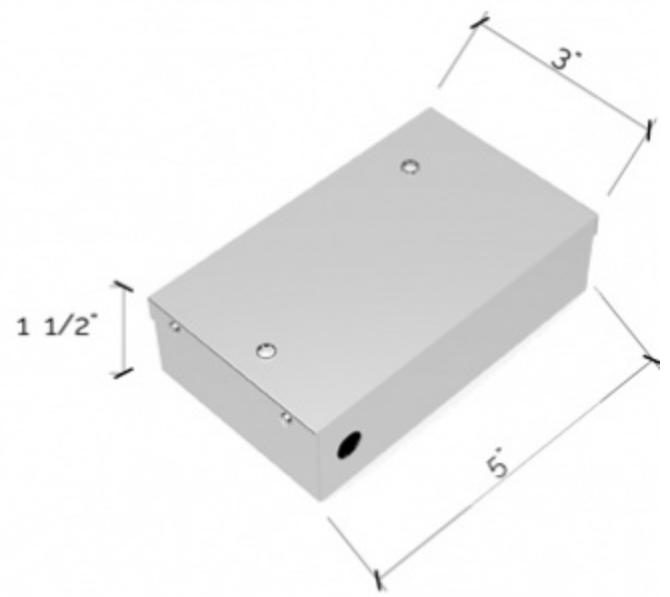
LeeSti / Recessed



**Remote Drivers**



Driver Box for Dimm 0-10v  
NTS



Driver Box Non Dimm and TRIAC drivers  
NTS

