

archlit reserves the right to make changes without prior notice. (09.13.2021)

LeeSti Adjustable Recessed Trimless Wall is a recessed linear lighting fixture in 1', 2' and 4' lengths. 3000 K and 2700 K color temperature available. Integrated into standard walls of 4", with it's 3" depth allows to aim them to the ceiling or space.

A diffusing film in the lens prevents from seeing the lighting source dots (LED) generating a continuous line of light.

Dimmable or non dimmable with 0-10v dimmers (0 to 10%) with 4 wires to connect to control systems or Triac versions with 2 wires that can be used with standard dimmers. Drivers remote

The system is installed without tools, the lighting module is pushed up to install, pushed up to uninstall by pressure latches.

Vertical or horizontal installation. Damp location listed

LEARTW

LeeSti Adjustable Recessed Trim Wall

Lumen Output

3017 - 3000 K 1200 lumens / ft 12 w /ft

3014 - 3000 K 1000 lumens / ft 10 w /ft

3011 - 3000 K 780 lumens / ft 7.5 w /ft

3008 - 3000 K 560 lumens / ft 5.5w /ft

3005 - 3000 K 350 lumens / ft 3.1 w /ft

3517 - 3500 K 1200 lumens / ft 12 w /ft

3514 - 3500 K 1000 lumens / ft 10 w /ft

3511 - 3500 K 780 lumens / ft 7.5 w /ft

3508 - 3500 K 560 lumens / ft 5.5w /ft

3505 - 3500 K 350 lumens / ft 3.1 w /ft

WhTu - White tuning 2700K @ 1050 lumens/foot

and 6500k @1200 lumens/foot 12.5 watt/foot

All Uplight versions with light will have a transparent diffuser

Use of programmable drivers allow different outputs (lumen output and load) to fix color temperature versions

Finish

WH - White

BK - Black

CU - Custom Color

Specify RAL color

Dimming

0 - Non Dimmable 120v

1 - Non Dimmable 277v

4 - Dimmable 0-10v (4wires, 120/277 v)

Dimmable TRIAC (2 wires, max 25w, 120v)

requires more drivers if run is bigger than 2'

Runs

A - 1' nominal module 12.5w

B - 2' nominal module 25w

C - 3' nominal 35" 37.5w

D - 4' nominal module 50w

CU - Custom Length

Consult Factory

Total Run: (0 ft 0 in)

Distance between modules 1/8"

Emergency

00 - No Emergency

EM - Emergency

Adding emergency to a 4' means (2) drivers and (2) emergency packages if want all in emergency

If 4' has 2' with emergency and 2' without it, will have (2) drivers and (1) emergency package

Notes:

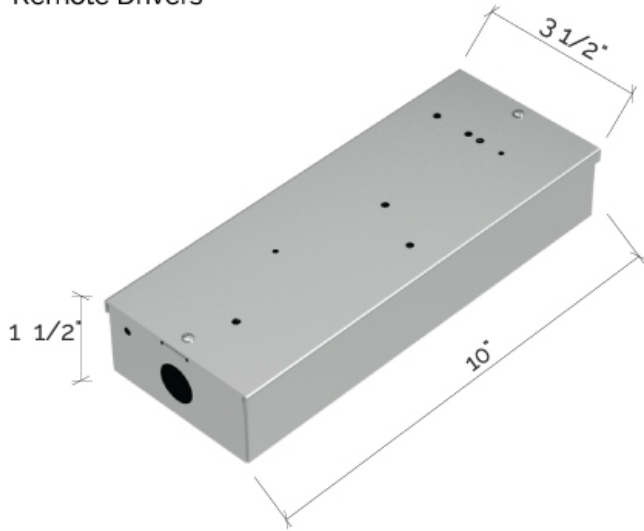
Cut Out Rectangular

Run + 1 9/16' x 2 1/6'

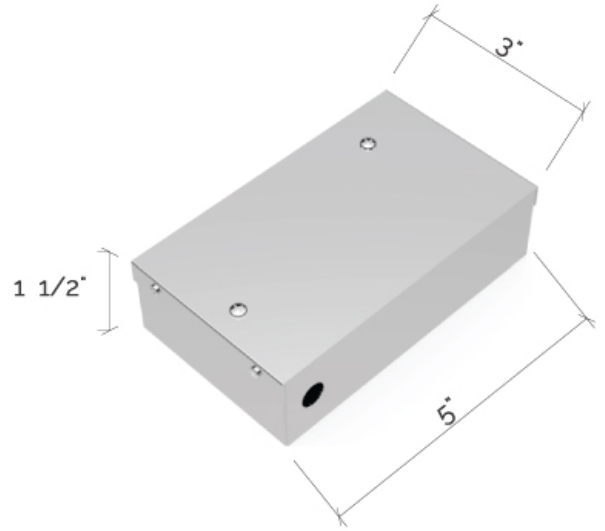
Height 3'

Max distance to remote drivers 20'

Remote Drivers



Driver Box for Dimm 0-10v
NTS



Driver Box Non Dimm and TRIAC drivers
NTS

