

# LeeSti Adjustable Trimless Wall

LeeSti / Wall



archlit reserves the right to make changes without prior notice. (05.11.2015)

LeeSti Adjustable Recessed Trimless Wall is a recessed linear lighting fixture in 1', 2' and 4' lengths. 3000 K and 2700 K color temperature available. Integrated into standard walls of 4", with it's 3" depth allows to aim them to the ceiling or space. A diffusing film in the lens prevents from seeing the lighting source dots (LED) generating a continuous line of light. Dimmable or non dimmable with 0-10v dimmers (0 to 10%) with 4 wires to connect to control systems or Triac versions (0-1%) with 2 wires that can be used with standard dimmers. Drivers remote The system is installed without tools, the lighting module is pushed up to install, pushed up to uninstall. Vertical or horizontal installation.

## LEARW

### LeeSti Adjustable Recessed Trimless Wall

#### Lumen Output

3017 - 3000 K 1200 lumens / ft 12 w /ft

3014 - 3000 K 1000 lumens / ft 10 w /ft

3011 - 3000 K 780 lumens / ft 7.5 w /ft

3008 - 3000 K 560 lumens / ft 5.5w /ft

3005 - 3000 K 350 lumens / ft 3.1 w /ft

3517 - 3500 K 1200 lumens / ft 12 w /ft

3514 - 3500 K 1000 lumens / ft 10 w /ft

3511 - 3500 K 780 lumens / ft 7.5 w /ft

3508 - 3500 K 560 lumens / ft 5.5w /ft

3505 - 3500 K 350 lumens / ft 3.1 w /ft

WhTu - White tuning 2700K @ 1050 lumens/foot

and 6500k @1200 lumens/foot 12.5 watt/foot

All Uplight versions with light will have a transparent diffuser

Use of programmable drivers allow different outputs (lumen output and load) to fix color temperature versions

#### Finish

WH - White

BK - Black

CU - Custom Color

Specify RAL color

#### Dimming Options

O - Non Dimmable 120v

1 - Non Dimmable 277v

4 - Dimmable 0-10v (4wires, 120/277 v)

Dimmable TRIAC (2 wires, max 25w, 120v)  
requires more drivers if run is bigger than 2'



# LeeSti Adjustable Trimless Wall

LeeSti / Wall

## Runs

A - 1' module 12.5w/foot nominal 12 inches

Cut out 2 1/4" x 13 1/8"

B - 2' module 25w nominal 23 3/4 inches

Cut out 2 1/4" x 24 1/2"

C - 3' module nominal 35 inches

Cut out 2 1/4" x 35 3/4"

D - 4' module 50w nominal 46 inches

Cut out 2 1/4" x 46 3/4"

Total Run: (0 ft 0 in)

## Emergency

00 - No Emergency

EM - Emergency

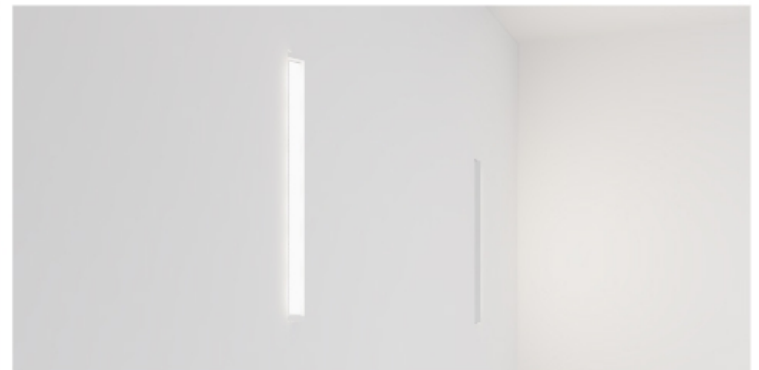
Adding emergency to a 4' means (2) drivers and (2) emergency packages if want all in emergency If 4' has 2' with emergency and 2' without it, will have (2) drivers and (1) emergency package

## Notes:

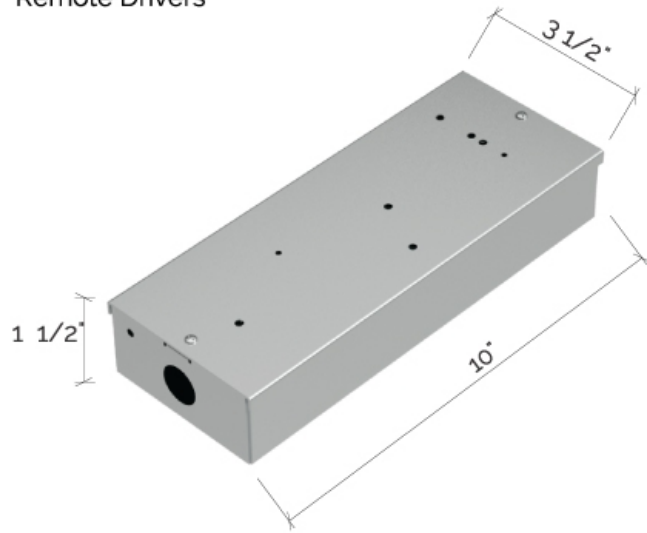
Drivers remote

Max distance to remote drivers 100'

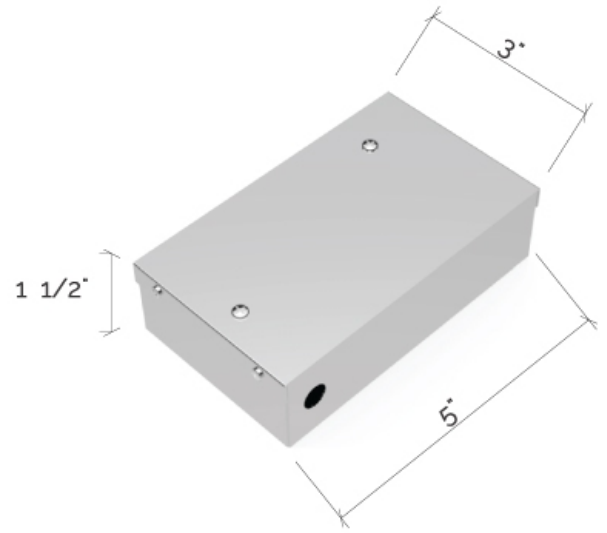
Runs of more than 4' can be accomplish, with modules of 1', 2', 3' and 4'



Remote Drivers



Driver Box for Dimm 0-10v  
NTS



Driver Box Non Dimm and TRIAC drivers  
NTS

