

archlit reserves the right to make changes without prior notice. (01.16.2024)

LeeSti Angle Behavioral Health is a lighting fixture in aluminum extrusion for Behavioral Health Applications with 1" aperture. Diffuser in polycarbonate with film for not seeing LED. The Programmable drivers allow the use of special outputs with the same hardware and kit (programmable at factory). Use in damp location with remote drivers. Tamper resistant lighting fixture, with special tamper screws for installation (requires a special screw driver for installation). Based on the guide for ligature resistant of the office of Mental Health of New York State. Special wiring possible depending on project needs. Trim and Trimless versions. Ligature resistant

LeAngBe

LeeSti Angle Behavioral Health

LeAngBe

Lumen Output

- 3017 - 3000 K 1200 lumens / ft 12 w /ft
  - 3014 - 3000 K 1000 lumens / ft 10 w /ft
  - 3011 - 3000 K 780 lumens / ft 7.5 w /ft
  - 3008 - 3000 K 560 lumens / ft 5.5w /ft
  - 3005 - 3000 K 350 lumens / ft 3.1 w /ft
  - 3517 - 3500 K 1200 lumens / ft 12 w /ft
  - 3514 - 3500 K 1000 lumens / ft 10 w /ft
  - 3511 - 3500 K 780 lumens / ft 7.5 w /ft
  - 3508 - 3500 K 560 lumens / ft 5.5w /ft
  - 3505 - 3500 K 350 lumens / ft 3.1 w /ft
  - WhTu - White tuning 2700K @ 1050 lumens/foot and 6500k @1200 lumens/foot 12.5 watt/foot
- All Uplight versions with light will have a transparent diffuser  
 Use of programmable drivers allow different outputs (lumen output and load) to fix color temperature versions

Finish

- WH - White
  - BK - Black
  - CU - Custom Color
- Specify RAL color

Dimming

- 4 - Dimmable 0-10v (4wires, 120 or 277 v)
- O - Non dimmable 120v
- 1 - Non dimmable 277v

Flange

- Ts - Trimless
- Tm - Trim

Aiming Angle

- 15d - Angle 15 degree from Vertical
  - 30d - Angle 30 degree from Vertical
  - 45d - Angle 45 degree from Vertical
- Specify angle so it can be determined at factory.  
 Angle can be modified at site, with minimal tools



**Length**

- B - 2' nominal 23 7/8"
- C - 3' nominal 34 3/8"
- D - 4' nominal 46 3/8"
- E - 5' nominal 56 7/8"
- F - 6' nominal 68 7/8"

**Reading Light**

- NRea - No reading light
  - 1Rea - 1' nominal reading Light
  - 2Rea - 2' nominal reading light
- Provides ambient, exam and reading modes  
 For 1' reading need at least 2' module  
 For 2' reading need at least 3' module

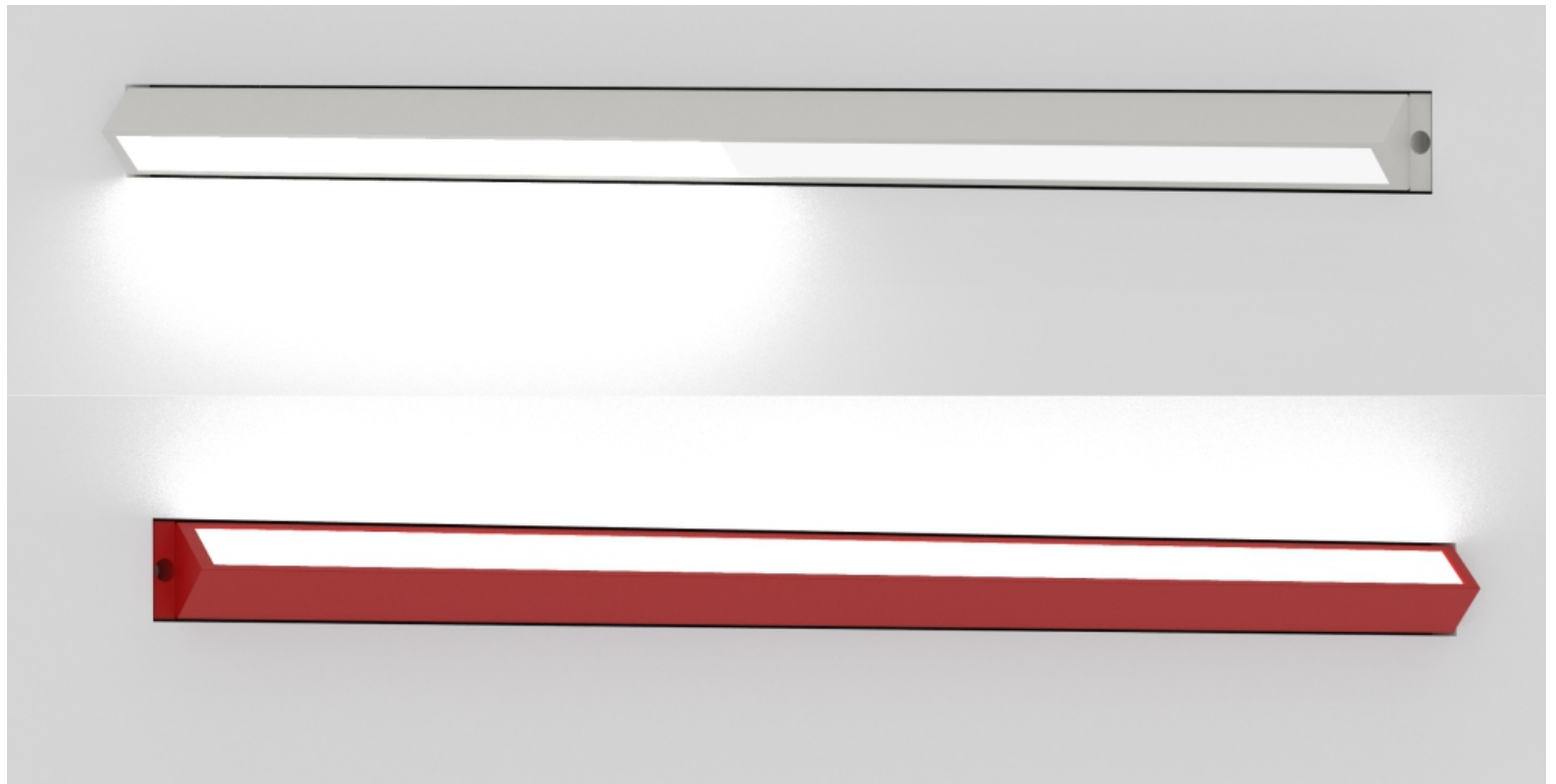
**Emergency**

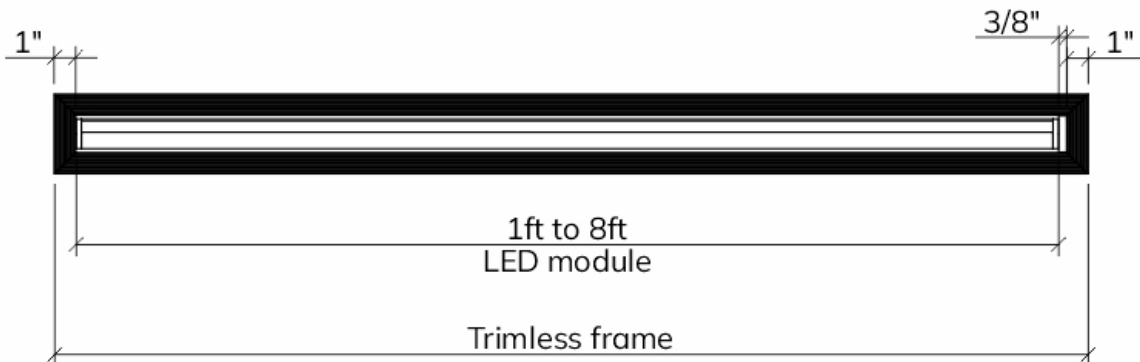
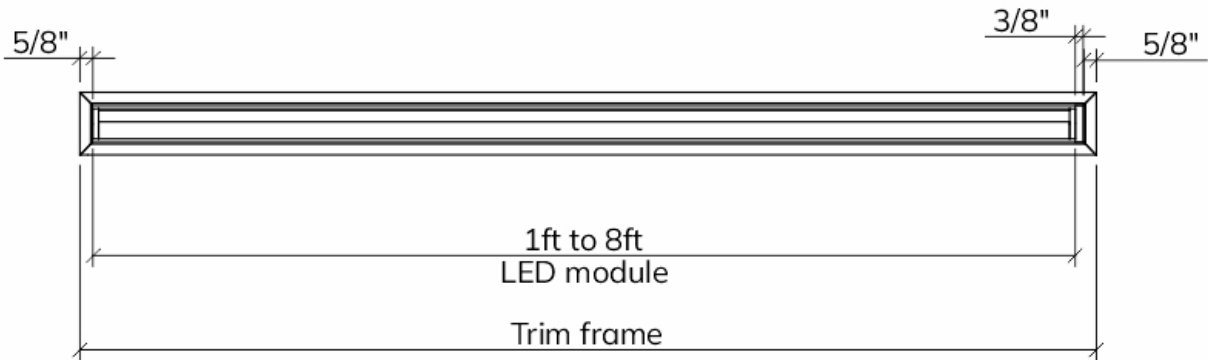
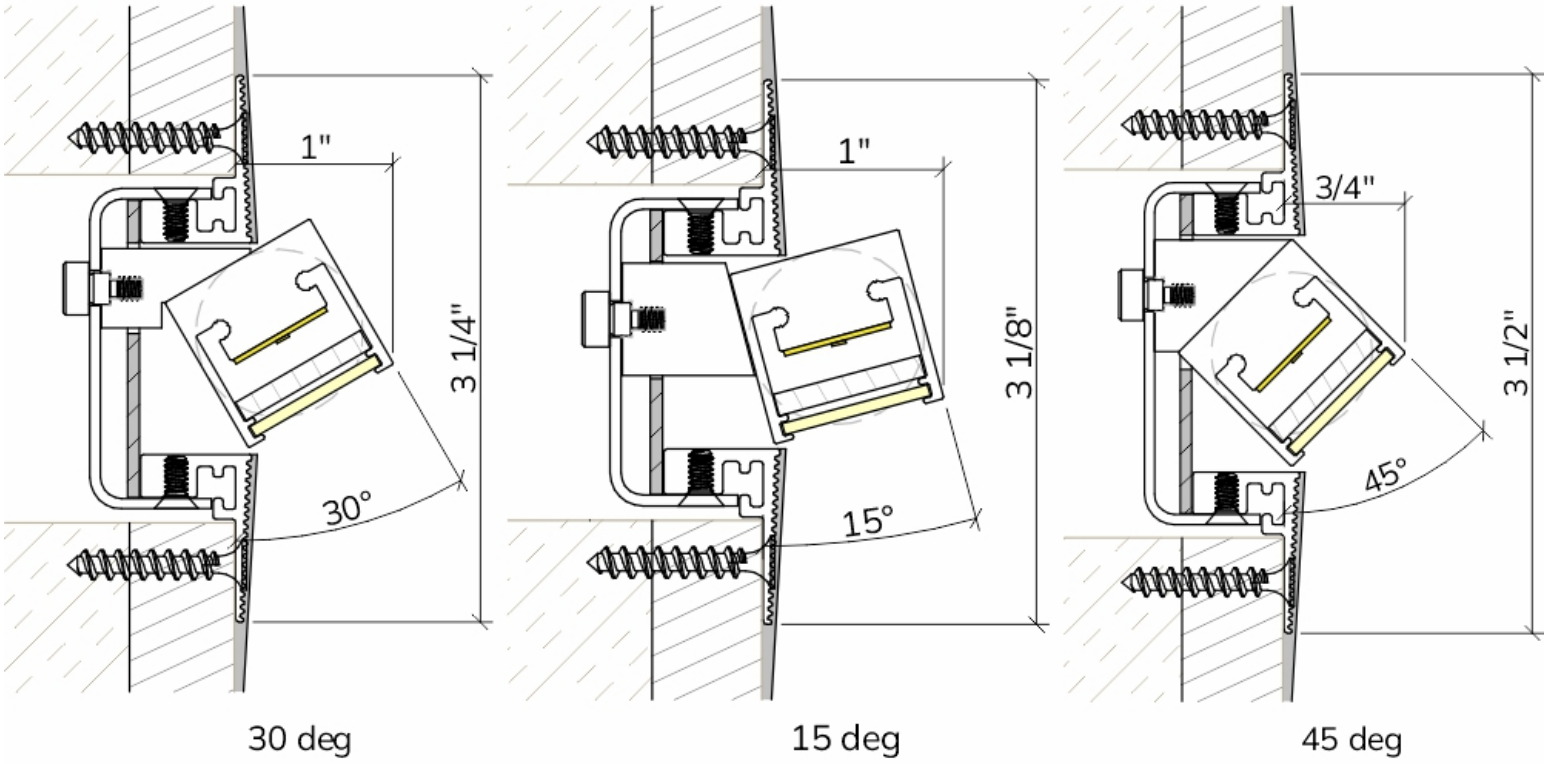
- 00 - No Emergency
  - EM - Emergency
- Specify qty only if Emergency*  
 Specify quantity of 4' nominal runs in runs  
 2' can also have emergency if needed by configuration

Reading light implies (2) drivers and switches per fixture

**Notes:**

- Drivers remote
- Max distance to drivers 60'
- MacAdam 3, more than 90 CRI LED, RA 9 more than 50%
- Luminaires for Behavioral Health Applications

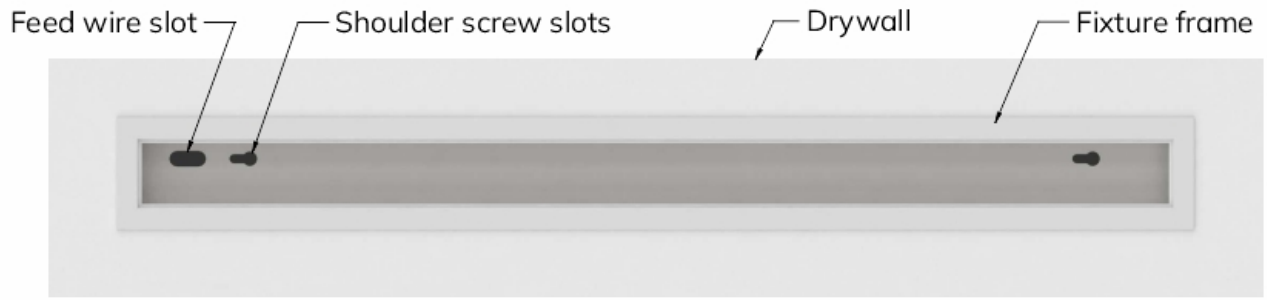




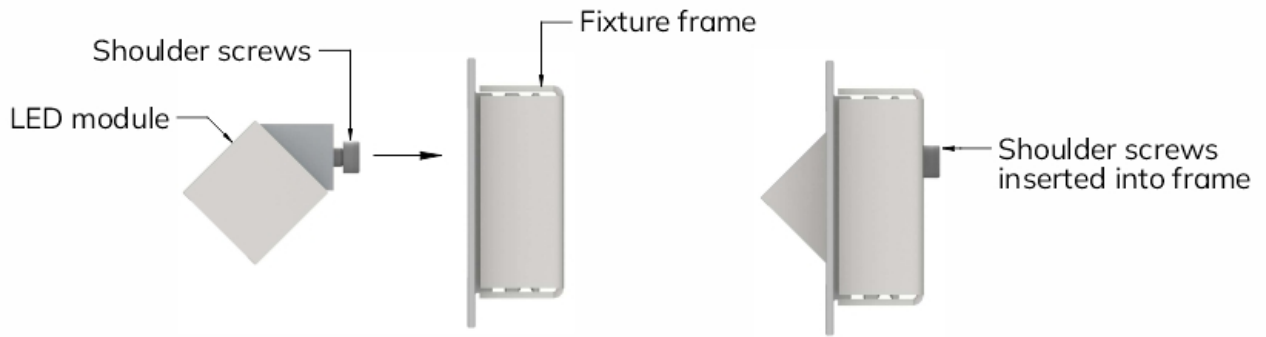


Nominal size	LED module with endcaps	Trim frame	Trimless frame
1ft	12"	13-5/8"	14-3/8"
2ft	24"	24-5/8"	26-3/8"
3ft	34-1/2"	36-1/8"	36-7/8"
4ft	46-1/2"	48-1/8"	48-7/8"
5ft	57"	58-5/8"	59-3/8"
6ft	69"	70-5/8"	71-3/8"
7ft	79-1/2"	81-1/8"	81-7/8"
8ft	91-1/2"	93-1/8"	93-7/8"

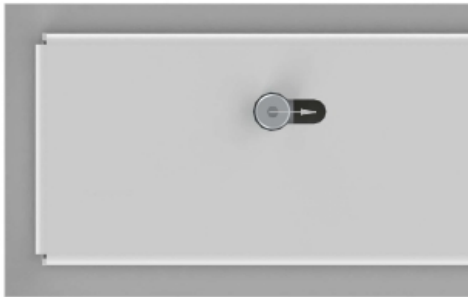




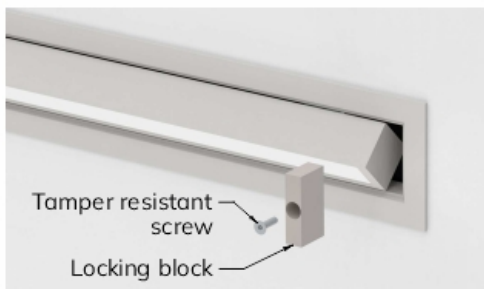
*Frame installed to drywall*



*Insert LED module into Frame by aligning Shoulder screws to slots in frame*



*Slide Shoulder screws to partially lock module in frame*



*Secure Locking block to frame using Tamper resistant screw*



### Driver Boxes

