

archlit reserves the right to make changes without prior notice. (08.26.2022)

LeeSti BrytDyt semi recessed is a lighting system in aluminum extrusion with proprietary LED boards. With diffuser and special film that hides the dots of the LED boards if direct, indirect with no film, for higher output if reflective surface is not glossy. Programmable drivers allow the use of special output. Levels are suggested ones for covering a huge spectrum, drivers are programmable at factory.

Three aiming angles possible, 15, 30 and 45 degree. Setting up at factory and possible adjustment at site requesting devices to factory. Angles are fixed so there is a precise aiming of light per designer's specs.

Installation as indirect lighting, distance to ceiling minimum 12" (optimal 18 to 24 inches). Lighting fixture prepare to be installed at 5/8" drywall. Drivers are remote up to 80 feet or integral at back (with access to change the driver in a box to make the splice). No more issues with joists or studs.

LeSeBry

LeeSti Semi recessed BrytDyt

LeSeBry -

Lumen Output

- 3017 - 3000 K 1200 lumens / ft 12 w /ft
 - 3014 - 3000 K 1000 lumens / ft 10 w /ft
 - 3011 - 3000 K 780 lumens / ft 7.5 w /ft
 - 3008 - 3000 K 560 lumens / ft 5.5w /ft
 - 3005 - 3000 K 350 lumens / ft 3.1 w /ft
 - 3517 - 3500 K 1200 lumens / ft 12 w /ft
 - 3514 - 3500 K 1000 lumens / ft 10 w /ft
 - 3511 - 3500 K 780 lumens / ft 7.5 w /ft
 - 3508 - 3500 K 560 lumens / ft 5.5w /ft
 - 3505 - 3500 K 350 lumens / ft 3.1 w /ft
 - WhTu - White tuning 2700K @ 1050 lumens/foot and 6500k @1200 lumens/foot 12.5 watt/foot
- All Uplight versions with light will have a transparent diffuser
Use of programmable drivers allow different outputs (lumen output and load) to fix color temperature versions

Finish

- WH - White
- BK - Black
- CU - Custom Color
- Specify RAL color



Dimming

- - Non dimmable 120v
- 1 - Non dimmable 277v
- 4 - Dimmable 0-10v (4wires, 120 or 277 v)

Runs

- B - 2' nominal 24 1/4"
- C - 3' nominal 34 3/4"
- D - 4' nominal 46 3/4"
- E - 5' nominal 57 1/4"
- F - 6' nominal 69 1/4"
- G - 7' nominal 79 3/4"
- H - 8' nominal 91 3/4"

Total Run: (0 ft 0 in)

Extrusions max length is 8' nominal

Product can be adjust from nominal sizes in multiples of 1.5".

Factory will produce submittals

archlit recommends 4' max for transport

Emergency

- 00 - No Emergency
- EM - Emergency
- Specify qty only if Emergency
- Specify quantity of 4' nominal runs in runs

Flange

- Ts - Trimless
- Tm - Trim

Space position

- Wup - Wall Up
- Wdn - Wall Down
- Cei - Ceiling washer

Notes:

- More than 90 CRI
- McAdam 3 ellipse
- Drivers remote @ max 80'

Aiming angle

- 15d - Angle 15 degree from Vertical
- 30d - Angle 30 degree from Vertical
- 45d - Angle 45 degree from Vertical
- Specify angle so it can be determined at factory.
- Angle can be modified at site, with minimal tools.

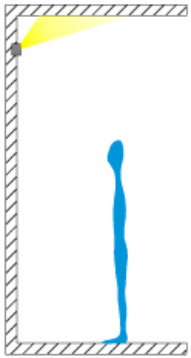
Light Shielding

- Dd - Frosted diffuser
- Use if reflected surface is gloss so dots of boards are not seen
- Nof - No film
- No film to use indirect if surface is not gloss so dots can't be seen as a reflection
- Runs can include different Shieldings
- Specify qty if Shielding is different in modules of same run.

archlit will generate submittals for runs

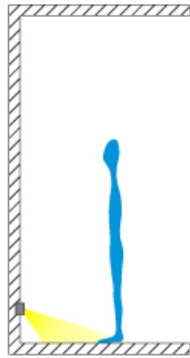


Space Position



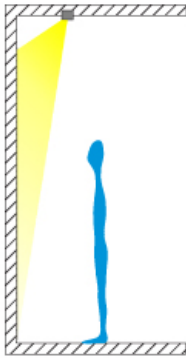
Wall Up

Wup



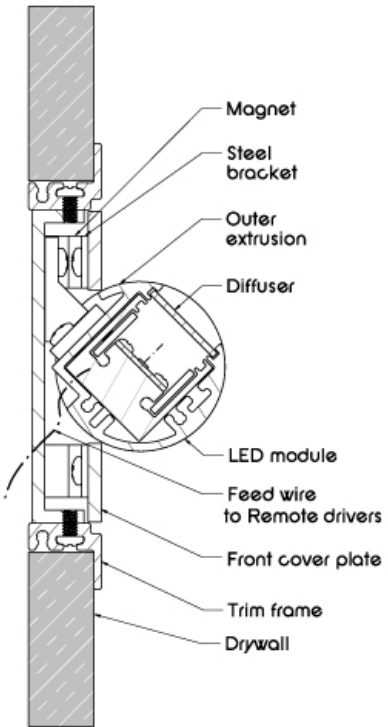
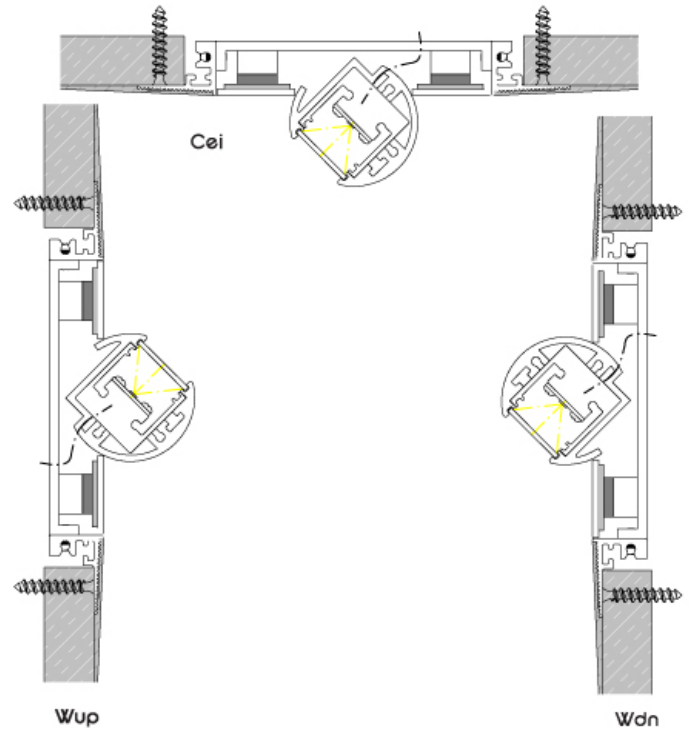
Wall Down

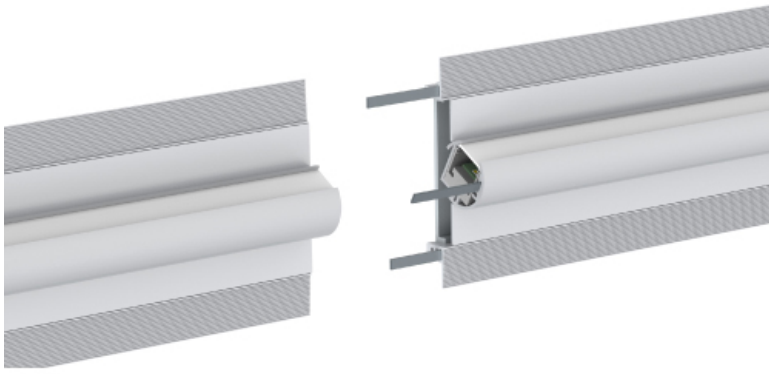
Wdn



Ceiling Washer

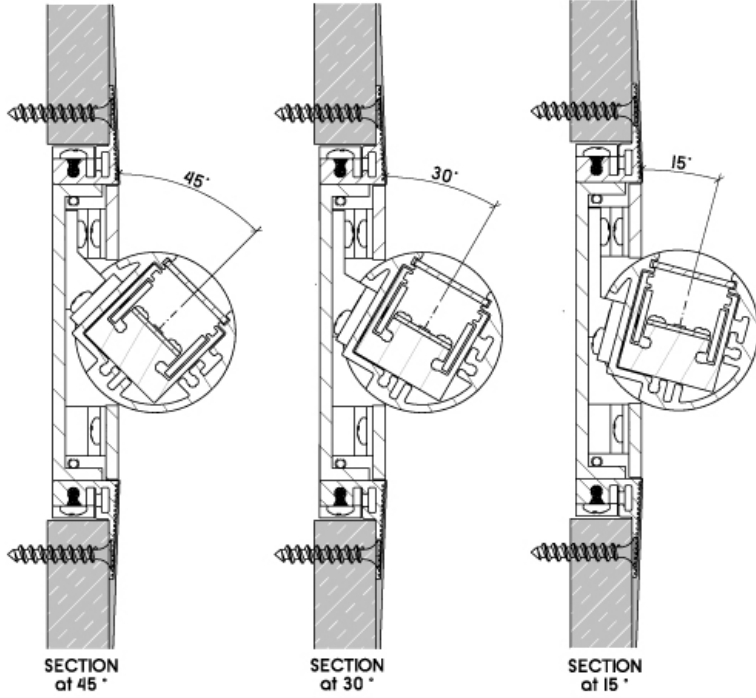
Cei

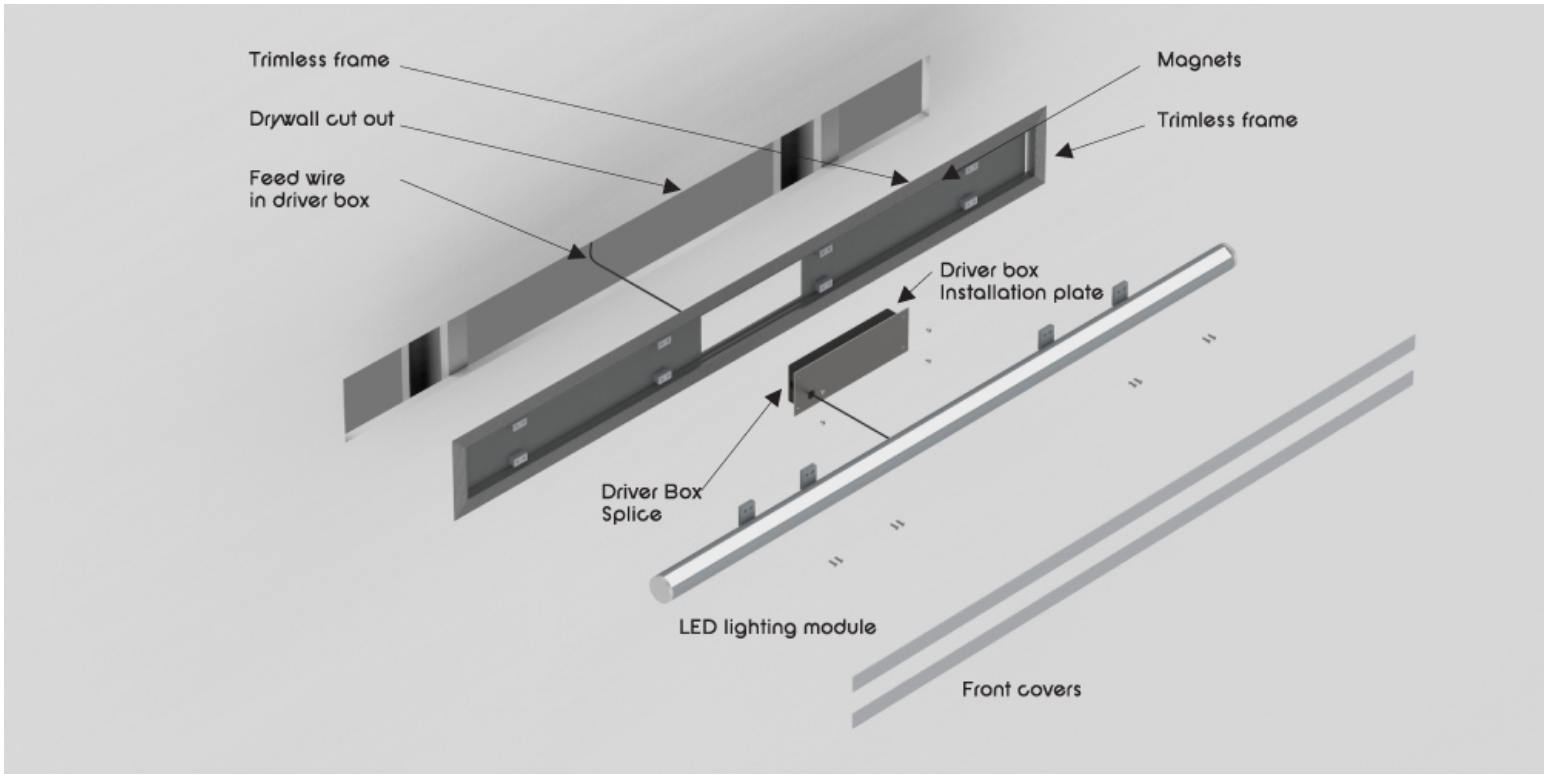




Alignment with aluminum bars

max length of modules 8'
archlit suggests 4' modules for transport and work at job site





Driver Boxes

