

LeeSti BrytDyt Trimless - 45°

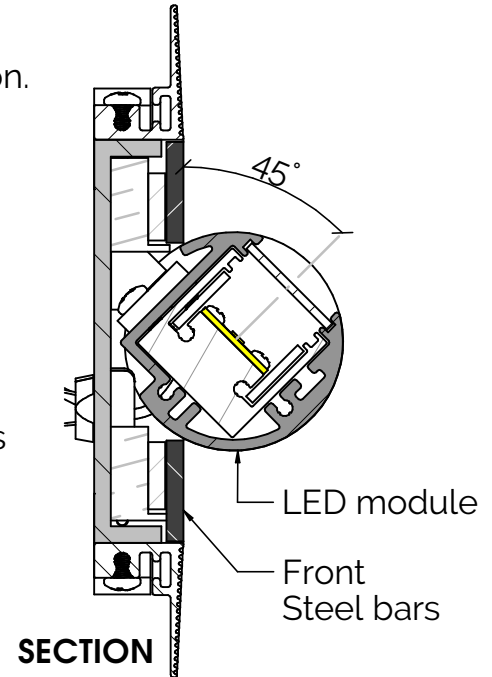
Installation Instructions

archlit
architecture lit

Please read these instructions completely before attempting this installation.

CAUTION-RISK OF FIRE. THIS PRODUCT MUST BE INSTALLED IN ACCORDANCE WITH THE APPLICABLE INSTALLATION CODE BY A PERSON FAMILIAR WITH THE CONSTRUCTION AND OPERATION OF THE PRODUCT AND HAZARDS INVOLVED.

1. Disconnect electrical power from lighting circuit before installation.
2. Make sure LED drivers, Linear LED Modules and all other fixture components are present.
3. This installation assumes Class 2 two conductor wires have been run from fixture mount location to LED driver enclosure location.
4. Install LED driver enclosure as shown on Page 7 of 7, in an accessible, dry and well ventilated location using the screw holes provided on enclosure flange.
5. Make wire connection from LED driver to two conductor Class 2 wire, running in wall/ceiling with wire nuts (not included).
6. Cutout drywall at fixture mount location as per Submittal.



Fixture assembly parts Exploded view

Feed wire from Remote drivers

Wirenuts (by others)

Fixture frame assembly (with magnets)

Drywall cutout

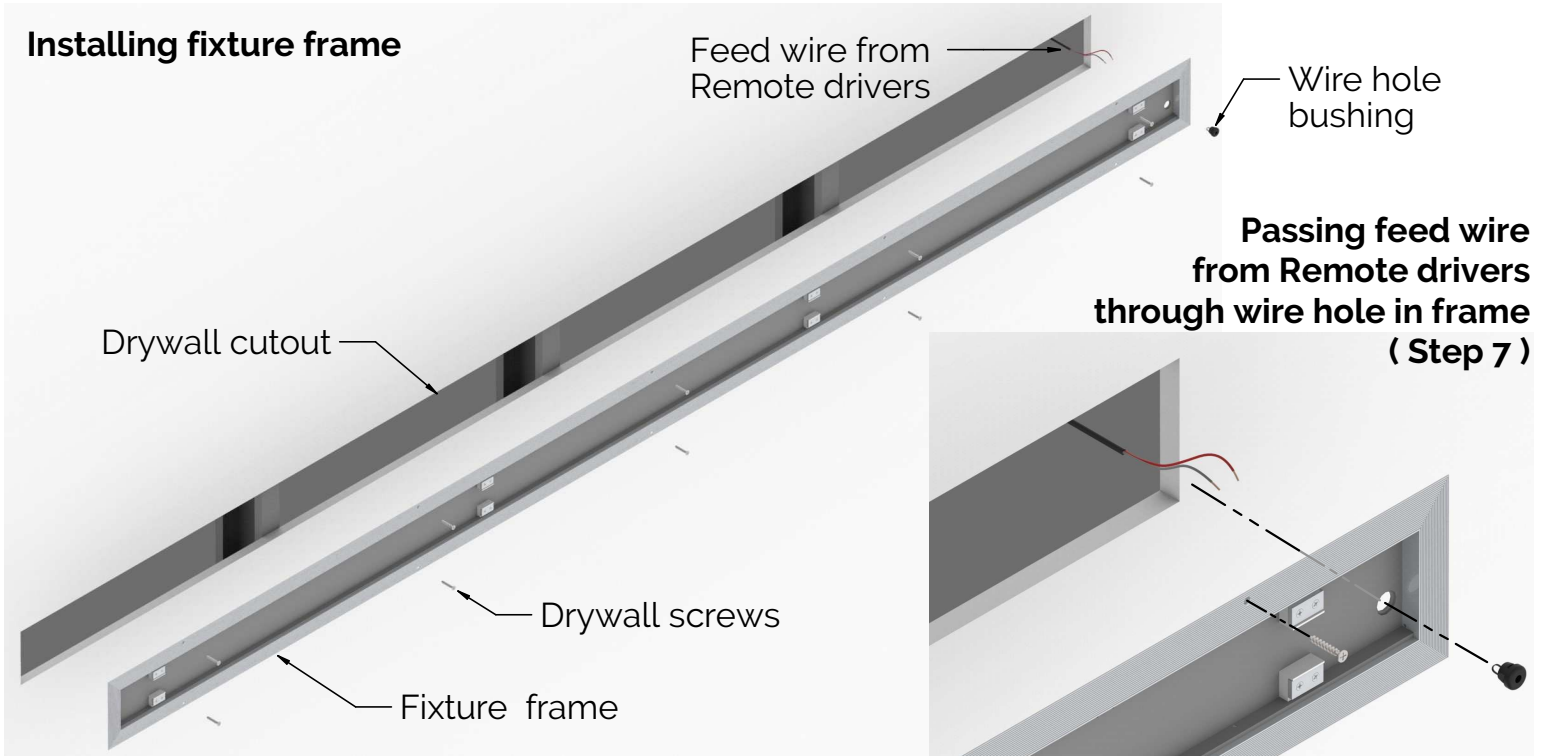
Front Steel bars

LED module assembly

LeeSti BrytDyt Trimless - 45°

Installation Instructions

archlit
architecture lit

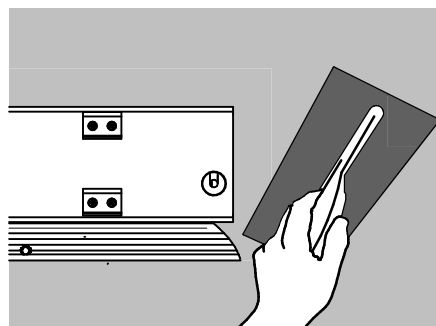
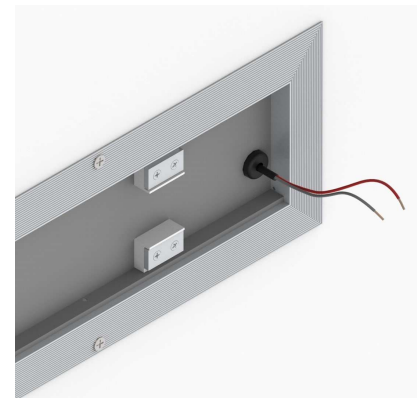
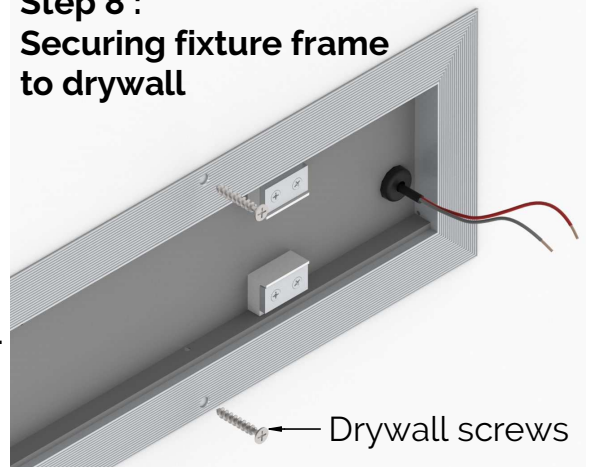


7. Insert feed wire from Remote drivers into fixture frame through feed wire hole on U-channel at fixture ends to connect to LED module wires later. Make sure to use wire bushing (provided) in hole to avoid wire cutting.

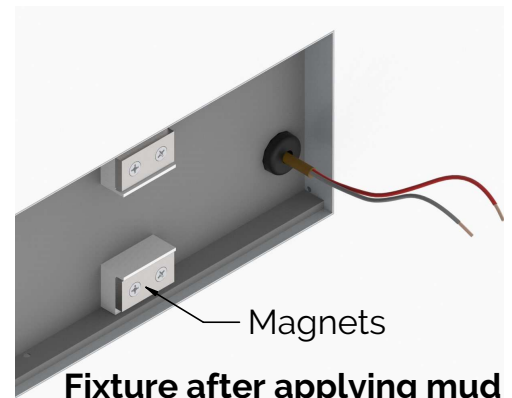
8. Insert fixture frame into drywall cutout till trimless flanges touch drywall. Secure it to drywall using drywall screws (not provided) at marked locations on each trimless flange/extrusion.

9. Finish wall\ ceiling by covering trimless flange with mud. Donot applying mud on inner surface of trimless extrusion. Make sure front surface of magnets (present inside frame) remain free from dust.

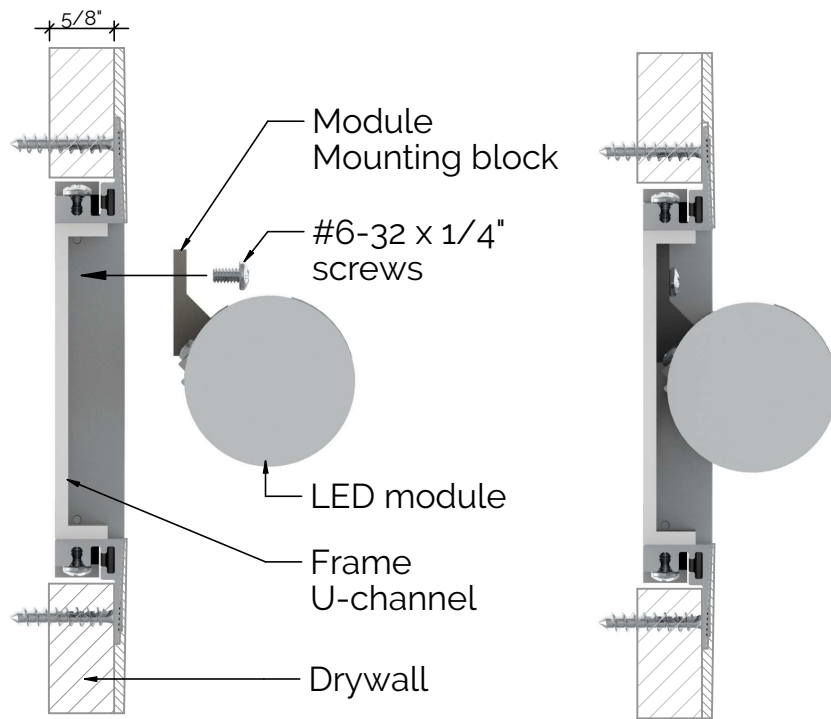
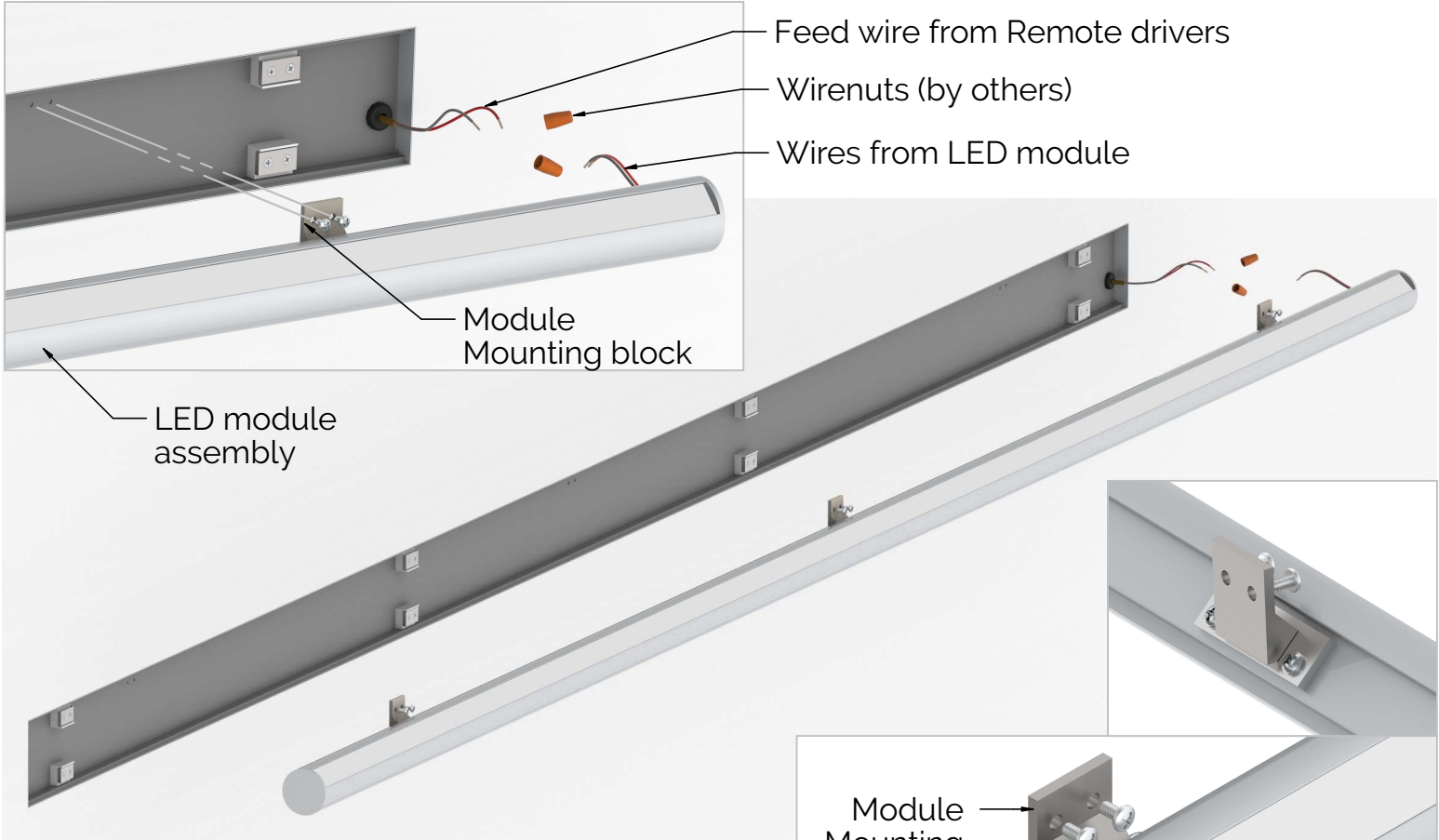
Step 8 : Securing fixture frame to drywall



Step 9 : Drywall Finish / Applying mud

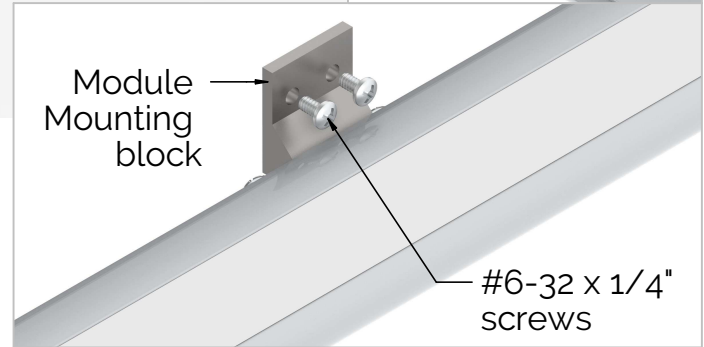


Step 10 : Making Feed wire connections



Section /
Installing LED module

Section /
LED module installed



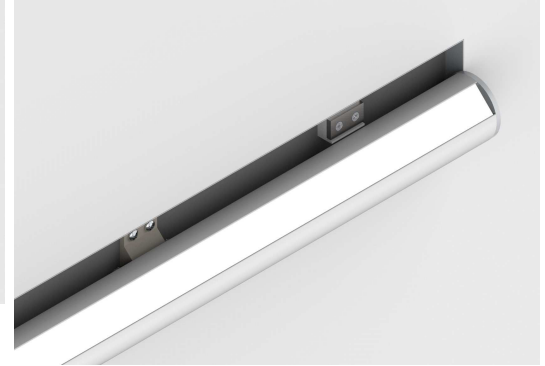
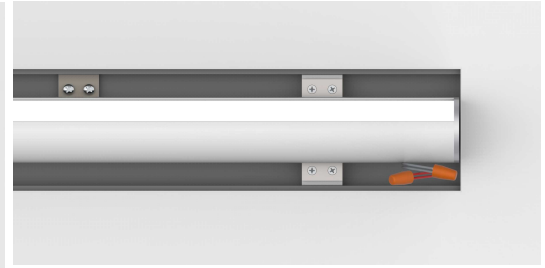
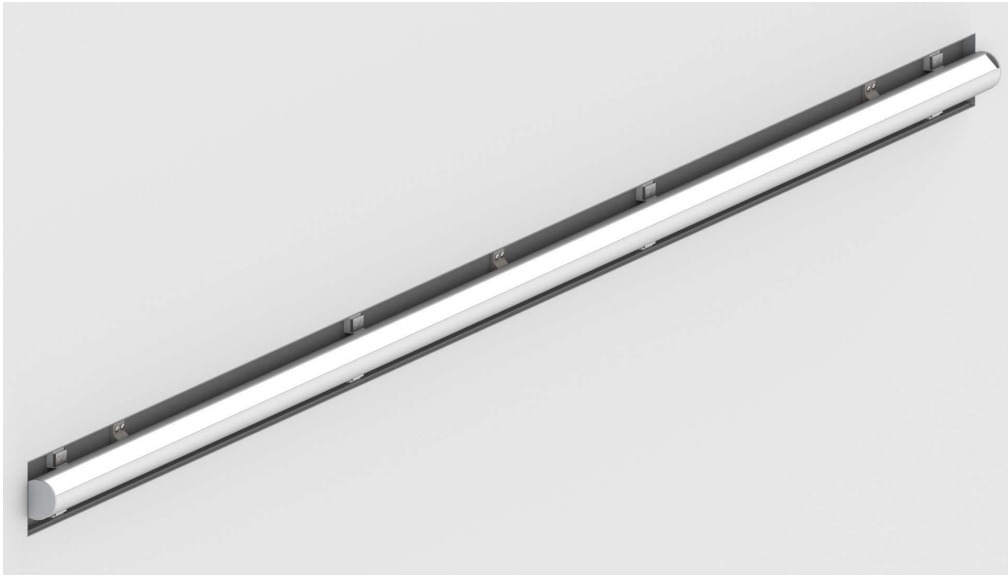
10. Connect feed wires from Remote Drivers to wires from LED module using wirenuts (not provided).
11. Insert LED module into fixture frame and align each Module Mounting blocks (secured to LED module) to screw holes on U-channel.
12. Secure each Module Mounting block to U-channel using (2) 6-32 x 1/4" Phillips pan head screws.

Step 11 : Securing LED module to Frame U-channel

LeeSti BrytDyt Trimless - 45°

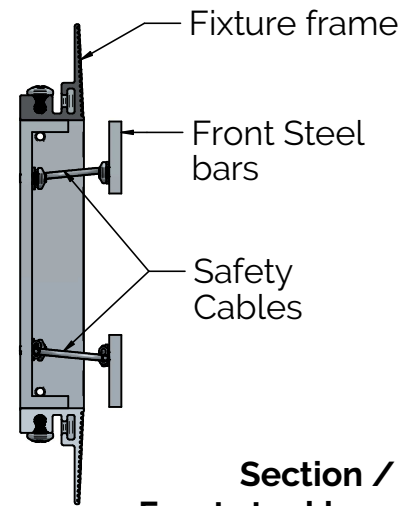
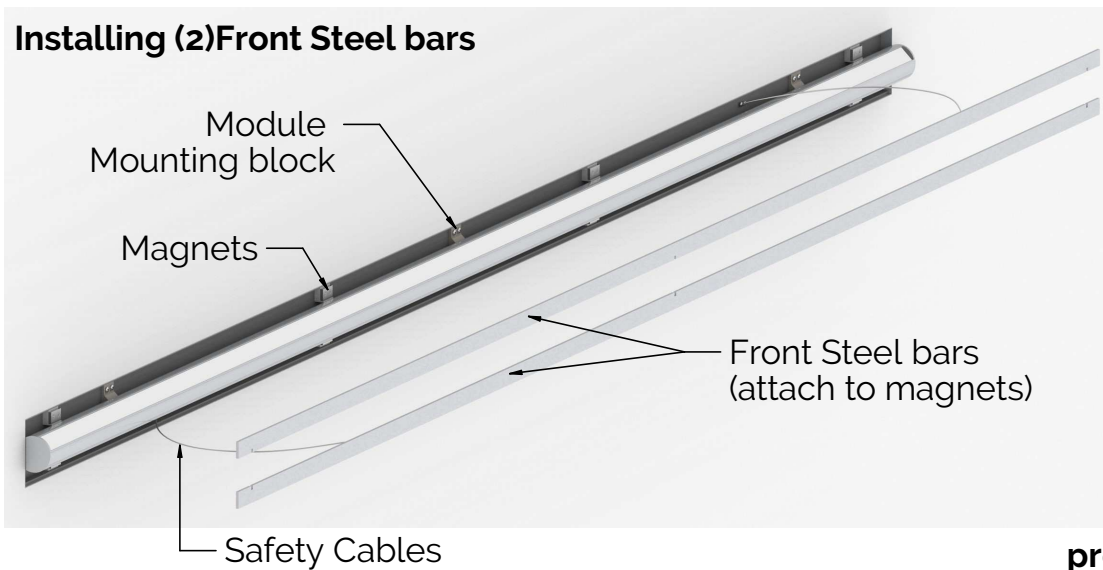
Installation Instructions

archlit
architecture lit



LED module secured to Frame U-channel

Installing (2) Front Steel bars

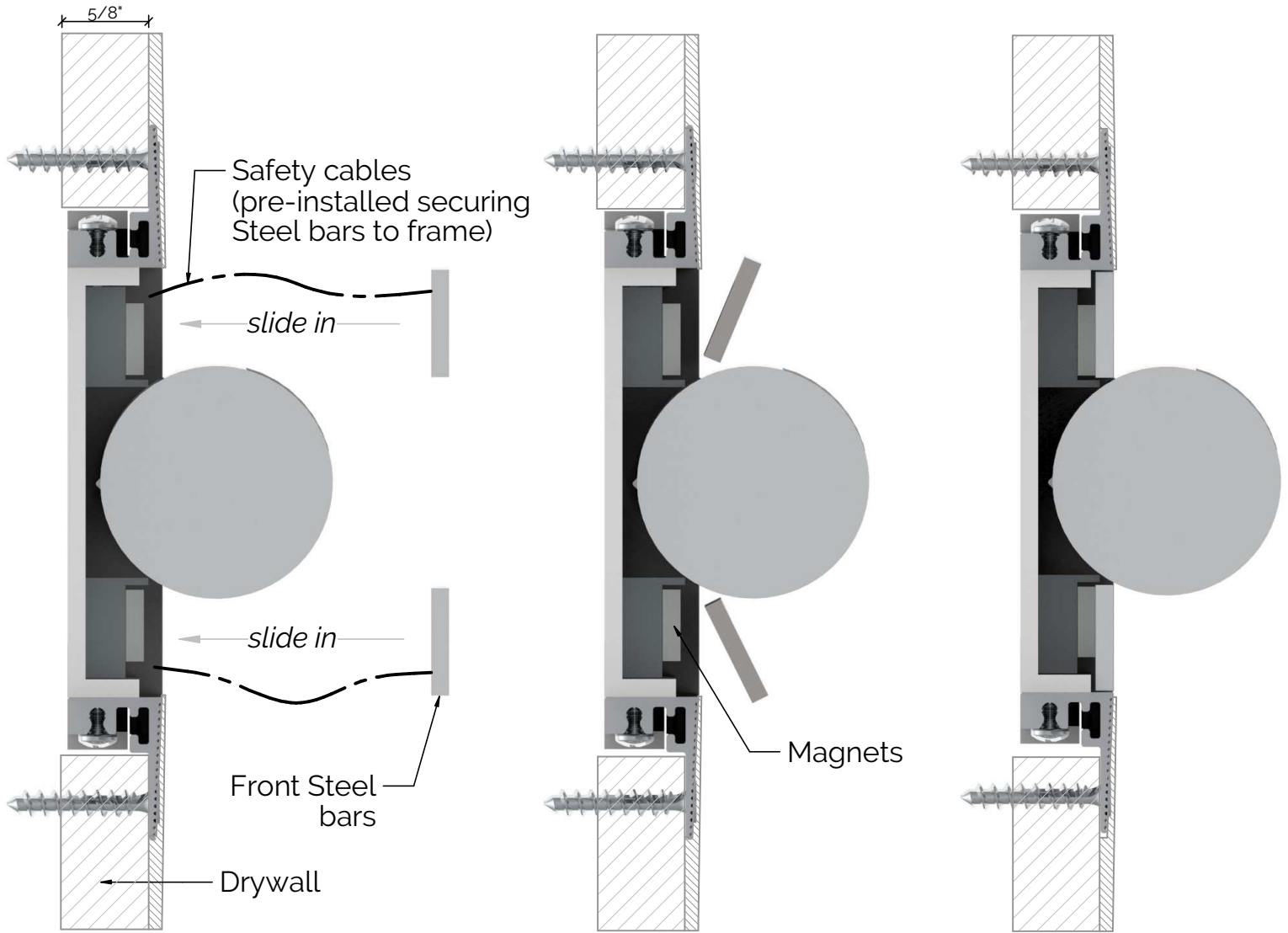


Section / Front steel bars pre-secured by safety cables

13. Make sure there is no pinched wire and wirenuts are not interfering with LED module.
14. Insert both Front Steel bars into frame in tilted position and centered to frame length.
15. Slide and push inwards to snap them to magnets. Make sure both upper and lower Front Steel bars are installed straight and parallel to frame.
16. Front Steel bars are pre-secured to frame by Safety cable, make sure they are placed well inside frame. The notches on Steel bars at both ends aid in uninstalling. Make sure the side with notches is placed towards LED module for both Steel bars.
17. To uninstall Front Steel bars insert a allen key into slots provided on them and pull out to detach bars from magnets. Make sure not to damage drywall.

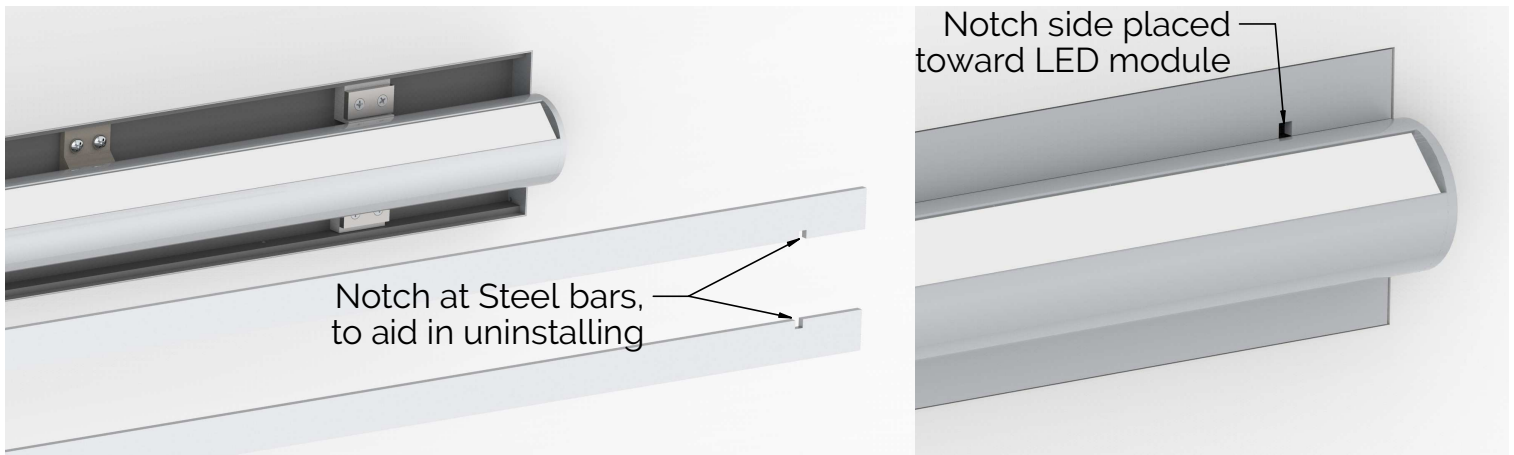
LeeSti BrytDyt Trimless - 45°

Installation Instructions



Steps (14-16): Installing (2) Front Steel bars

*Steel plates install straight
and aligned to frame*

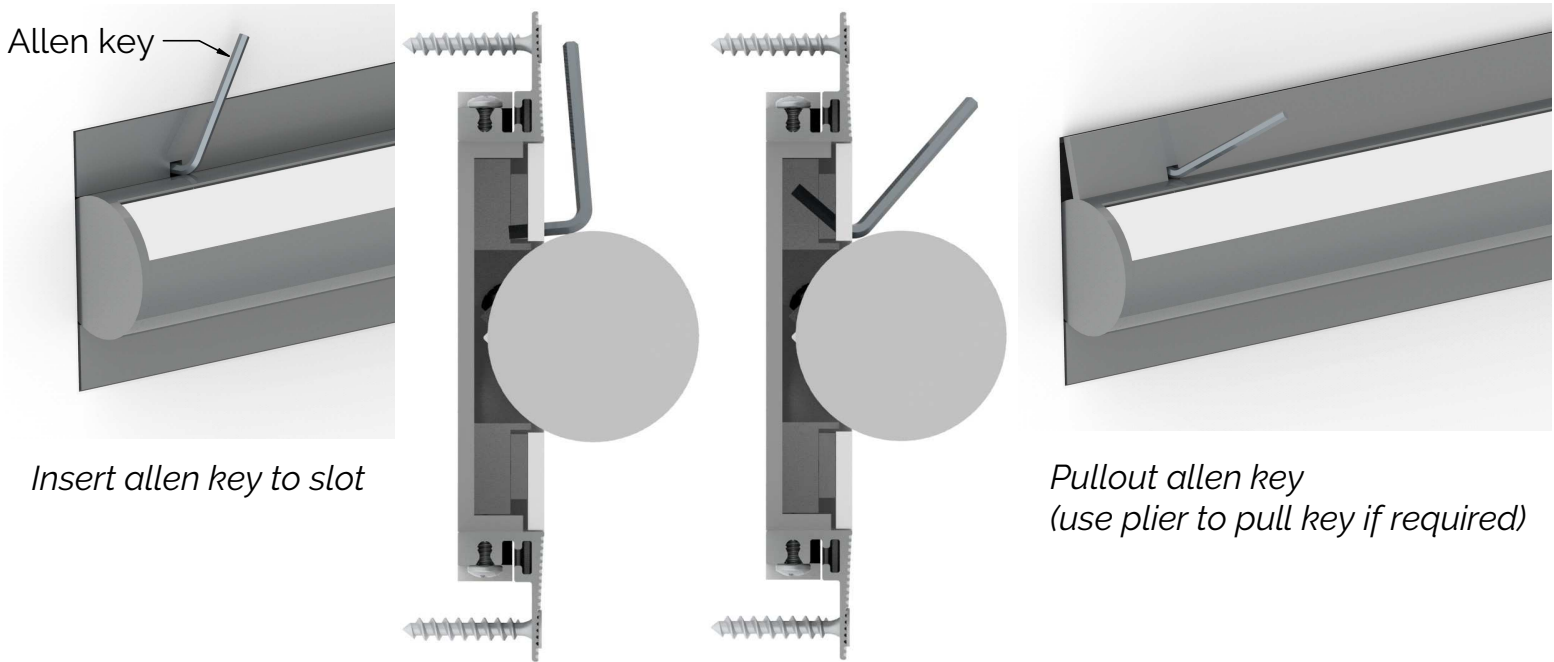


Front view / Finished fixture



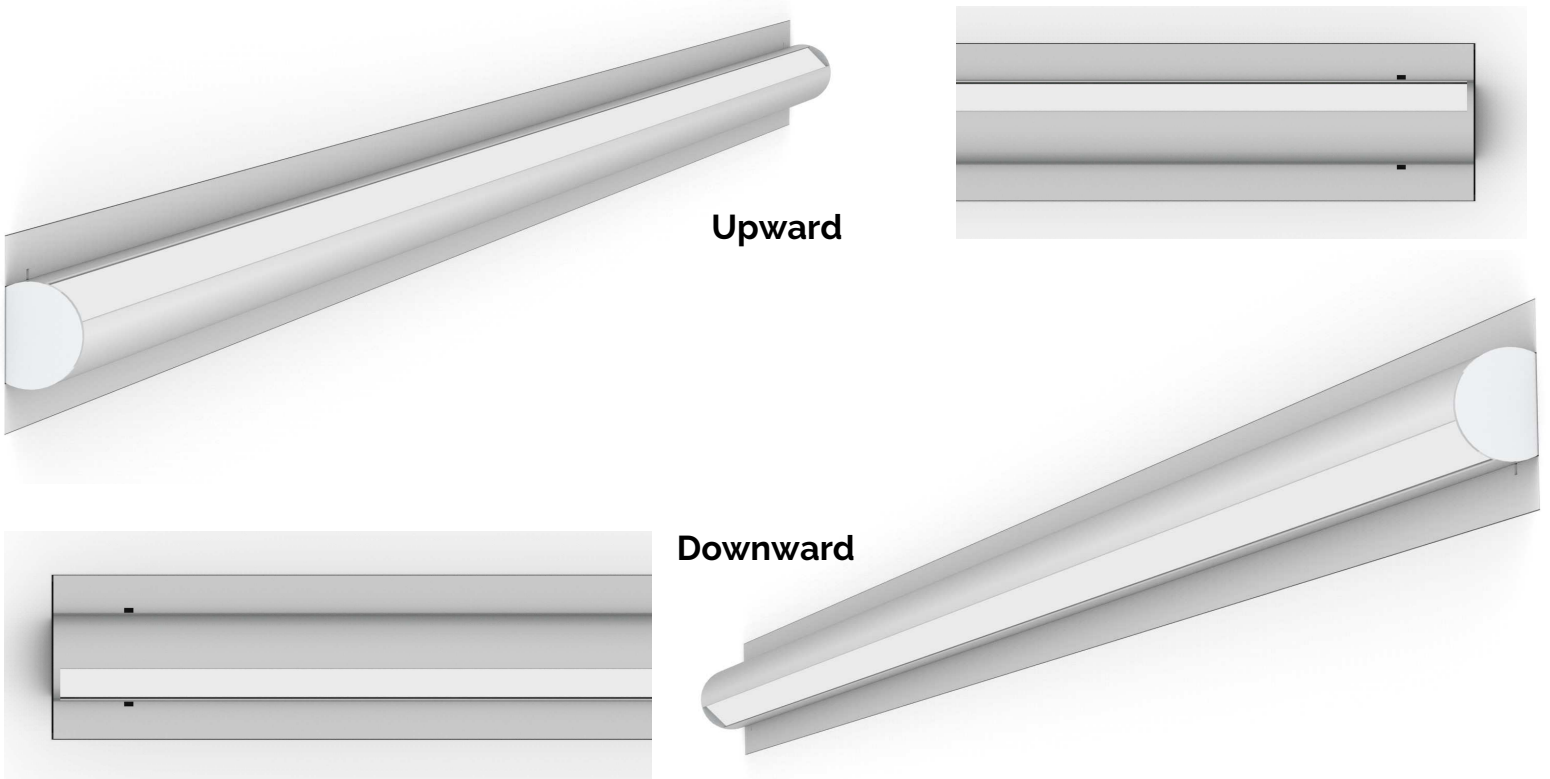
LeeSti BrytDyt Trimless - 45°

Installation Instructions



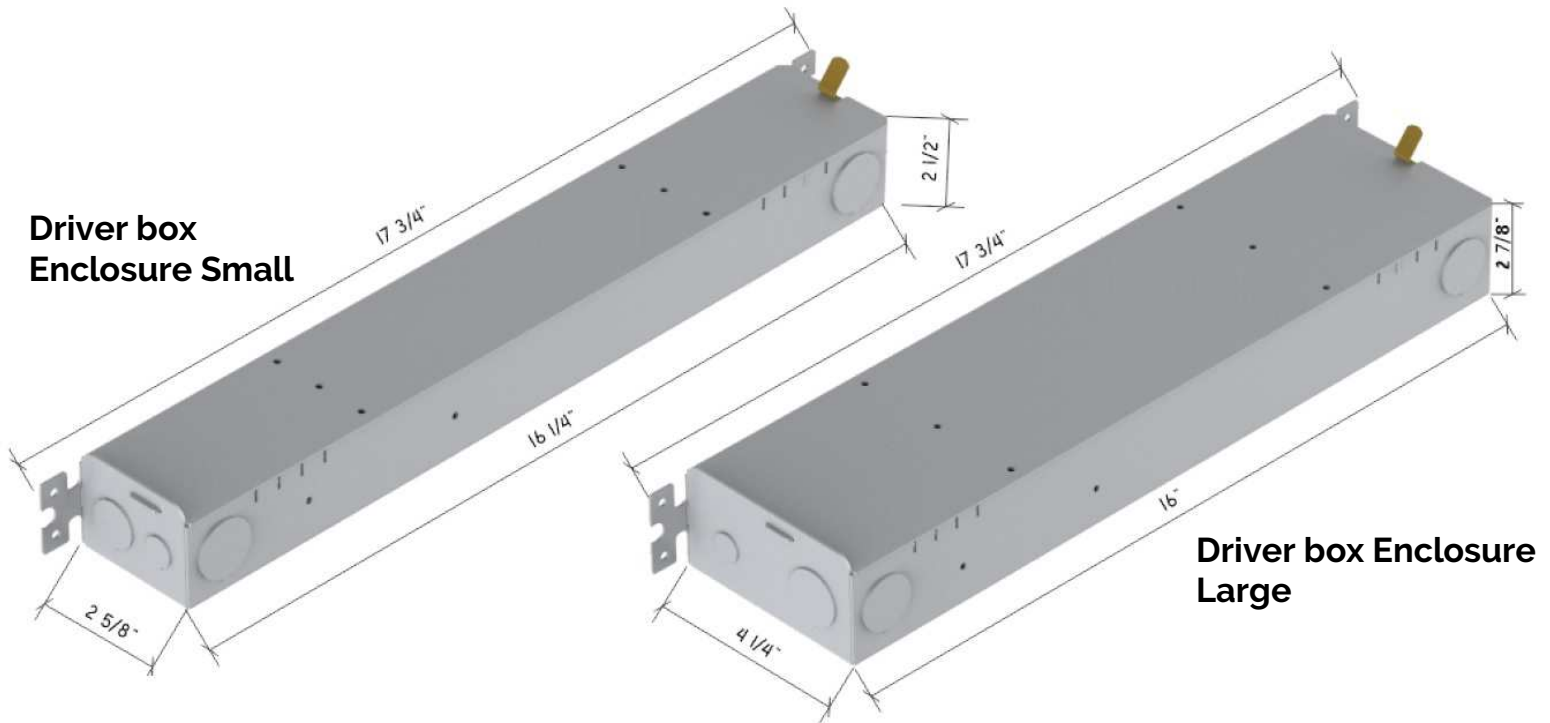
Steps (17): Uninstalling Front Steel bars (if required)

18. Make sure fixture is well secured to wall\ceiling and there are no pinched or exposed wires.
19. Make Mains power connection to LED driver using provided connector inside driver enclosure.
Make sure Mains power Ground wire is secured to green ground wire inside driver enclosure.
20. Restore Mains power.

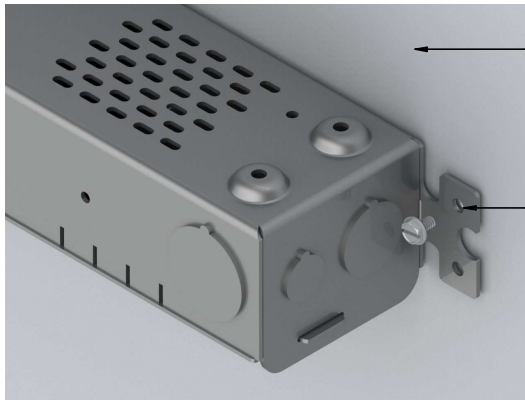


LeeSti BrytDyt Trimless - 45°

Installation Instructions



Installing Driver enclosure



Secure Driver box enclosure flange to remote mounting surface by a screw at each end of enclosure

