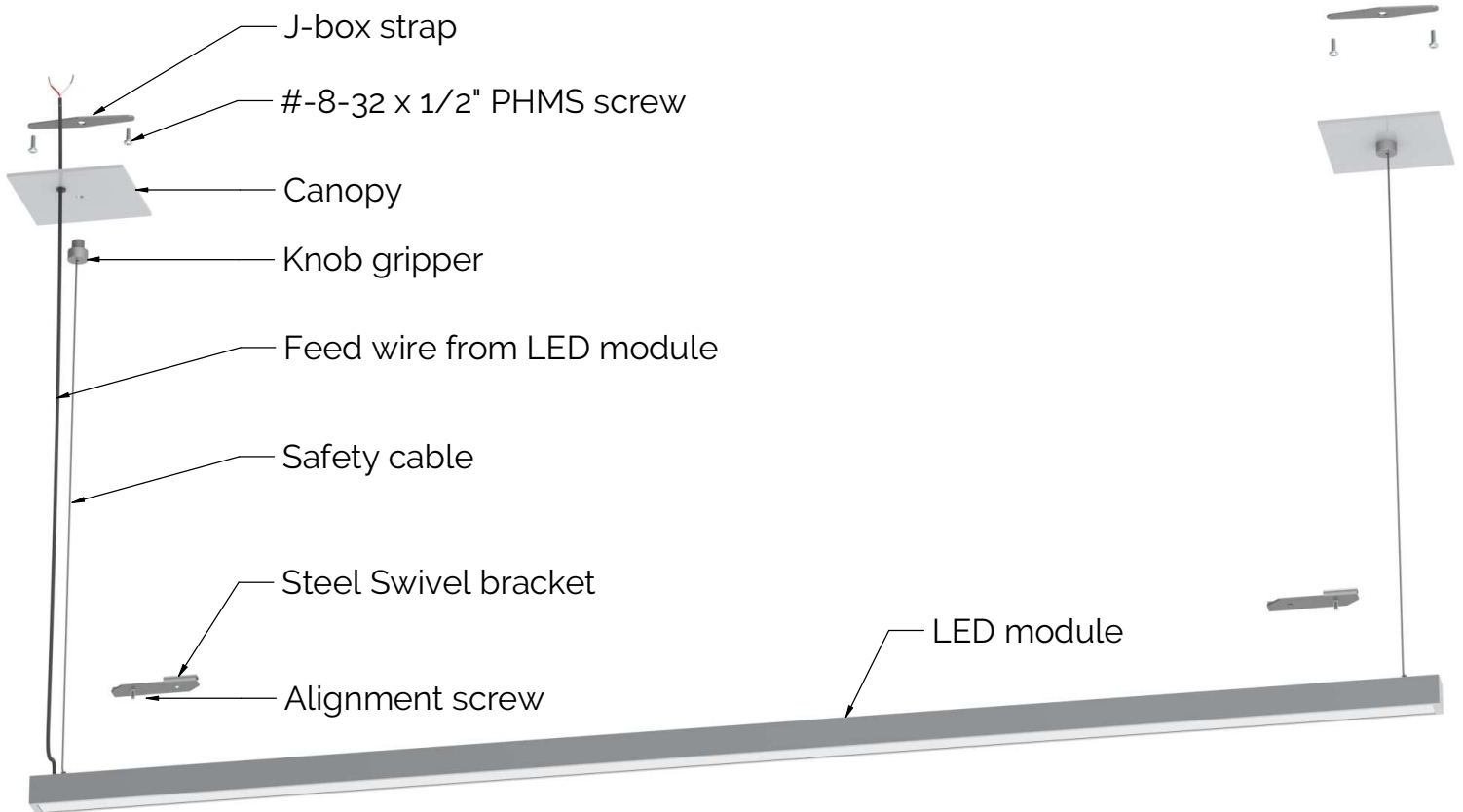


PLEASE READ THESE INSTRUCTIONS PRIOR TO INSTALLING THIS PRODUCT

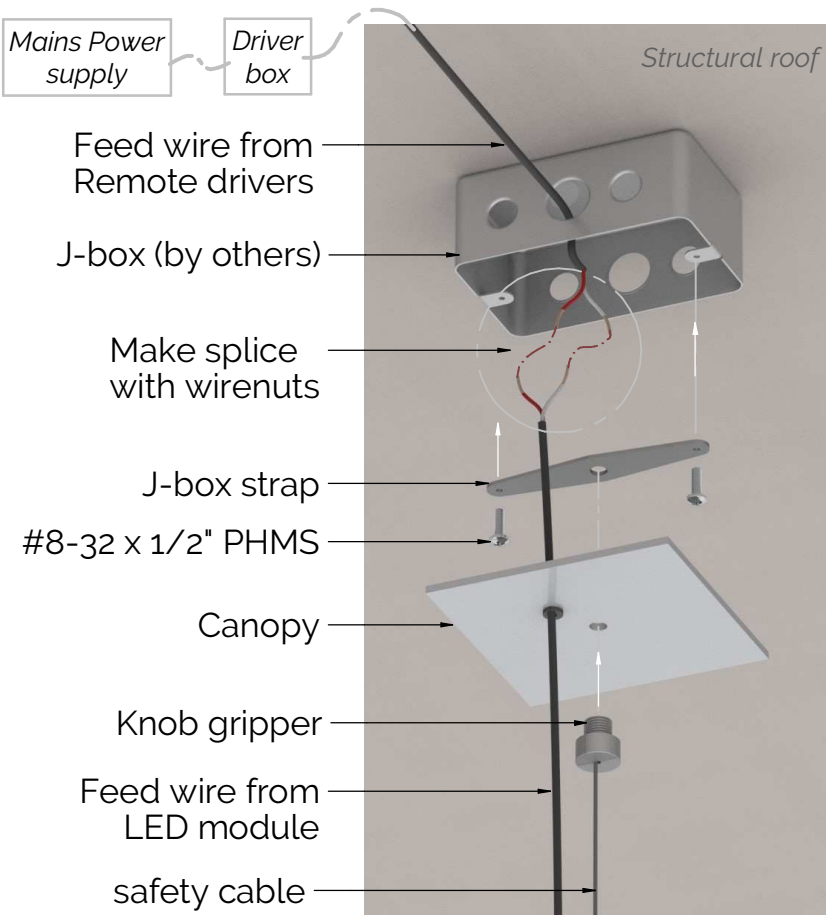
CAUTION – RISK OF FIRE. THIS PRODUCT MUST BE INSTALLED IN ACCORDANCE WITH THE APPLICABLE INSTALLATION CODE (NEC 411) BY A PERSON FAMILIAR WITH THE CONSTRUCTION AND OPERATION OF THE PRODUCT AND HAZARDS INVOLVED.

1. Disconnect electrical power from lighting circuit before installation.
2. Make sure LED drivers, Linear LED Modules and all other fixture components are present.
3. This installation assumes Class 2 two conductor wires have been run from fixture mount location to LED driver enclosure location.
4. LED driver enclosure must be installed in an accessible, dry and well ventilated location using the screw holes provided in enclosure.
5. Make wire connection from LED driver to two conductor Class 2 wire, running in ceiling with wire nuts (not included).
6. Connect LED module feed wire to wire from remote driver in j-box at building/structure ceiling. Make sure feed wire from module is passed through canopy before splice at j-box.



LeeSti Click Grid

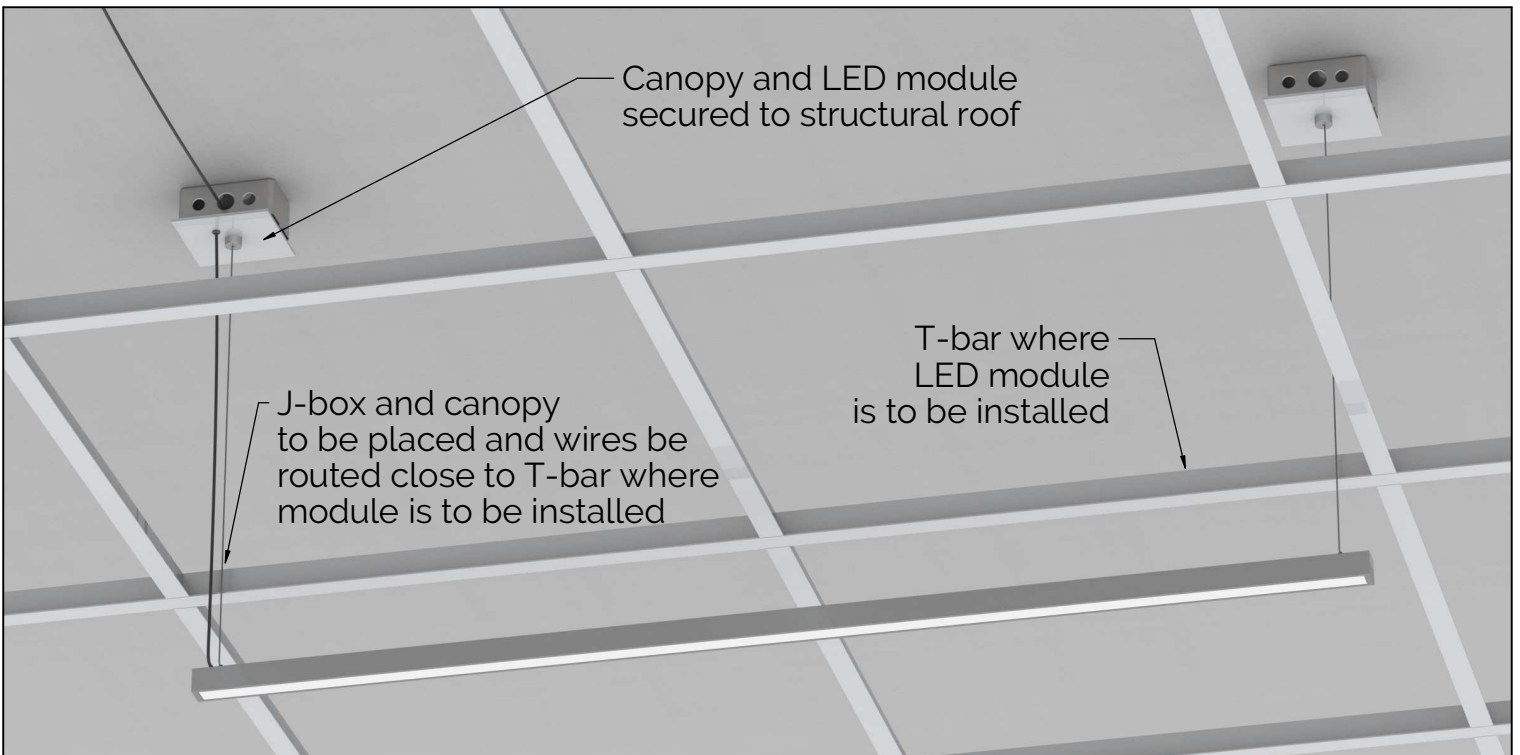
Installation Instructions



**Step (6-8) :
Connecting feed wires**

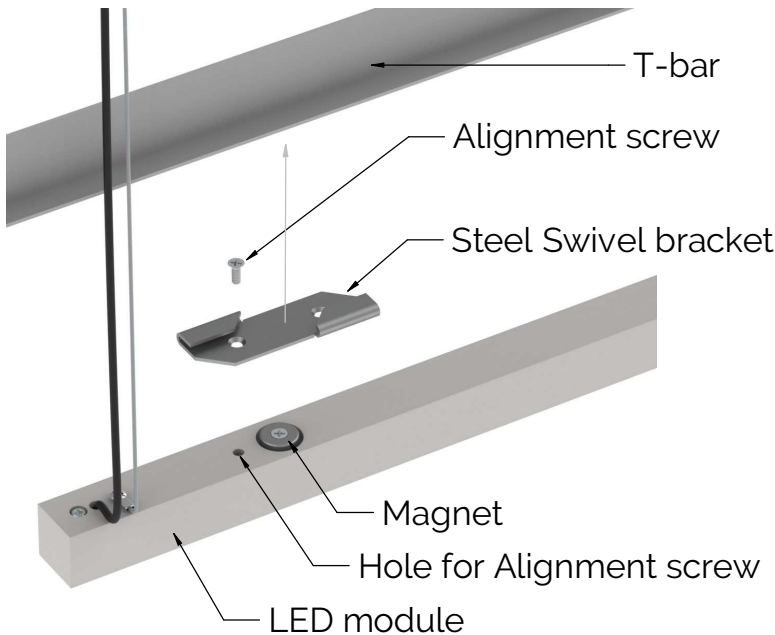


**Step (6-8) : Securing fixture/Canopy
to structural roof**



Fixture after securing to structural roof

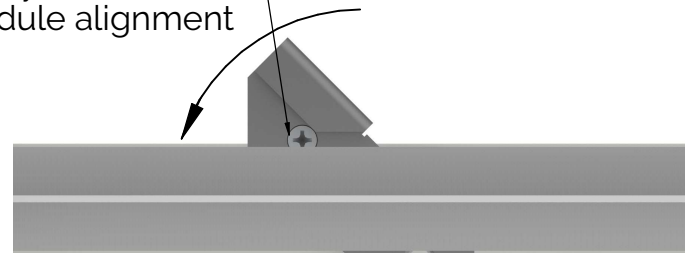
- LED module is secured to canopy via Safety cable at each end. Make sure to install and pass both canopy over same grid T-bar as the desired installation location of LED module.
- After j-Box wiring is complete, install j-Box Strap to j-Box. Secure Canopy to j-Box by hand tightening Suspension Cable Knob into j-Box Strap. This should make LED module hanging securely to ceiling. Make sure LED module and canopy is well secured to structure and there are no pinched or exposed wires.



Step (g) : Installing swivel bracket

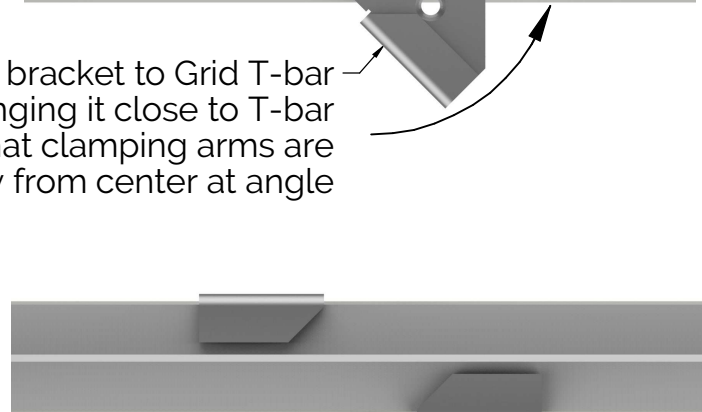
- Install both end Swivel bracket and alignment screw to Grid T-bar (as shown in images) by rotating and clamping it to T-bar. Make sure to mark correct location of Swivel bracket on Grid T-bar with respect to magnets by temporarily placing LED module at exact installation location.

Alignment screw, sits freely into bracket to aid module alignment



- Now snap or mate magnet attached at LED module top surface to Steel Swivel bracket. This should secure LED module to Grid T-bar. Make sure wire and safety cable are neatly routed through side of Grid T-bar without too much twisting and bending.

Snap bracket to Grid T-bar by bringing it close to T-bar such that clamping arms are away from center at angle



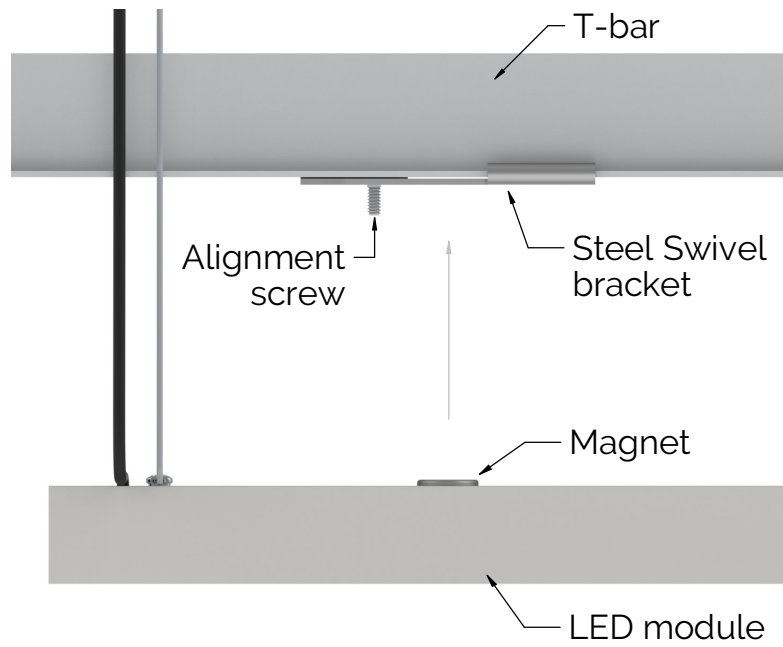
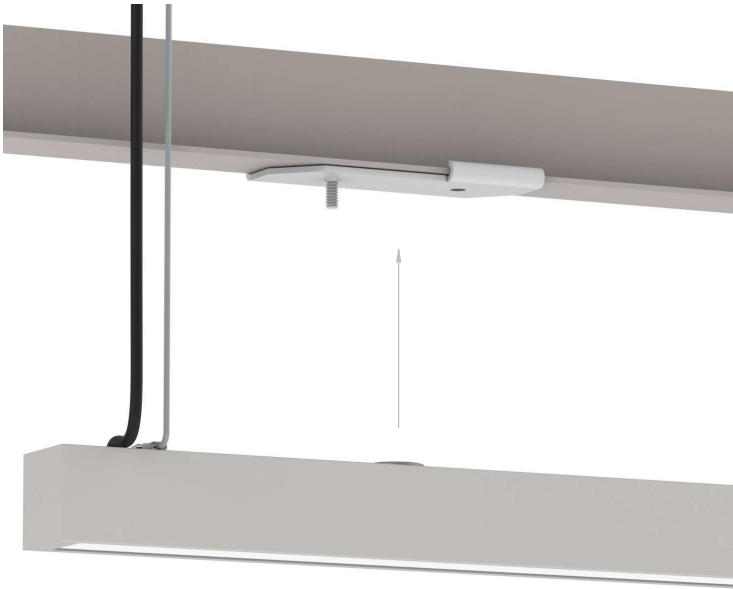
- Finish grid bar ceiling. Make sure to create sufficient cut in grid panel for feed wire and safety cable. Extra hanging wire and safety cable should be pulled over grid panel for clean look.

Rotate bracket inwards so that clamping arms snap to T-bar

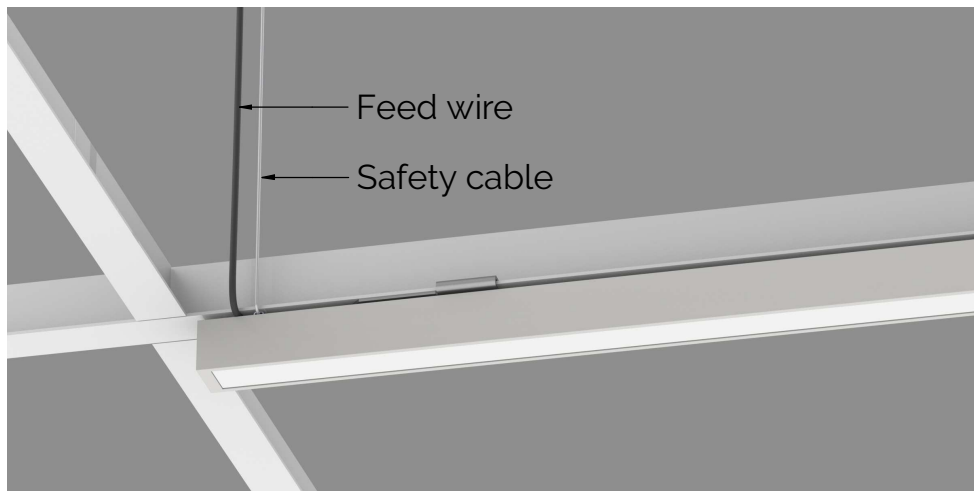


LeeSti Click Grid

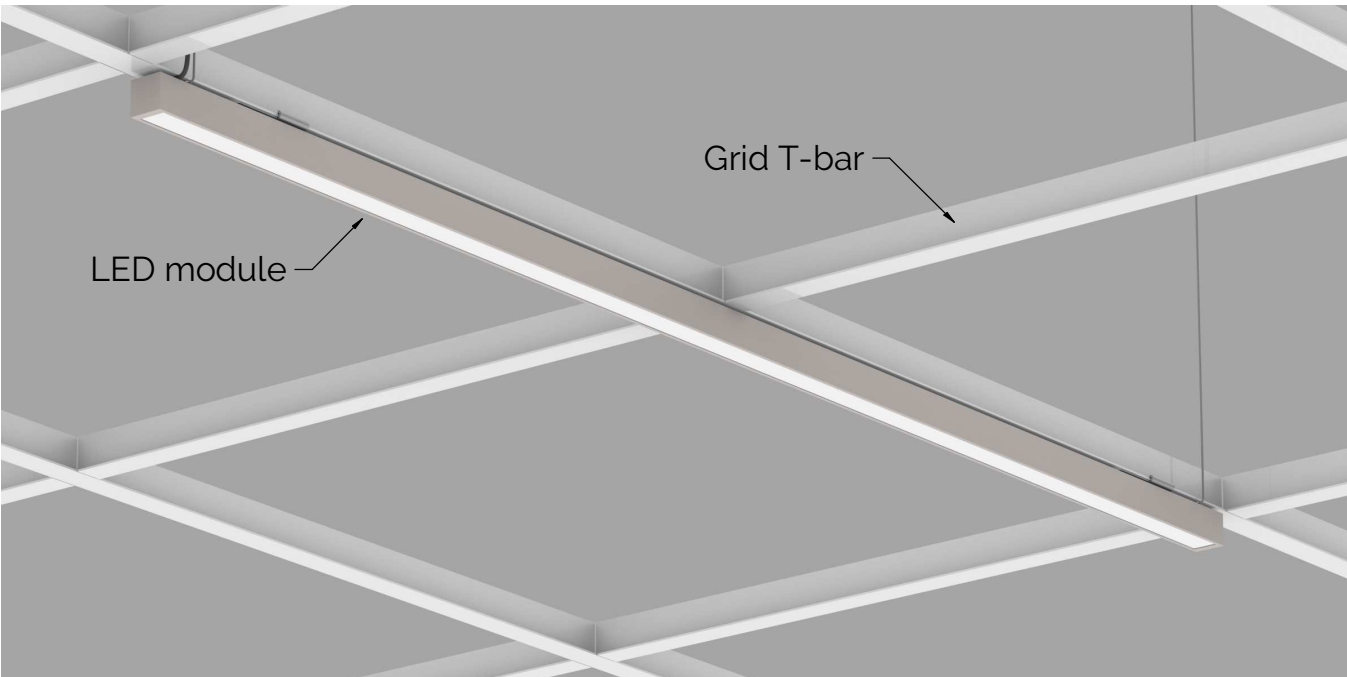
Installation Instructions



Step (9) : Installing swivel bracket



LED module secured to Grid T-bar

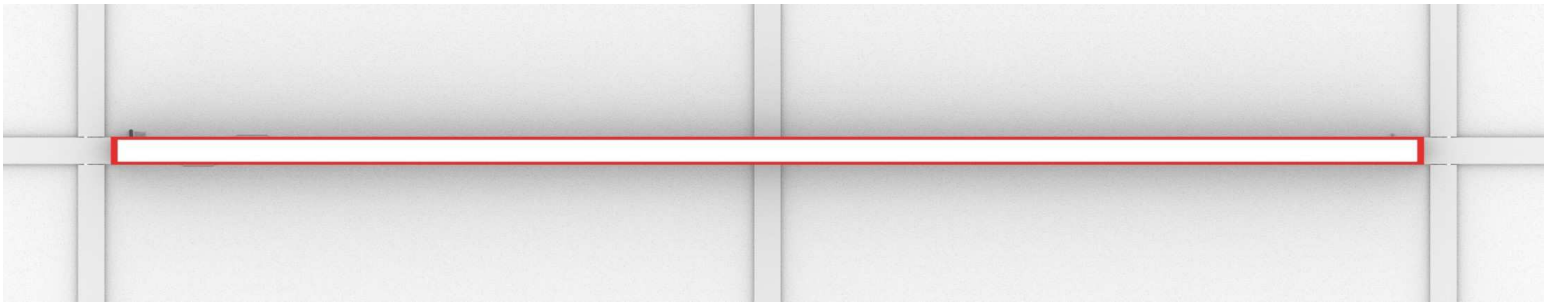


12. Make Mains power connection to LED driver using provided connector inside driver enclosure.
Make sure Mains power Ground wire is secured to green ground wire inside driver enclosure.

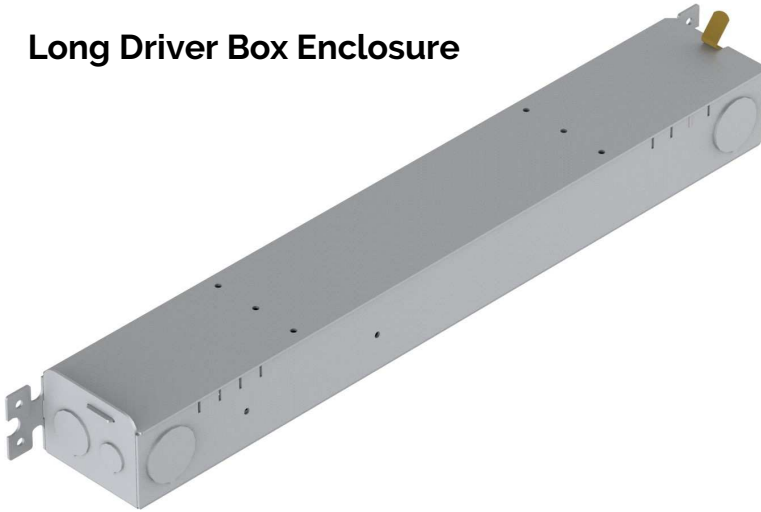
13. Restore Mains power.



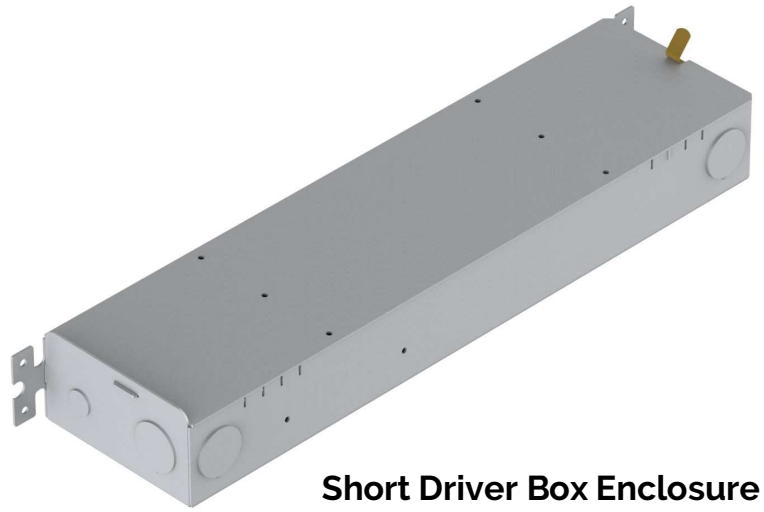
Finished fixture



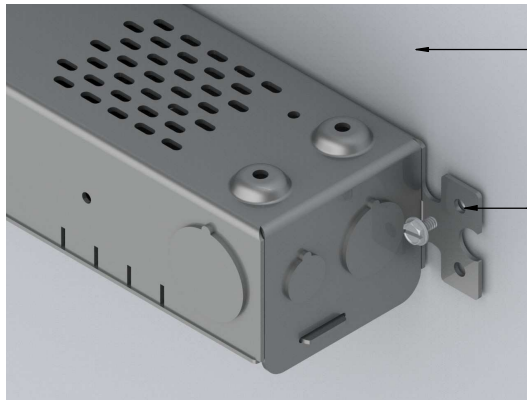
Long Driver Box Enclosure



Short Driver Box Enclosure



Installing Driver enclosure



Driver enclosure mounting surface

Driver enclosure, should be installed with flanges secured to mounting surface as shown

Secure Driver box enclosure flange to remote mounting surface by a screw at each end of enclosure



Horizontal mounting

Vertical mounting

