



archlit reserves the right to make changes without prior notice. (02.12.2022)

LeeSti Corner, extruded aluminum minimal design 1"x 1" lighting fixture with remote drivers (max distance 8'). For Ceiling and Wall or Wall Wall Horizontal. Adjustable, rotates in the longitudinal axis of the lighting module. Same lighting fixture can work for Waal Wall or Wall Ceiling. Different angles at ends can change the perception of the space, position of the luminaire impacting the space and the perception of the light. Max 12.5 w/foot at 1200 lumens per foot. Dimmable and non dimmable with 0-10v. Special film for LED allows a continuous and even line of light (the dots generated by the LED source are not seen). Drivers programmable at factory. CRI more than 90.

## LeeCor

### LeeSti Corner

#### Lumen Output

3017 - 3000 K 1200 lumens / ft 12 w /ft  
 3014 - 3000 K 1000 lumens / ft 10 w /ft  
 3011 - 3000 K 780 lumens / ft 7.5 w /ft  
 3008 - 3000 K 560 lumens / ft 5.5w /ft  
 3005 - 3000 K 350 lumens / ft 3.1 w /ft  
 3517 - 3500 K 1200 lumens / ft 12 w /ft  
 3514 - 3500 K 1000 lumens / ft 10 w /ft  
 3511 - 3500 K 780 lumens / ft 7.5 w /ft  
 3508 - 3500 K 560 lumens / ft 5.5w /ft  
 3505 - 3500 K 350 lumens / ft 3.1 w /ft  
 WhTu - White tuning 2700K @ 1050 lumens/foot  
 and 6500k @1200 lumens/foot 12.5 watt/foot

#### Finish

WH - White  
 BK - Black  
 CU - Custom Color  
 Specify RAL color

#### Mounting

WAWA - Wall Wall  
 WACE - Wall Ceiling



**Dimming**

- - Non Dimmable 120v  
Max 4' per driver
- 1 - Non Dimmable 277v  
Max 4' per driver
- 4 - Dimmable 0-10v (4wires, 120/277 v)  
Max 4' per driver

**Runs**

- B - 2' nominal module 25w
  - C - 3' module 35 inches 37.5 w
  - D - 4' nominal module 50w
  - E - 5' nominal module 62.5w
  - F - 6' nominal module 75w
  - G - 7' nominal module 87.5w
  - H - 8' nominal module 100 w
- Total Run: (0 ft 0 in)

**Angles**

- 4545A - 45 degrees - Equal angle
- 3060A - 30 degree feed size 60 degree opposite
- 6030A - 60 degree feed size 30 degree opposite
- CustA - Custom angles  
Specify custom angle need to sum 90. Specify first feed side  
CustA5535 will be 55 degree at feed and 35 at opposite side as example  
First angle is feed side

**Canopy**

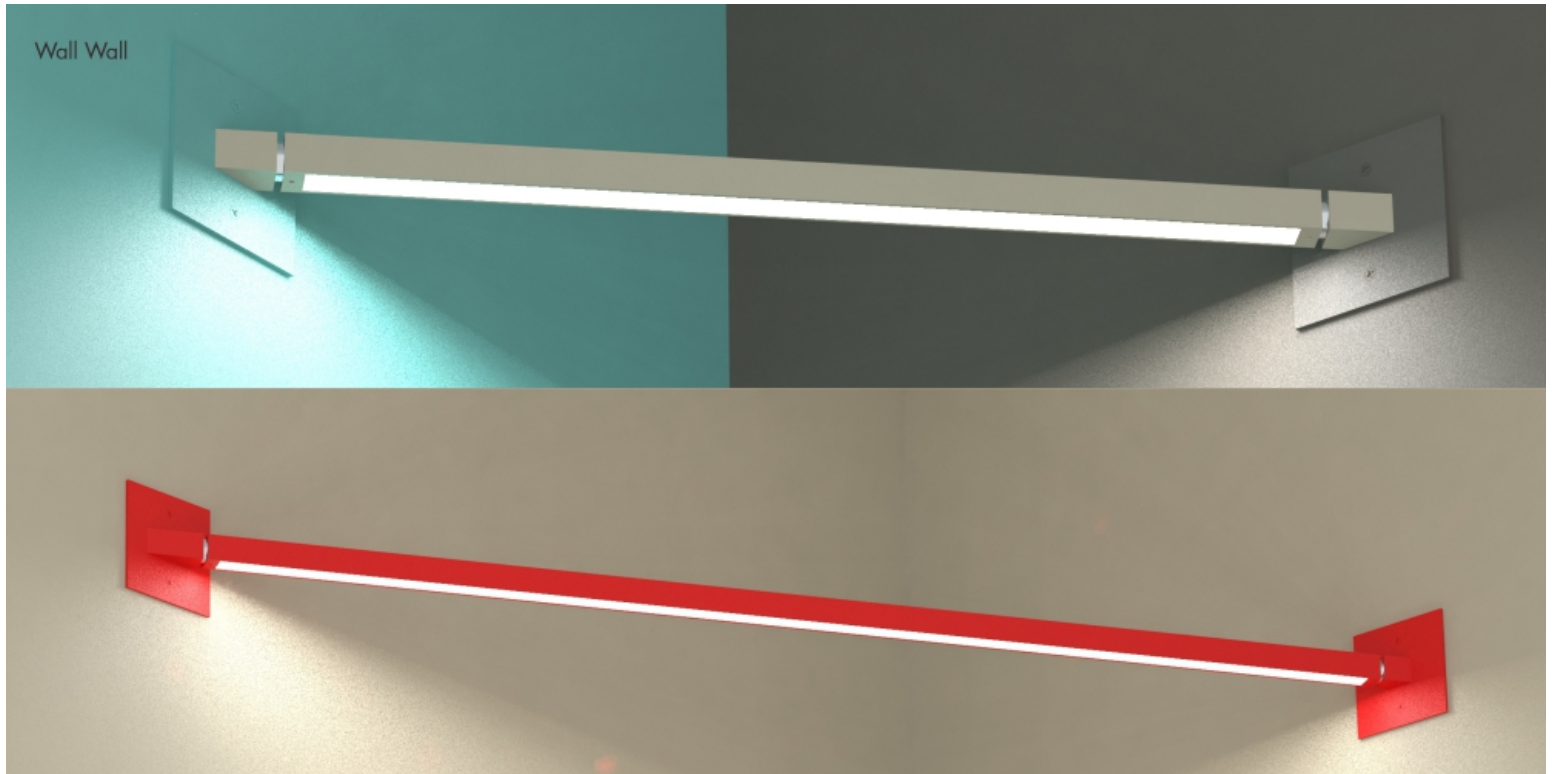
- SQ - Square Plate 4"x 4"
- RD - Round 4" x 4" Jbox
- SG - Single Gang Plate

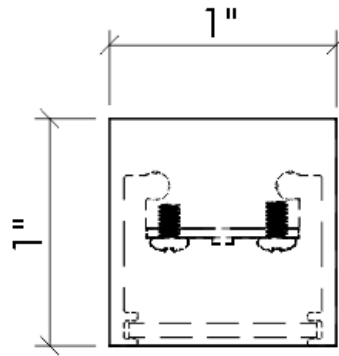
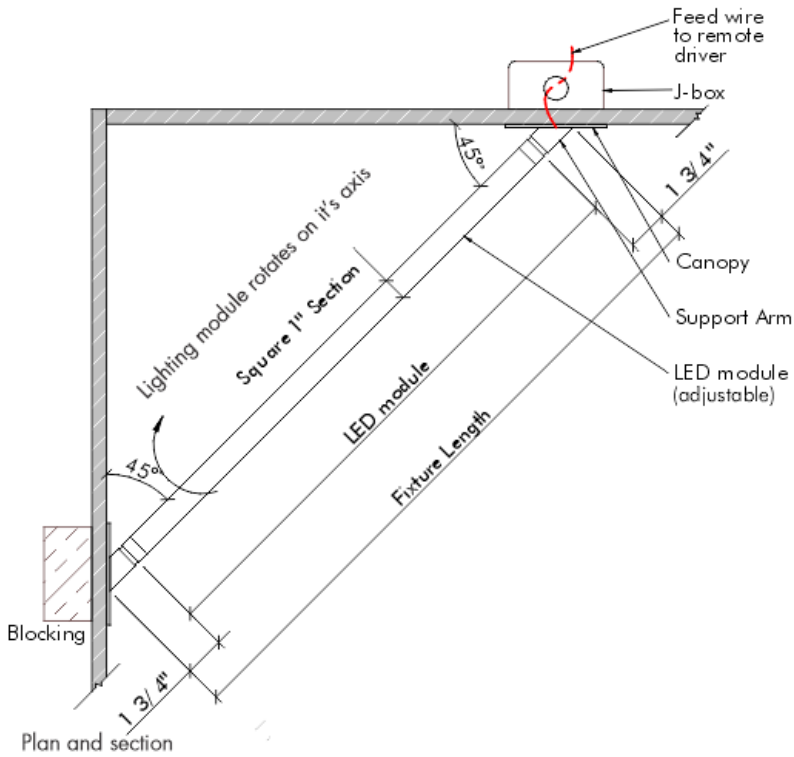
**Emergency**

- 00 - No Emergency
- EM - Emergency module max. 4 feet nominal  
Max length for emergency 4'

**Notes:**

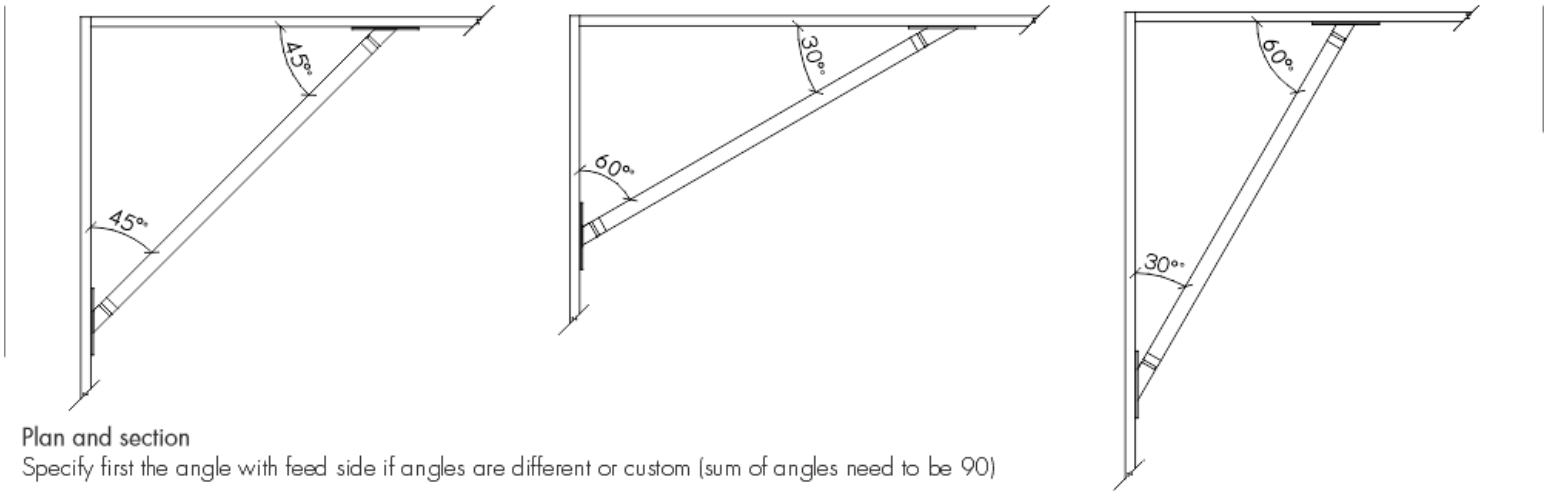
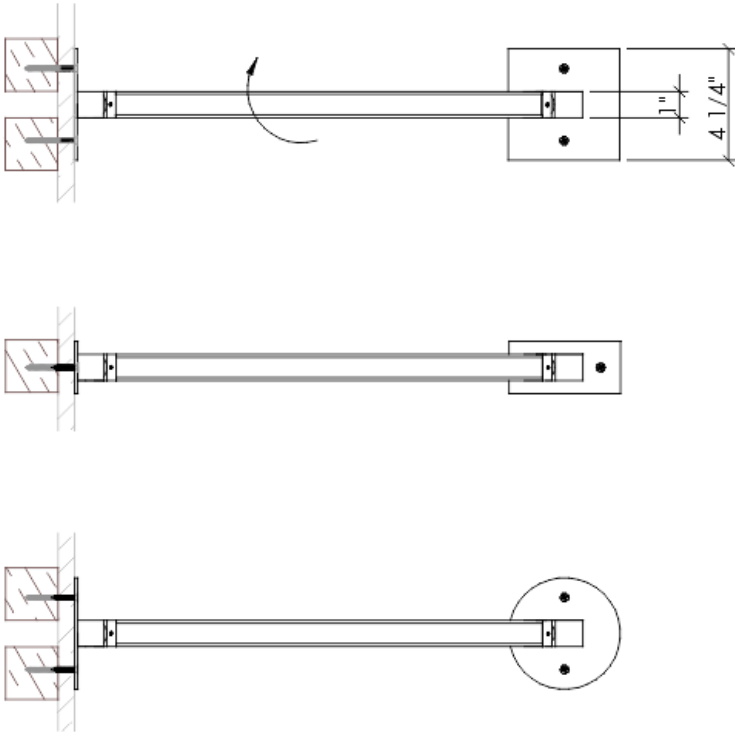
- Max distance to remote drivers 80'
- Wall Wall and Wall Ceiling uses same product length
- CRI > 90





LED module	Fixture length
2' - 24"	2' - 27-1/2"
3' - 34-1/2"	3' - 38"
4' - 46-1/2"	4' - 50"
5' - 57"	5' - 60-1/2"
6' - 69"	6' - 72-1/2"
7' - 79-1/2"	7' - 83"
8' - 91-1/2"	8' - 95"





Driver Boxes

