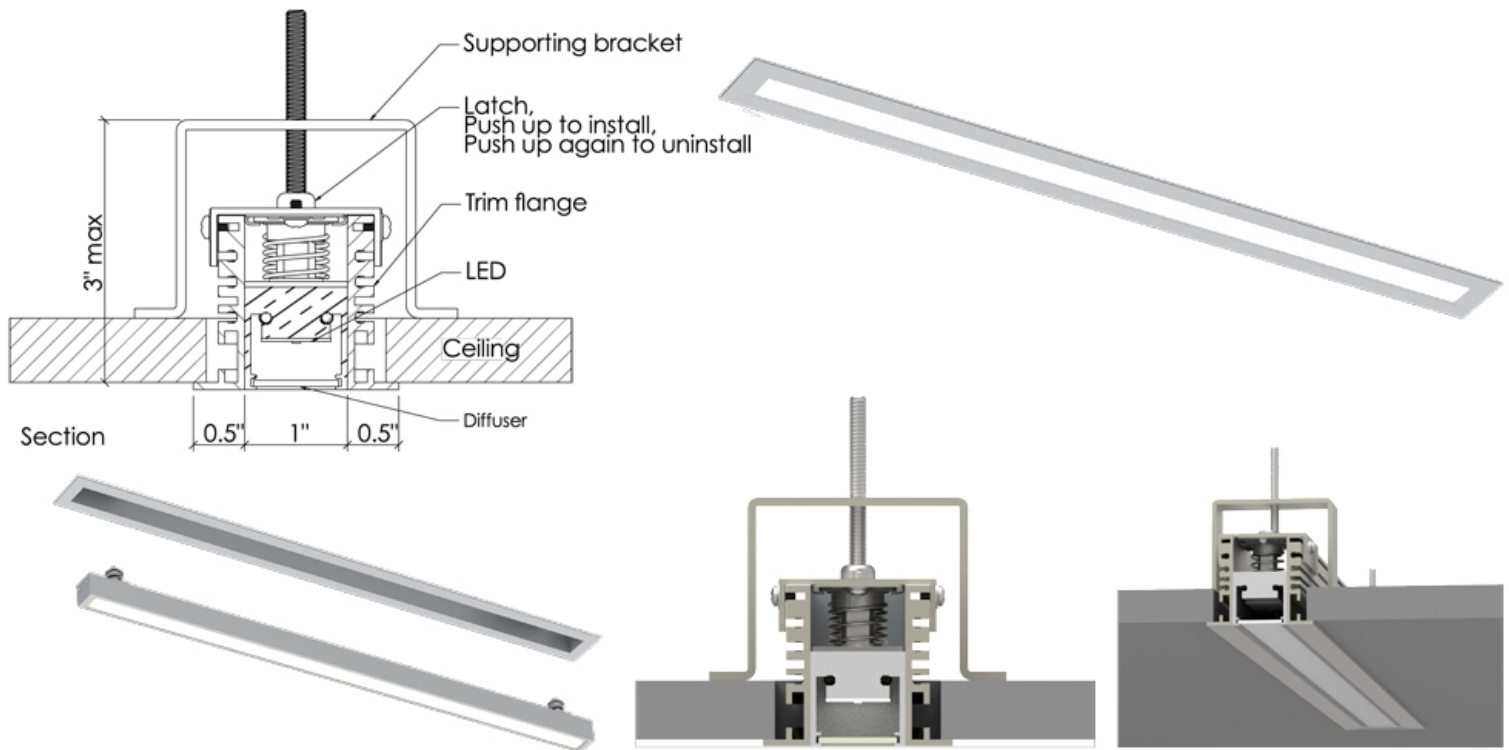


LeeSti Downlight Trim Flush

LeeSti / Recessed



archlit reserves the right to make changes without prior notice. (09.13.2021)

LeeSti Downlight is a recessed linear lighting fixture in 1', 2', 3' and 4' nominal lengths.

A diffusing film in the lens incorporates evenness of illumination (a continuous line of light).

Dimmable or non dimmable with 0-10v dimmers (0 to 10%) with 4 wires to connect to control systems or Triac versions

(0-1%) with 2 wires that can be used with standard dimmers. 3000 K and 2700 K temperature available. Lumen output of 1400 lumens and 12.5w per foot. Drivers are remote

The lighting module is pushed up to install, pushed down to uninstall.

LEDRTF

LeeSti Downlight Recessed Trim Flush

Lumen Output

3017 - 3000 K 1200 lumens / ft 12 w /ft

3014 - 3000 K 1000 lumens / ft 10 w /ft

3011 - 3000 K 780 lumens / ft 7.5 w /ft

3008 - 3000 K 560 lumens / ft 5.5w /ft

3005 - 3000 K 350 lumens / ft 3.1 w /ft

3517 - 3500 K 1200 lumens / ft 12 w /ft

3514 - 3500 K 1000 lumens / ft 10 w /ft

3511 - 3500 K 780 lumens / ft 7.5 w /ft

3508 - 3500 K 560 lumens / ft 5.5w /ft

3505 - 3500 K 350 lumens / ft 3.1 w /ft

WhTu - White tuning 2700K @ 1050 lumens/foot

and 6500k @1200 lumens/foot 12.5 watt/foot

All Uplight versions with light will have a transparent diffuser

Use of programmable drivers allow different outputs (lumen output and load) to fix color temperature versions

Finish

WH - White

BK - Black

Cu - Custom Color

Specify RAL color

Dimming

0 - Non Dimmable 120v

1 - Non Dimmable 277v

4 - Dimmable 0-10v (4wires, 120/277 v)

Dimmable TRIAC (2 wires, max 25w, 120v) requires more drivers if run is bigger than 2'



Runs

A - 1' module 12 inches 12.5 w

Cut out 13.25' x 1.75'

B - 2' module 23.5 inches 25w

Cut out 24.5' x 1.75'

C - 3' module 35 inches 37.5 w

cut out 35.75' x 1.75'

D - 4' module 46 inches 50w

cut out 46.75' x 1.75'

Total Run: (0 ft 0 in)

Specify total length, Specify qty of each modules per run. Example:

Run 9' (2) C + (1) A

this configuration will have (2) end caps and (2) middle caps

Each module 4' needs a feed if non dimmable

Emergency

00 - No Emergency

EM - Emergency module

Max emergency per kit is 4'

Notes:

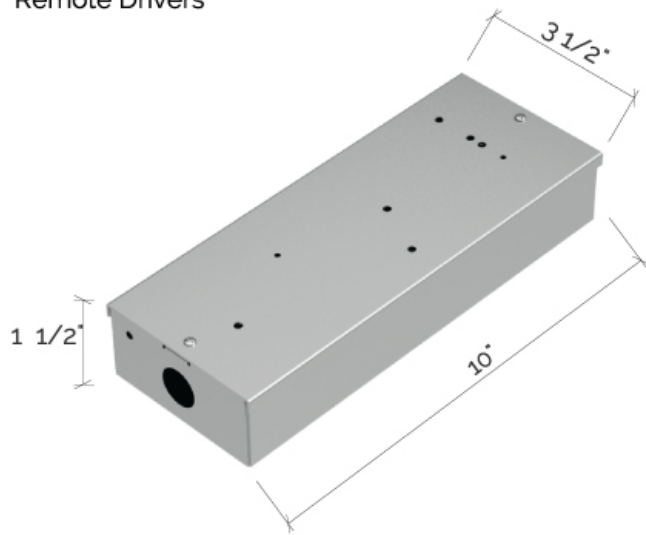
Height 3'

drivers remote max distance 80'

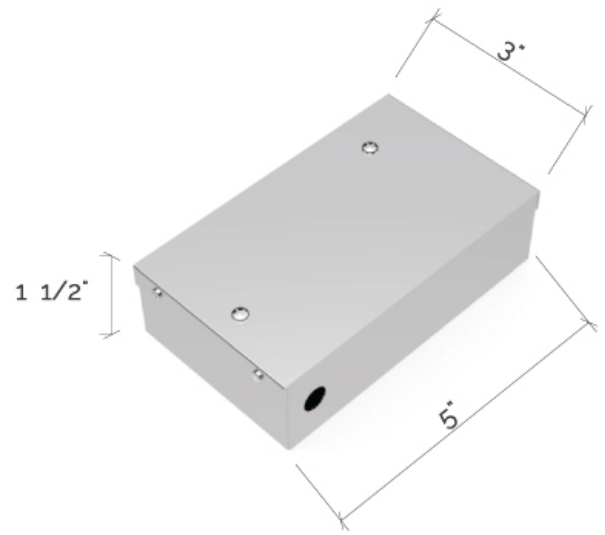
CRI > 90

McAdam 3

Remote Drivers



Driver Box for Dimm 0-10v
NTS



Driver Box Non Dimm and TRIAC drivers
NTS