

archlit reserves the right to make changes without prior notice. (03.03.2022)

LeeSti Duet, extruded aluminum minimal design 1"x 1" lighting fixture with remote drivers (max distance 8'). For Ceiling or Wall Adjustable, rotates in the longitudinal axis. Arms are the same section and can have different lengths. Special blocking required for wall installations. 3000 K and 2700 K with 12.5 w/foot. Dimmable and non dimmable with 0-10v and Triac drivers. Special film for LED allows a continuous and even line of light (the dots generated by the LED source are not seen).

LDUE

LeeSti Duet Wall/Ceiling Dual Arms

Lumen Output

- 3017 - 3000 K 1200 lumens / ft 12 w /ft
- 3014 - 3000 K 1000 lumens / ft 10 w /ft
- 3011 - 3000 K 780 lumens / ft 7.5 w /ft
- 3008 - 3000 K 560 lumens / ft 5.5w /ft
- 3005 - 3000 K 350 lumens / ft 3.1 w /ft
- 3517 - 3500 K 1200 lumens / ft 12 w /ft
- 3514 - 3500 K 1000 lumens / ft 10 w /ft
- 3511 - 3500 K 780 lumens / ft 7.5 w /ft
- 3508 - 3500 K 560 lumens / ft 5.5w /ft
- 3505 - 3500 K 350 lumens / ft 3.1 w /ft

WhTu - White tuning 2700K @ 1050 lumens/foot
and 6500k @1200 lumens/foot 12.5 watt/foot

All Uplight versions with light will have a transparent diffuser
Use of programmable drivers allow different outputs (lumen output and load) to fix color temperature versions

Mounting

- WA - Wall
- CE - Ceiling

Finish

- WH - White
- BK - Black
- CU - Custom Color
- Specify RAL color



Dimming

0 - Non Dimmable 120v

Max 4' per driver

1 - Non Dimmable 277v

Max 4' per driver

4 - Dimmable 0-10v (4wires, 120/277 v)

Max 4' per driver

Using TRIAC drivers in 4', need 2 feeds per module

Runs

A - 1' nominal module 12.5w

B - 2' nominal module 25w

C - 3' module 35 inches 37.5 w

D - 4' nominal module 50w

E - 5' nominal module 62.5w

F - 6' nominal module 75w

G - 7' nominal module 87.5w

H - 8' nominal module 100 w

AE - Arm end

AI - Arm intermediate

Total Run: (0 ft 0 in)

Length of runs are informative

archlit will produce submittals for approval

Arm Length

A3 - 3"

A6 - 6"

A8 - 8"

A12 - 12"

A18 - 18"

A24 - 24"

A36 - 36"

A36 only ceiling mounted

Canopy

SQ - Square Plate 4"x 4"

RD - Round 4" x 4" Jbox

SG - Single Gang Plate

Specify RAL color if custom color

Emergency

00 - No Emergency

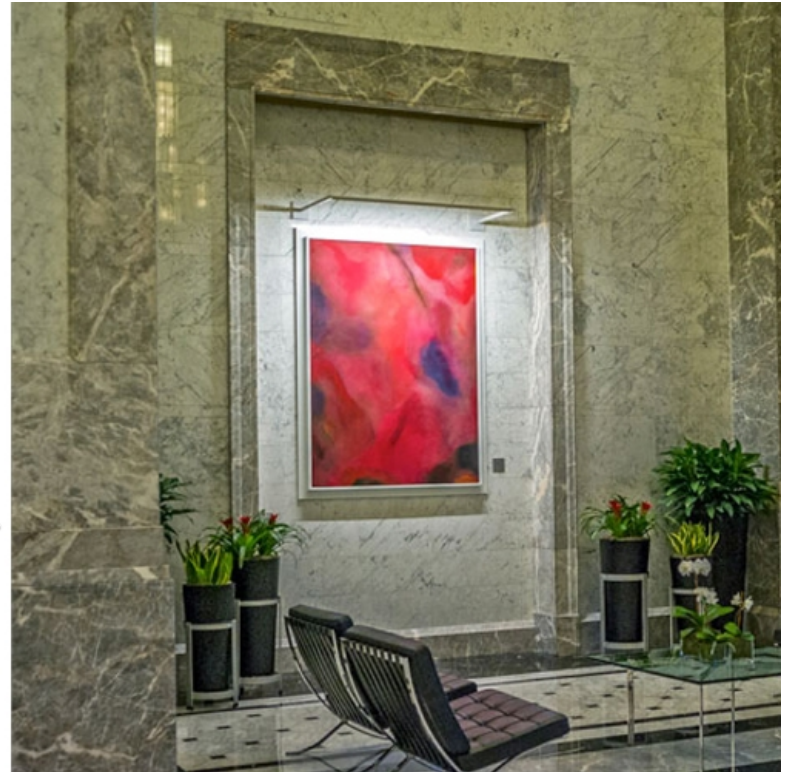
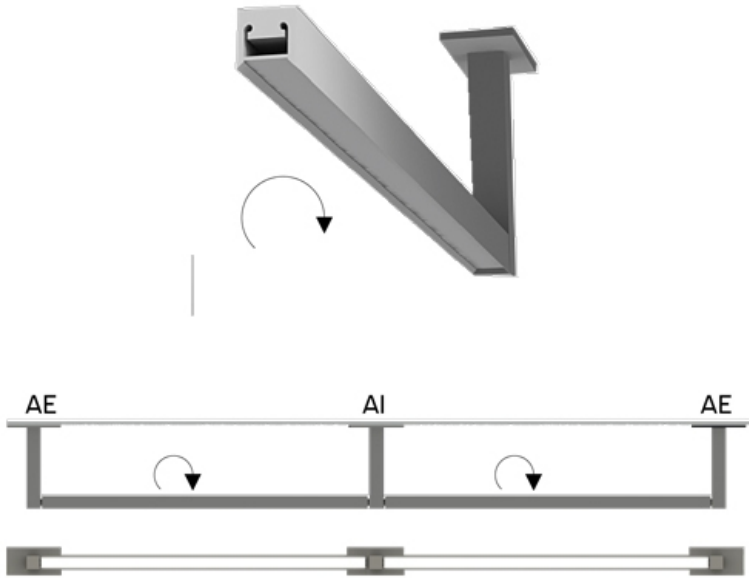
EM - Emergency module max. 24"

Max length for emergency 4'

Notes:

Max distance to remote drivers 80'

CRI > 90





Driver Boxes

