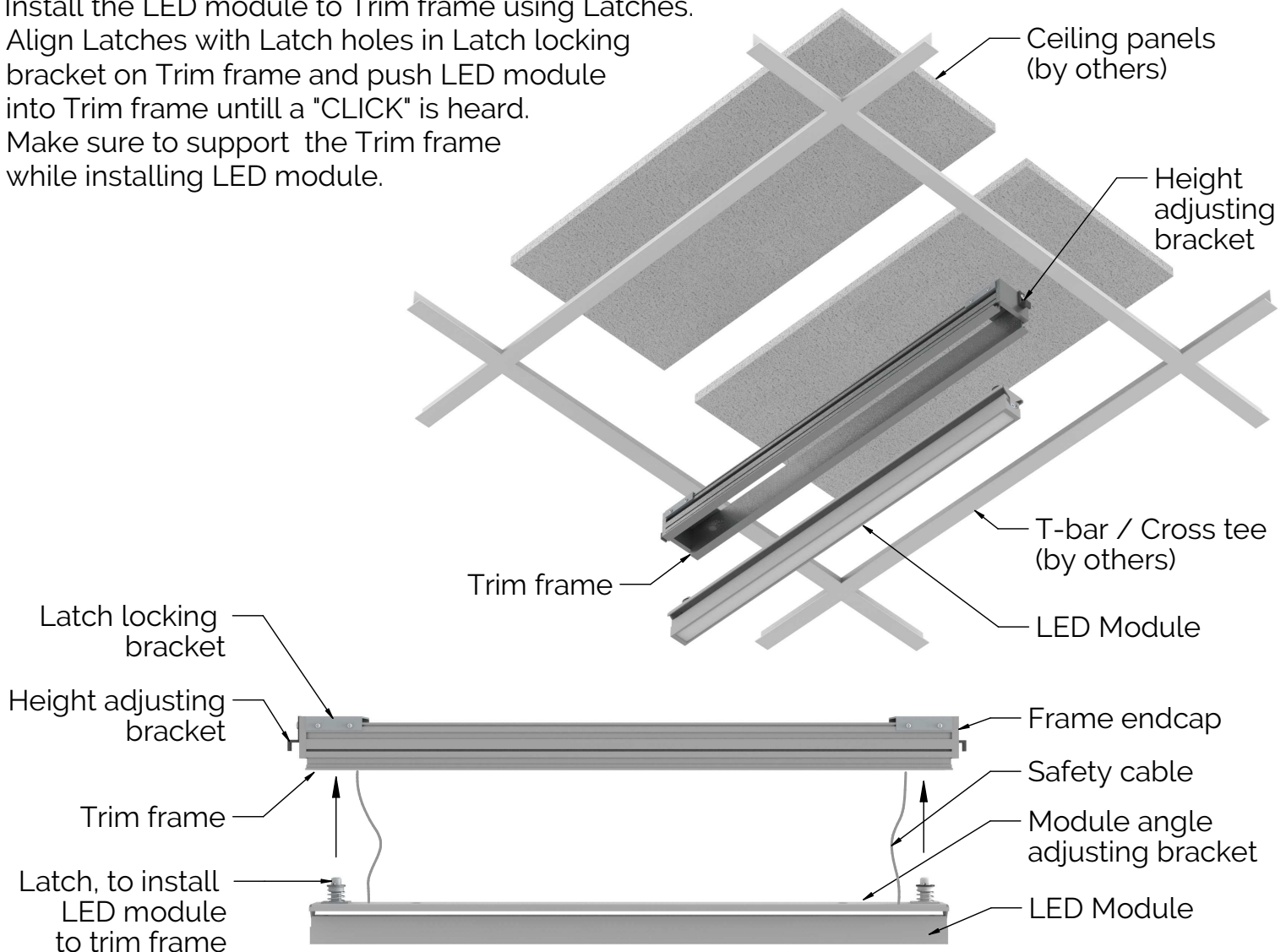
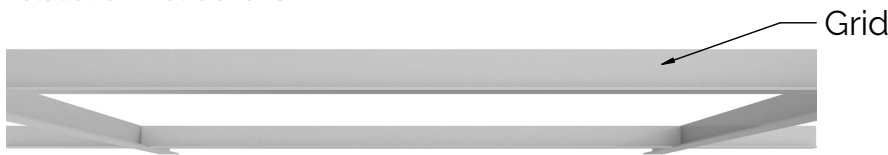


1. Disconnect electrical power from lighting circuit before installation.
2. CAUTION-RISK OF FIRE. This product must be installed in accordance with the applicable NEC/local installation code by a person familiar with the construction and operation of the product and the hazards involved.
3. Make sure LED drivers, Linear LED Modules and all other fixture components are present.
4. This installation assumes Class 2 two conductor wires have been run from fixture mount location to LED driver enclosure location.
5. LED driver enclosure must be installed in an accessible, dry and well ventilated location, using the screw holes provided in enclosure.
6. Make wire connection from LED driver to two conductor Class 2 wire, running in ceiling with wire nuts (not included).
7. Install the LED module to Trim frame using Latches. Align Latches with Latch holes in Latch locking bracket on Trim frame and push LED module into Trim frame until a "CLICK" is heard. Make sure to support the Trim frame while installing LED module.

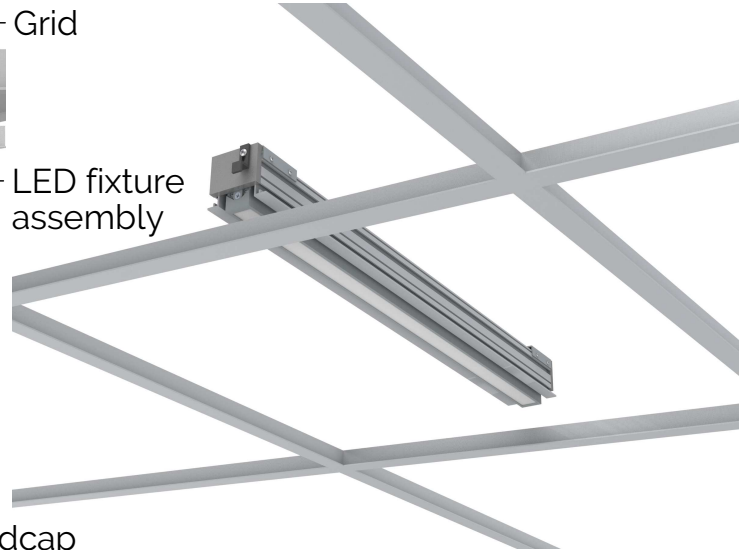




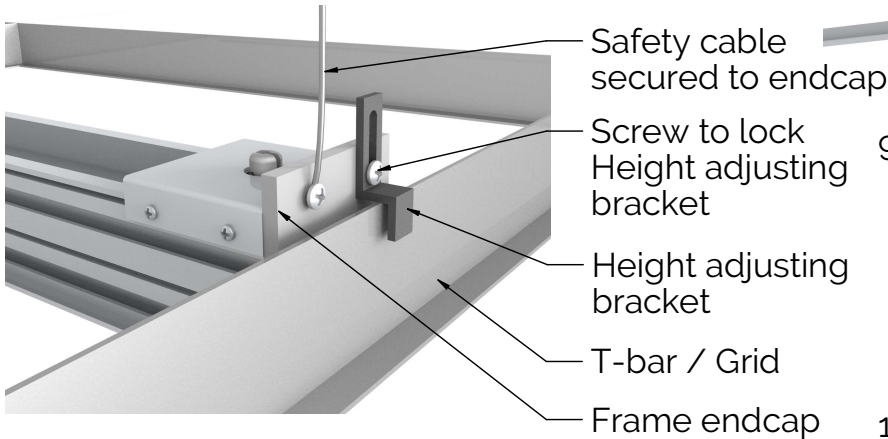
Grid



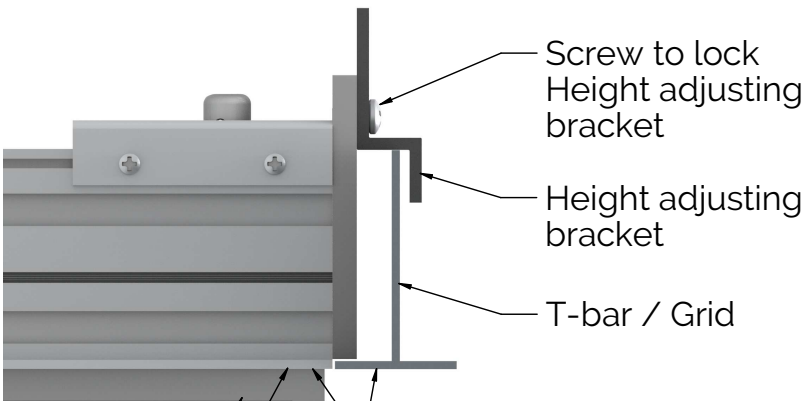
LED fixture assembly



8. Lift LED fixture assembly over the Grid and place it over T-bars such that Height adjusting brackets at both ends rest over T-bars.

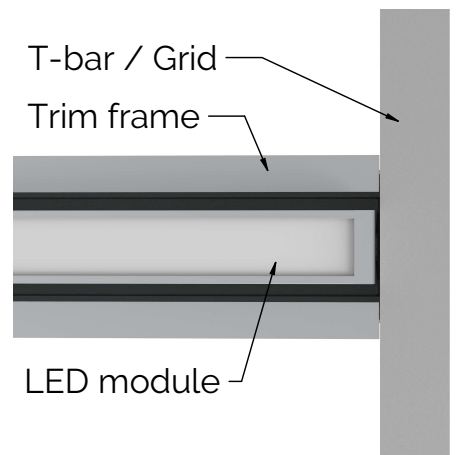
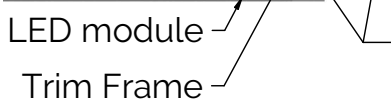


9. The bottom face of Trim frame needs to be aligned with bottom face of T-bars at both the ends. To do so, loosen the screw of Height adjusting bracket so that the bracket can move up or down easily.



10. Now align the frame with grid and make the Height adjusting bracket rest over the T-bar/grid. Lock the bracket in place by tightening the screw while the frame is aligned with Grid.

**Align bottom face of Trim frame with the bottom surface of T-bar/Grid bars**



11. Make all necessary electrical wiring connections to the LED module wires and Remote drivers.

12. Cut ceiling panels according to space available beside the fixture and place them over grid bar and flange of fixture frame.

13. Make sure fixture is well located on Grid and there are no pinched or exposed wires.

14. Make Mains power connection to LED driver using provided connector inside driver enclosure. Make sure Mains power Ground wire is secured to green ground wire inside driver enclosure.

15. Restore Mains power.

