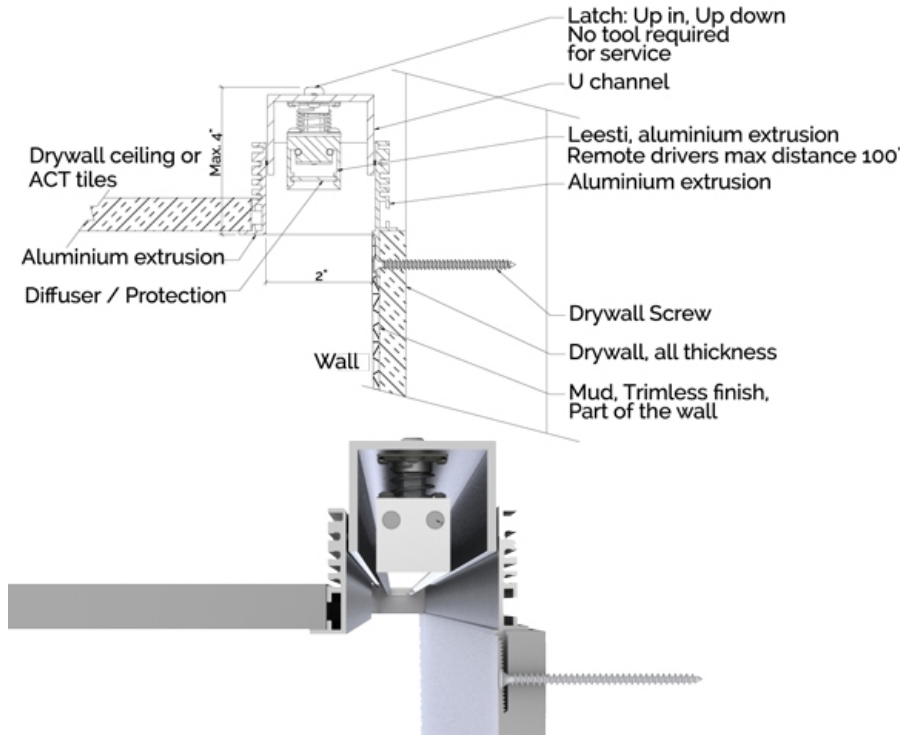


LeeSti Legato Ceiling Trim

LeeSti / Recessed



archlit reserves the right to make changes without prior notice. (06.17.2016)

LeeSti Legato Trim (Legato from music without breaks between notes) generates a transition between the ceiling and walls with lighting. The grazing of the wall is generated by lighting modules in 1, 2 and 4 feet (30" upon request but affects pricing). These modules are installed without tooling and have protective film preventing dots to be seen from below. For big heights the modules can have no film increasing the output. Fixture is at 1 1/2" from wall so there is no perspective to see the lighting source. Dimmable, with TRIAC or 0-10v. Damp location listed. The fixture generates the limit between the wall and the ceiling. When off the fixture recreates a reveal in shadow, when on a reveal with light. In Grid ceilings, The fixture generates the joint between ceiling and wall

LLECTR

LeeSti Legato Ceiling Trim

Lumen Output

- 3017 - 3000 K 1200 lumens / ft 12 w /ft
- 3014 - 3000 K 1000 lumens / ft 10 w /ft
- 3011 - 3000 K 780 lumens / ft 7.5 w /ft
- 3008 - 3000 K 560 lumens / ft 5.5w /ft
- 3005 - 3000 K 350 lumens / ft 3.1 w /ft
- 3517 - 3500 K 1200 lumens / ft 12 w /ft
- 3514 - 3500 K 1000 lumens / ft 10 w /ft
- 3511 - 3500 K 780 lumens / ft 7.5 w /ft
- 3508 - 3500 K 560 lumens / ft 5.5w /ft
- 3505 - 3500 K 350 lumens / ft 3.1 w /ft

WhTu - White tuning 2700K @ 1050 lumens/foot
and 6500k @1200 lumens/foot 12.5 watt/foot

All Uplight versions with light will have a transparent diffuser
Use of programmable drivers allow different outputs (lumen output and load) to fix color temperature versions

Finish

- WH - White
- BK - Black
- CU - Custom Specify RAL color

Dimming Options

- O - Non Dimmable 120V
 - 1 - Non Dimmable 277V
 - 4 - Dimmable 0-10v (4wires, 120 or 277 v)
- Dimmable TRIAC (2 wires, max 25w, 120v) requires more drivers if run is bigger than 2'
A 4' will need 2) feeds, (2) TRIAC drivers



LeeSti Legato Ceiling Trim

LeeSti / Recessed

Runs

A - 1' nominal module 12.5w 12 1/2"

B - 2' nominal module 25w 23 1/2"

D - 4' nominal module 50w 46"

Total Run: (0 ft 0 in)

Distance between lighting modules 1/8"

Emergency

00 - No Emergency

EM - Emergency module max. 24"

Adding emergency to a 4' means (2) drivers and (2) emergency packages if want all in emergency If 4 has 2 with emergency and 2 without it, will have (2) drivers and(1) emergency package

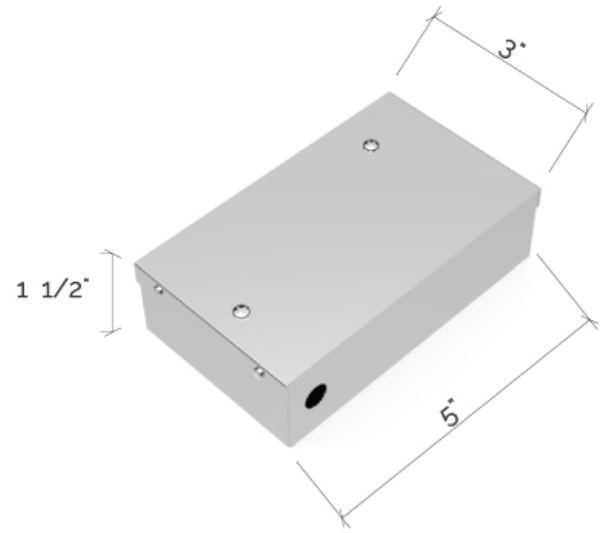
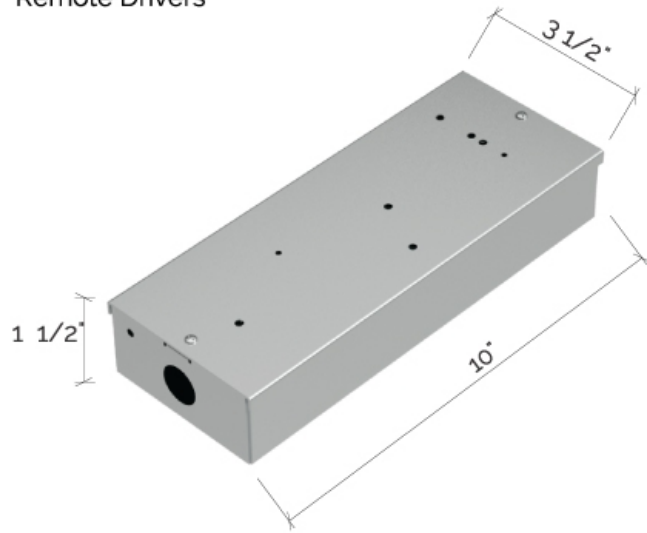
Notes:

Drivers Remote. Max distance to drivers 100'

Runs with 1', 2' and 4' modules



Remote Drivers



Driver Box for Dimm 0-10v
NTS

Driver Box Non Dimm and TRIAC drivers
NTS

