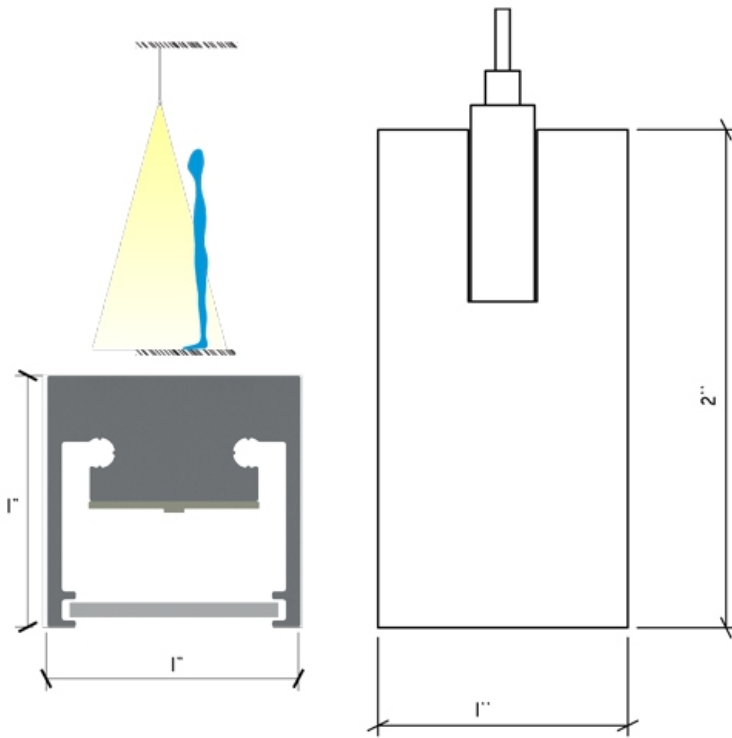


# LeeSti Pendant

LeeSti / Pendant



archlit reserves the right to make changes without prior notice. (02.10.2021)

LeeSti Pendant, extruded aluminum minimal design lighting fixture with remote drivers (max 100' from fixture).

Powder-coated finish and diffuser protected with film for even illumination at highest lumen output. 1,400 lumens delivered per foot, 12.5w/foot. Dimmable and non dimmable configurations. Color temperature 3000 K and 2700K. Continuous lines with end caps and middle caps in between modules (each module needs to be fed).

## LePen

## LeeSti Pendant

### Lumen Output

3017 - 3000 K 1200 lumens / ft 12 w /ft

3014 - 3000 K 1000 lumens / ft 10 w /ft

3011 - 3000 K 780 lumens / ft 7.5 w /ft

3008 - 3000 K 560 lumens / ft 5.5w /ft

3005 - 3000 K 350 lumens / ft 3.1 w /ft

3517 - 3500 K 1200 lumens / ft 12 w /ft

3514 - 3500 K 1000 lumens / ft 10 w /ft

3511 - 3500 K 780 lumens / ft 7.5 w /ft

3508 - 3500 K 560 lumens / ft 5.5w /ft

3505 - 3500 K 350 lumens / ft 3.1 w /ft

WhTu - White tuning 2700K @ 1050 lumens/foot

and 6500k @1200 lumens/foot 12.5 watt/foot

All Uplight versions with light will have a transparent diffuser

Use of programmable drivers allow different outputs (lumen output and load) to fix color temperature versions

### Finish

WH - White

BK - Black

CU - Custom Specify RAL color

TBDF - To Be Determined

### Dimming

O - Non Dimmable 120v

1 - Non Dimmable 277v

4 - Dimmable 0-10v (4wires, 120 or 277 v)



# LeeSti Pendant

LeeSti / Pendant

## Runs

A - 1' nominal 12 1/2" LED module

End caps add 1/4" for each

B - 2' nominal 23 1/2" LED module

End caps add 1/4" for each

C - 3' nominal 35" LED module

End caps add 1/4" for each

D - 4' nominal 46" LED module

End caps add 1/4" for each

E - 5' nominal 57 1/4" LED module

End caps add 1/4" for each

F - 6' nominal 69 1/4" LED module

End caps add 1/4" for each

G - 7' nominal 79 3/4" LED module

End caps add 1/4" for each

H - 8' nominal 92" LED module

End caps add 1/4" for each

Total Run: (0 ft 0 in)

## Canopy

RD - Round 4" x 4" Jbox

SQ - Square Plate 4"x 4"

SG - Single Gang Plate

TBDC - To Be Determined

## Suspension Aircraft Cable

36 - 36" max

100 - 100"

## Emergency

00 - No Emergency

EM - Emergency module max. 24"

Adding emergency to a 4' means (2) drivers and (2) emergency packages if want all in emergency

If 4' has 2' with emergency and 2' without it, will have (2) drivers and (1) emergency package

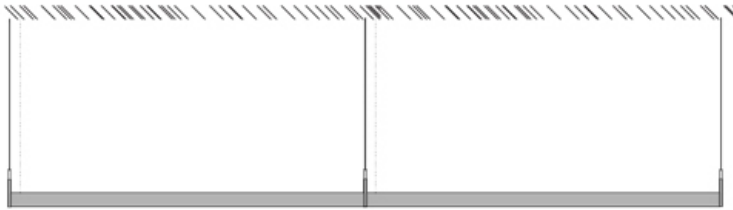
## Notes:

Drivers are Remote.

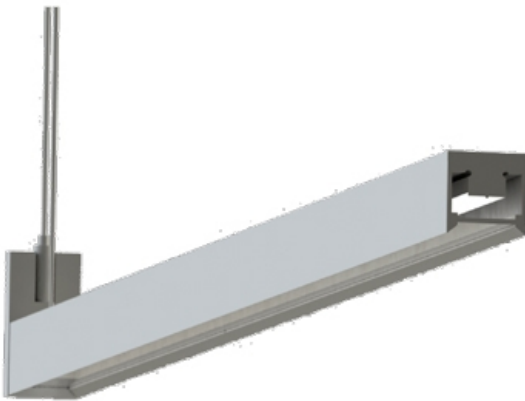
Max distance to drivers 80'

CRI more than 90

McAdam 3 bin

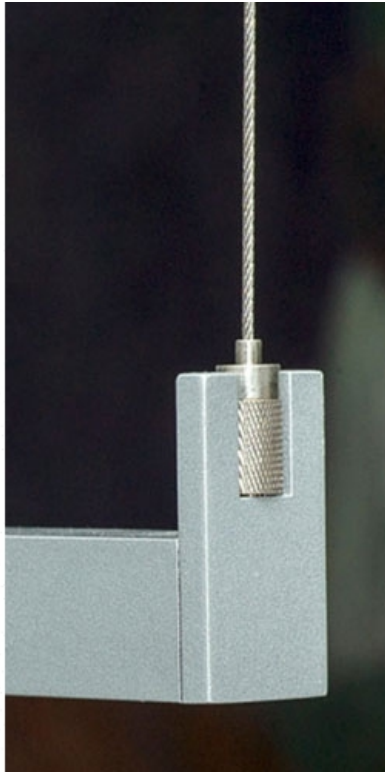
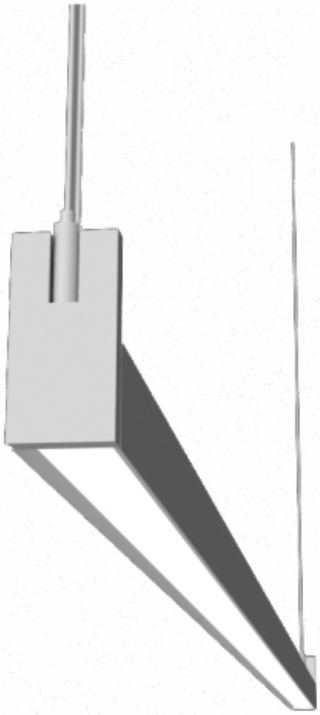


Individual modules or Lines



# LeeSti Pendant

LeeSti / Pendant





archlit generates submittals for runs. size of boxes  
TBD in documentation

