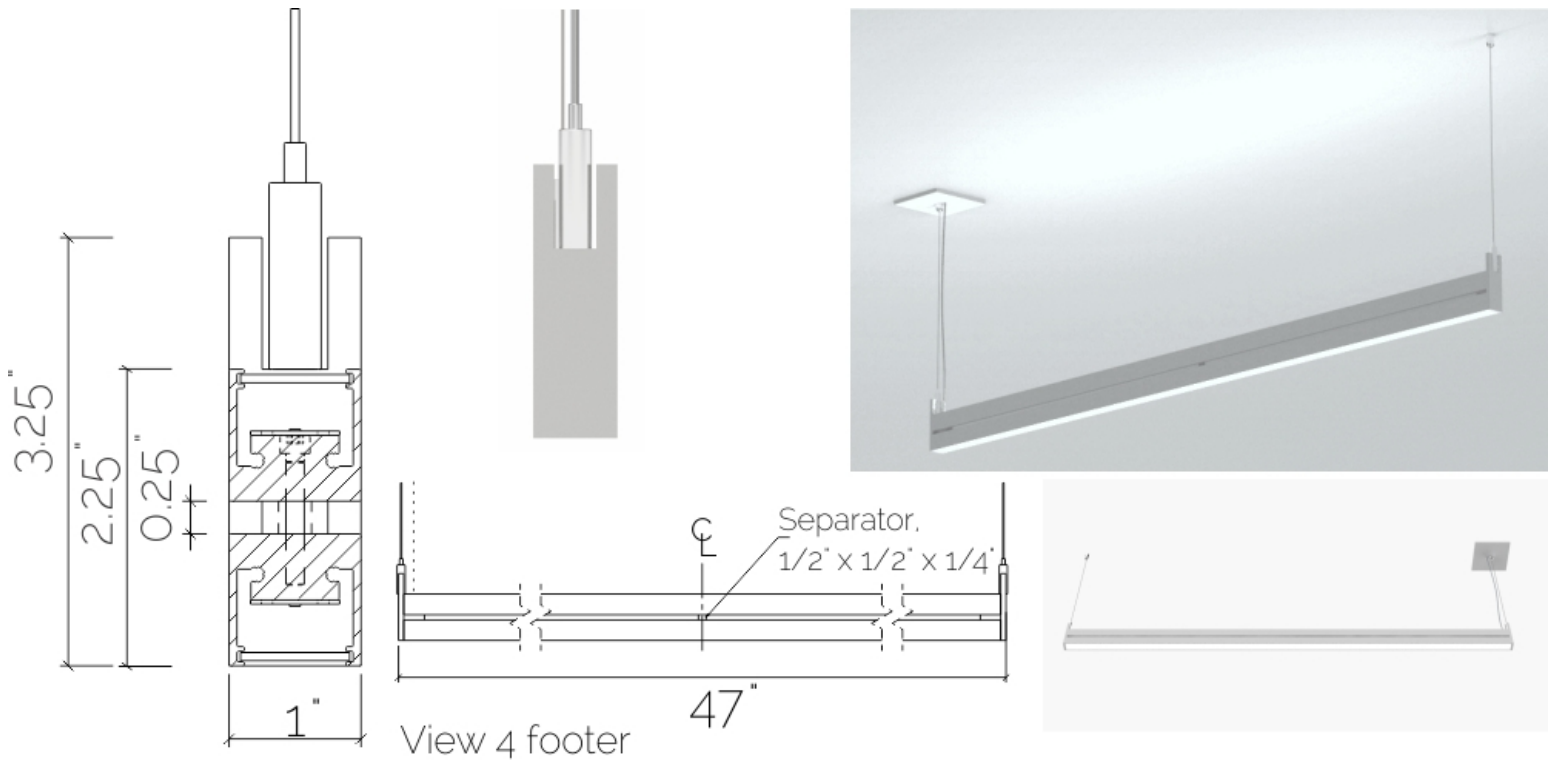


LeeSti Pendant Double

LeeSti / Pendant



archlit reserves the right to make changes without prior notice. (01.30.2016)

LeeSti Pendant Double, Direct Indirect, extruded aluminum minimal design lighting fixture with remote drivers (max 100' from fixture). Maximum length 4'. Powder-coated finish and diffuser protected with film for even illumination at highest lumen output. 12.5w/1,400 lumens delivered per foot direct component + 12.5w/1,400 lumens delivered per foot indirect component. Dimmable and non dimmable configurations. Color temperature 3000 K and 2700K. Continuous lines with end caps and middle caps in between modules (each module needs to be fed).

LEPEND

LeeSti Pendant Double

Downlight Output

FaCap - No lighting, Metal cap

3017do - 3000 K 1200 lumens / ft 12 w /ft

3014do - 3000 K 1000 lumens / ft 10 w /ft

3011do - 3000 K 780 lumens / ft 7.5 w /ft

3008do - 3000 K 560 lumens / ft 5.5w /ft

3005do - 3000 K 350 lumens / ft 3.1 w /ft

Low Output

3517do - 3500 K 1200 lumens / ft 12 w /ft

3514do - 3500 K 1000 lumens / ft 10 w /ft

3511do - 3500 K 780 lumens / ft 7.5 w /ft

3508do - 3500 K 560 lumens / ft 5.5w /ft

3505do - 3500 K 350 lumens / ft 3.1 w /ft

Low output

WhTudo - White tuning 2700K @ 1050 lumens/foot

and 6500k @1200 lumens/foot 12.5 watt/foot

Use of programmable drivers allow different outputs (lumen output and load) in fix color temperature versions

Uplight Output

NoUp - No Uplight

3017up - 3000 K 1200 lumens / ft 12 w /ft

3014up - 3000 K 1000 lumens / ft 10 w /ft

3011up - 3000 K 780 lumens / ft 7.5 w /ft

3008up - 3000 K 560 lumens / ft 5.5w /ft

3005up - 3000 K 350 lumens / ft 3.1 w /ft

3517up - 3500 K 1200 lumens / ft 12 w /ft

3514up - 3500 K 1000 lumens / ft 10 w /ft

3511up - 3500 K 780 lumens / ft 7.5 w /ft

3508up - 3500 K 560 lumens / ft 5.5w /ft

3505up - 3500 K 350 lumens / ft 3.1 w /ft

WhTuUp - White tuning 2700K @ 1050

lumens/foot and 6500k @1200 lumens/foot 12.5

watt/foot

All Uplight versions with light will have a transparent diffuser

Use of programmable drivers allow different outputs (lumen output and load) in fix color temperature versions

Finish

WH - White

BK - Black

CU - Custom Color

Specify RAL color



LeeSti Pendant Double

LeeSti / Pendant

Dimming

0 - Non Dimmable 120v

1 - Non dimmable 277v

4 - Dimmable 0-10v (4wires, 120-277 v)

Dimmable TRIAC (2 wires, max 25w, 120v) requires more drivers if run is bigger than 2'

Runs

A - 1' nominal module 12.5w 13 1/2"

B - 2' nominal module 38w 24 1/2"

C - 3' nominal module 37.5w 36"

D - 4' module 50w 47" nominal

Total Run: (0 ft 0 in)

Canopy

RD - Round 4" x4" Jbox

SQ - Square Plate 4"x4"

Suspension aircraft cable

36 - 36" max

100 - 100" max

Emergency

00 - No emergency

EM - Emergency module max 24"

Adding emergency to a 4' means (2) drivers and (2) emergency packages if want all in emergency

If 4 has 2 with emergency and 2 without it, will have (2) drivers and (1) emergency package

Notes:

Drivers are remote.

Max distance to drivers 100'



LeeSti Pendant Double

LeeSti / Pendant

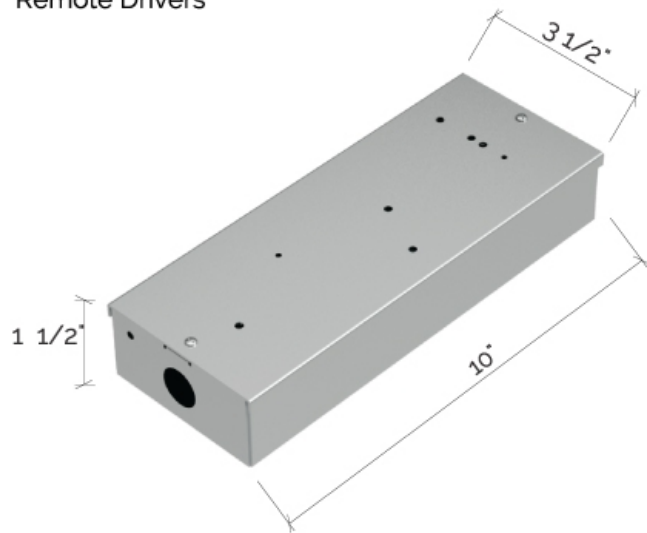


LeeSti Pendant Double

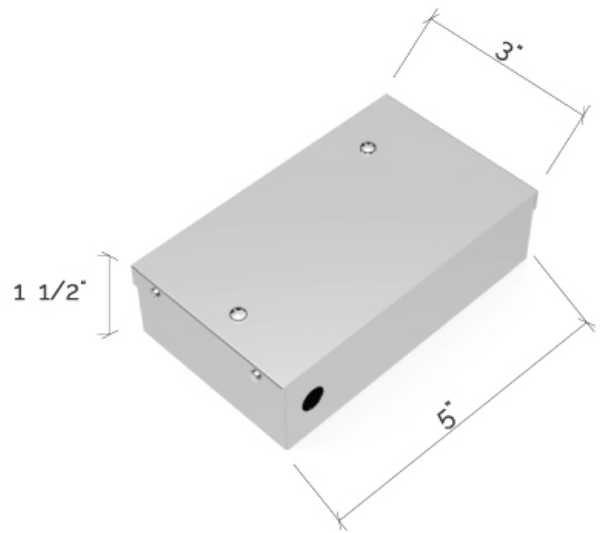
LeeSti / Pendant



Remote Drivers



Driver Box for Dimm 0-10v
NTS



Driver Box Non Dimm and TRIAC drivers
NTS

