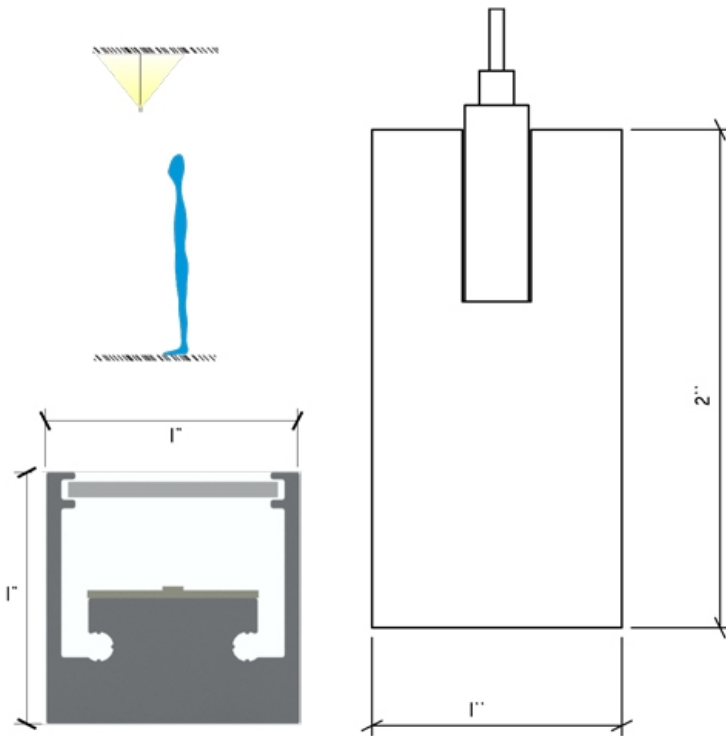


LeeSti Pendant Indirect

LeeSti / Pendant



archlit reserves the right to make changes without prior notice. (09.13.2021)

LeeSti Pendant Indirect, extruded aluminum minimal design lighting fixture with remote drivers (max 100' from fixture). Maximum length 4'. Powder-coated finish and diffuser protected with film for even illumination at highest lumen output. 1,400 lumens delivered per foot, 12.5w/foot. Dimmable and non dimmable configurations. Color temperature 3000 K and 2700K. Continuous lines with end caps and middle caps in between modules (each module needs to be fed).

LEPenIndi

LeeSti Pendant Indirect

Lumen Output

3017 - 3000 K 1200 lumens / ft 12 w /ft

3014 - 3000 K 1000 lumens / ft 10 w /ft

3011 - 3000 K 780 lumens / ft 7.5 w /ft

3008 - 3000 K 560 lumens / ft 5.5w /ft

3005 - 3000 K 350 lumens / ft 3.1 w /ft

3517 - 3500 K 1200 lumens / ft 12 w /ft

3514 - 3500 K 1000 lumens / ft 10 w /ft

3511 - 3500 K 780 lumens / ft 7.5 w /ft

3508 - 3500 K 560 lumens / ft 5.5w /ft

3505 - 3500 K 350 lumens / ft 3.1 w /ft

WhTu - White tuning 2700K @ 1050 lumens/foot

and 6500k @1200 lumens/foot 12.5 watt/foot

All Uplight versions with light will have a transparent diffuser

Use of programmable drivers allow different outputs (lumen output and load) to fix color temperature versions

Finish

WH - White

BK - Black

CU - Custom Color

Specify RAL color

Dimming Options

O - Non dimmable 120V

1 - Non dimmable 277V

4 - Dimmable 0-10v (4wires, 120/277 v)

Dimmable TRIAC (2 wires, max 25w, 120v)
requires more drivers if run is bigger than 2'



LeeSti Pendant Indirect

LeeSti / Pendant

Runs

A - 1' nominal module 12.5w 12 1/2" long

Add 1/4" for each end cap

B - 2' nominal module 25w 23 5/8" long

Add 1/4" for each end cap

C - 3' nominal module 37.5w 35" long

Add 1/4" for each end cap

D - 4' nominal module 50 w 46" long

Add 1/4" for each end cap

H - 8' nominal module 100 w 92"

Add 1/4" for each end cap

Total Run: (0 ft 0 in)

8 feet module requires (2) 0-10 v drivers or (4) TRIAC drivers.

Triac drivers max 2' , 0-10v drivers max 4'

Canopy

RD - Round 4" x 4" Jbox

SQ - Square Plate 4" x 4"

SG - Single Gang Plate

Specify RAL if custom color

Suspension Aircraft Cable

36 - 36" max

100 - 100" max

Emergency

OO - No Emergency

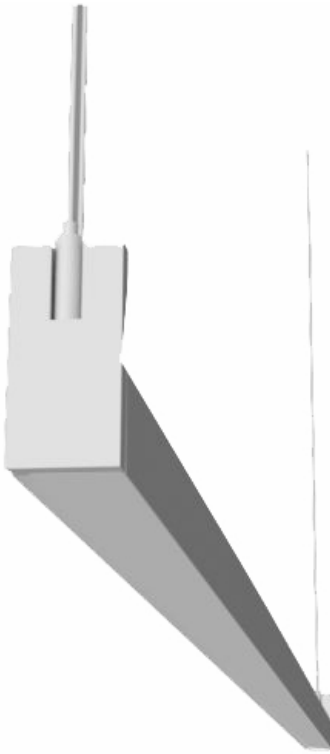
EM - Emergency module max 24'

Adding emergency to a 4' means (2) drivers and(2) emergency packages. If 4' has 2' with emergency and 2' without it will have (2) drivers and(1) emergency package

Notes:

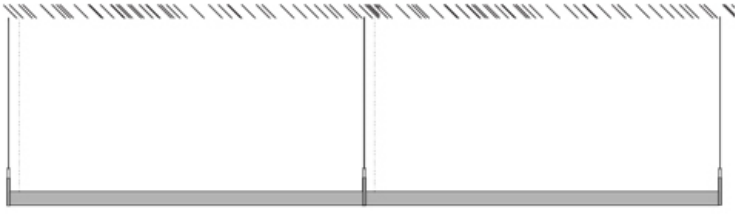
Drivers are remote

Max distance to remote drivers 100'



LeeSti Pendant Indirect

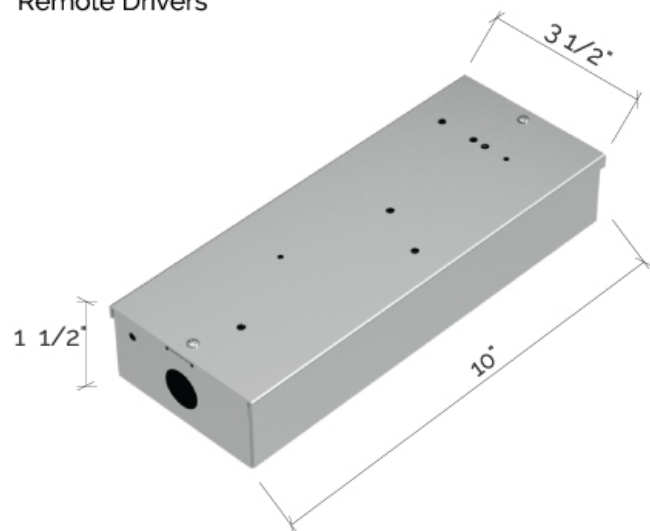
LeeSti / Pendant



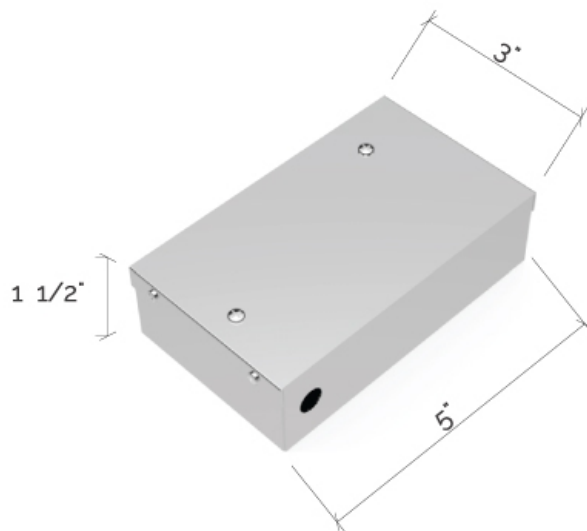
Individual modules or Lines



Remote Drivers



Driver Box for Dimm 0-10v
NTS



Driver Box Non Dimm and TRIAC drivers
NTS

