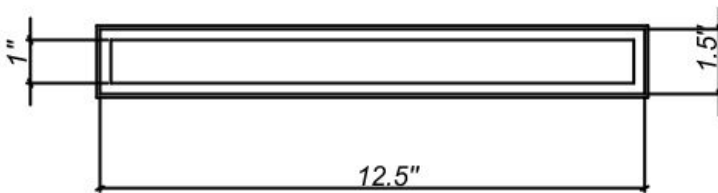
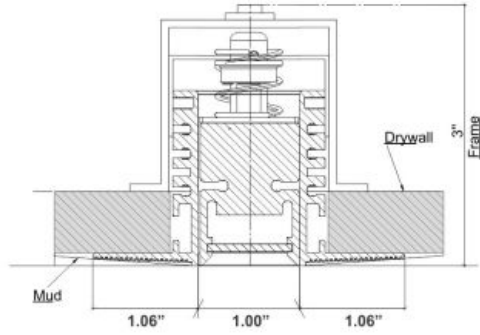


LeeSti Recess Trimless Flush

LeeSti / Recessed



archlit reserves the right to make changes without prior notice. (08.23.2021)

LeeSti Downlight is a recessed linear lighting fixture in 1', 2', 3' and 4' lengths.
A diffusing film in the lens incorporates evenness of illumination (a continuous line of light).
Dimmable or non dimmable with 0-10v dimmers (0 to 10%) with 4 wires.

LEDRF

LeeSti Downlight Recessed Trimless Flush

Lumen Output

- 3017 - 3000 K 1200 lumens / ft 12 w /ft
- 3014 - 3000 K 1000 lumens / ft 10 w /ft
- 3011 - 3000 K 780 lumens / ft 7.5 w /ft
- 3008 - 3000 K 560 lumens / ft 5.5w /ft
- 3005 - 3000 K 350 lumens / ft 3.1 w /ft
- 3514 - 3500 K 1000 lumens / ft 10 w /ft
- 3511 - 3500 K 780 lumens / ft 7.5 w /ft
- 3508 - 3500 K 560 lumens / ft 5.5w /ft
- 3505 - 3500 K 350 lumens / ft 3.1 w /ft

WhTu - White tuning 2700K @ 1050 lumens/foot
and 6500k @1200 lumens/foot 12.5 watt/foot

All Uplight versions with light will have a transparent diffuser
Use of programmable drivers allow different outputs (lumen output
and load) to fix color temperature versions

Finish

- WH - White
 - BK - Black
 - CU - Custom Color
- Specify RAL color

Dimming Options

- 0 - Non dimmable 120V
- 1 - Non dimmable 277V
- 4 - Dimmable 0-10v (4wires, 120/277 v)



Runs

A - 1' module 12.5 inches 12.5 w

Cut out 1 3/4" x 13 1/8"

B - 2' nominal module 25w

Cut out 1 3/4" x 24 1/2"

C - 3' module 35 inches 37.5 w

cut out 1 3/4" x 35 3/4"

D - 4' nominal module 50 w

cut out 1 3/4" x 46 3/4"

Total Run: (0 ft 0 in)

Emergency

00 - No Emergency

EM - Emergency module

Module max 4' for Emergency.

Notes:

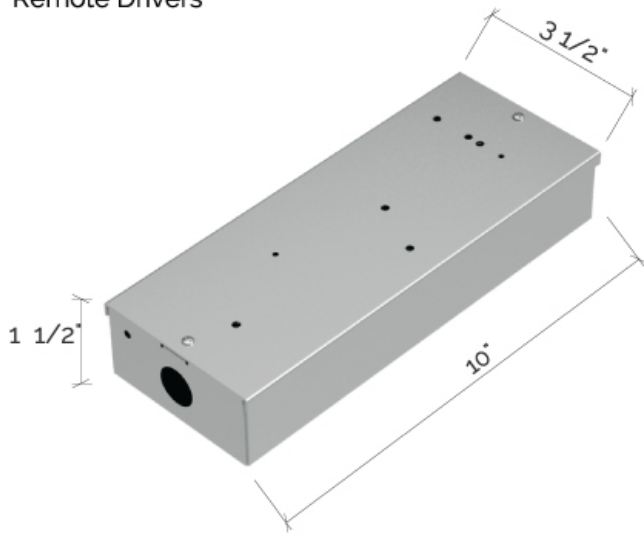
Drivers remote

McAdam 3

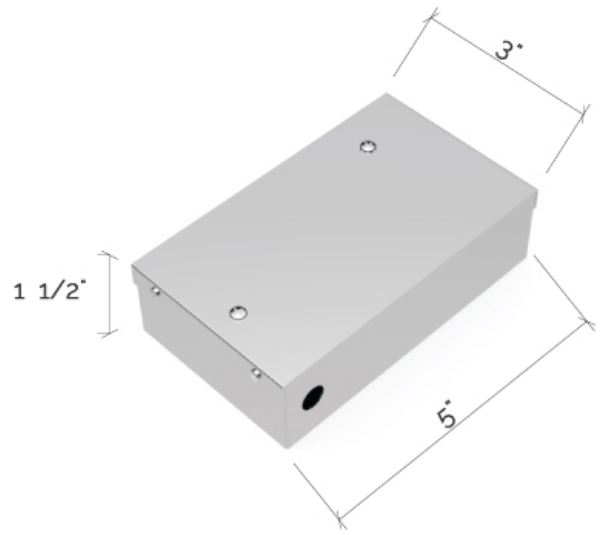
CRI >90

Max distance to drivers 80'

Remote Drivers



Driver Box for Dimm 0-10v
NTS



Driver Box Non Dimm and TRIAC drivers
NTS

