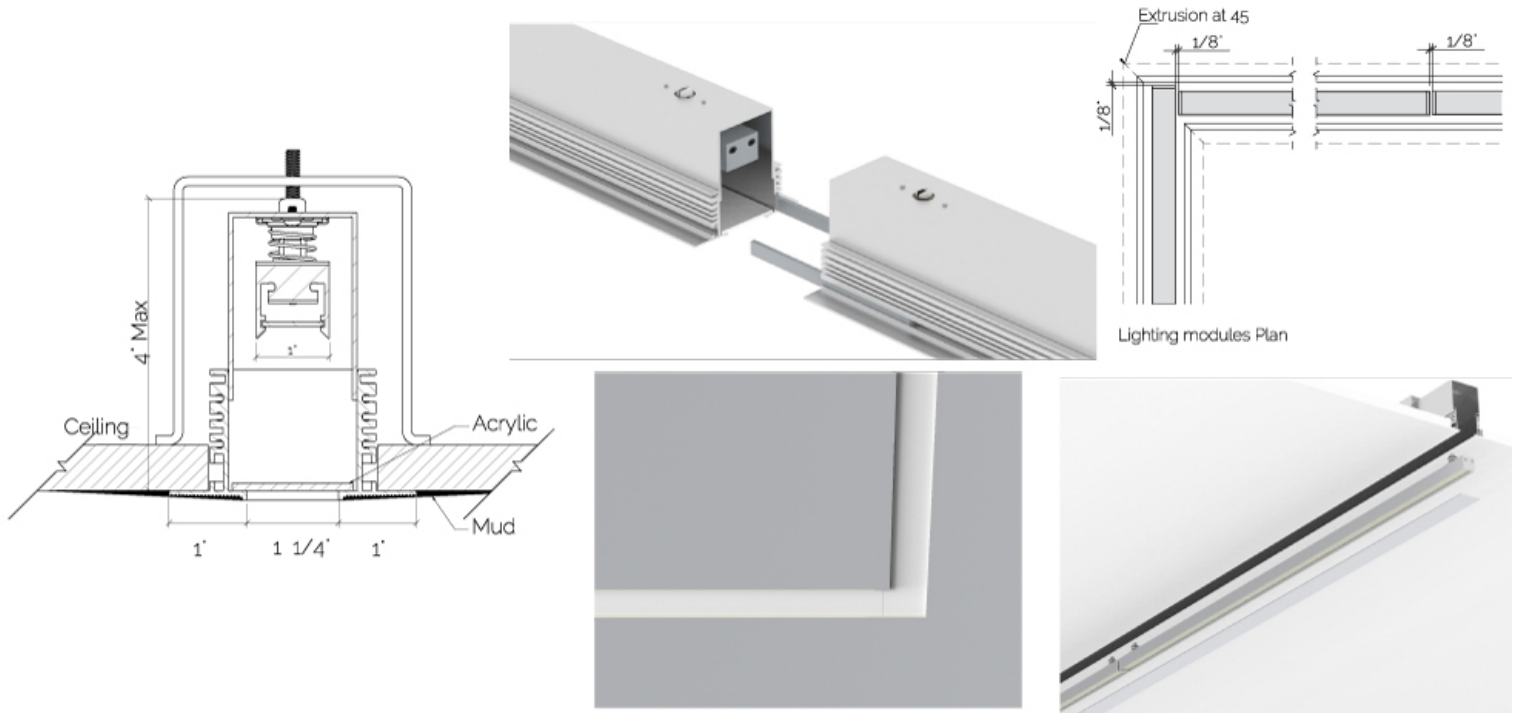


# LeeSti Recessed Continuous Trimless

LeeSti / Recessed



archlit reserves the right to make changes without prior notice. (06.06.2017)

LeeSti Recessed Continuous Trimless is a recessed linear lighting fixture in 1', 2', 3' and 4' lighting modules, lengths that are seen continuous as a diffuser is giving the image of a continuous line of light. A diffusing film in the lens at the ceiling plane incorporates evenness of illumination (a continuous line of light). Dimmable or non dimmable with 0-10v dimmers with 4 wires to connect to control systems or Triac versions with 2 wires that can be used with standard dimmers (old fashion). 3000 K and 2700 K temperature available. Lumen output of 1400 lumens and 12.5w per foot. Drivers are remote at max distance of 100'. The lighting module is pushed up to install, pushed down to uninstall. Damp location listing

## LRCTR

### LeeSti Recessed Continuous Trimless

#### Lumen Output

3017 - 3000 K 1200 lumens / ft 12 w /ft

3014 - 3000 K 1000 lumens / ft 10 w /ft

3011 - 3000 K 780 lumens / ft 7.5 w /ft

3008 - 3000 K 560 lumens / ft 5.5w /ft

3005 - 3000 K 350 lumens / ft 3.1 w /ft

3517 - 3500 K 1200 lumens / ft 12 w /ft

3514 - 3500 K 1000 lumens / ft 10 w /ft

3511 - 3500 K 780 lumens / ft 7.5 w /ft

3508 - 3500 K 560 lumens / ft 5.5w /ft

3505 - 3500 K 350 lumens / ft 3.1 w /ft

WhTu - White tuning 2700K @ 1050 lumens/foot

and 6500k @1200 lumens/foot 12.5 watt/foot

All Uplight versions with light will have a transparent diffuser

Use of programmable drivers allow different outputs (lumen output and load) to fix color temperature versions

#### Finish

WH - White

BK - Black

CU - Custom Color

Specify RAL color

#### Dimming Options

O - Non Dimmable 120v

1 - Non Dimmable 277v

4 - Dimmable 0-10v (4wires, 120-277 v)

Dimmable TRIAC (2 wires, max 25w, 120v)  
requires more drivers if run is bigger than 2'



### Runs

A - 1' module 12.5 w/ 12" nominal

B - 2' module 25w 23.5" nominal

C - 3' module 37.5w 35" nominal

D - 4' module 50w 46" nominal

COR - COR - 90 degree module of 5"x5", Corner

Specify corners only if needed and qty Example COR 4 to design a rectangle. Corners are 90 degree. When designing shapes with corners, length of linear modules of body that receive lighting modules

Total Run: (0 ft 0 in)

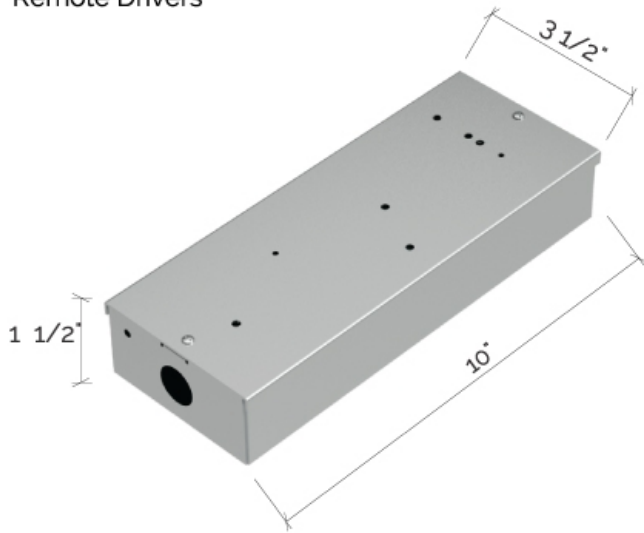
### Emergency

00 - No Emergency

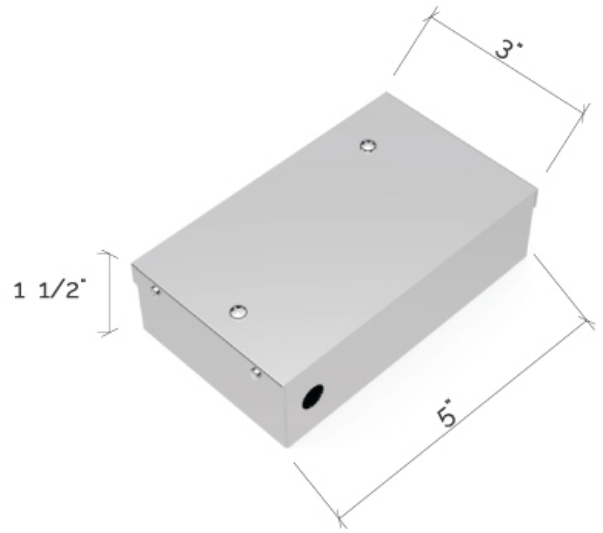
EM - Emergency

Specify how many packs per run (max emergency 4) per emergency kit if more than one

### Remote Drivers



Driver Box for Dimm 0-10v  
NTS



Driver Box Non Dimm and TRIAC drivers  
NTS

