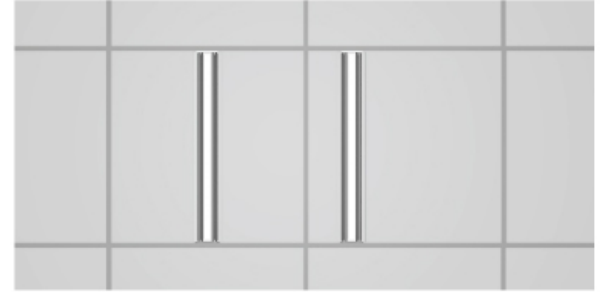
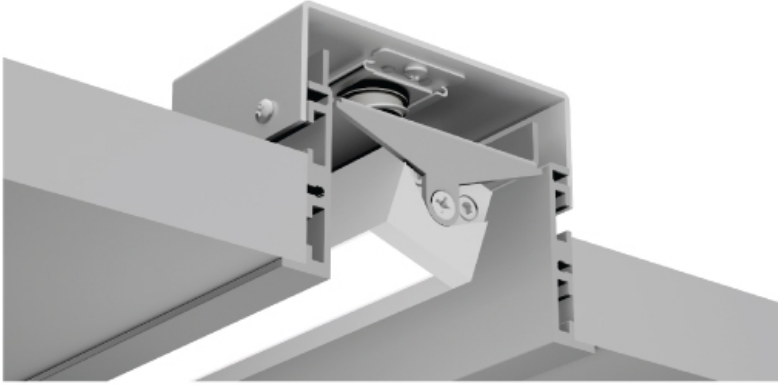
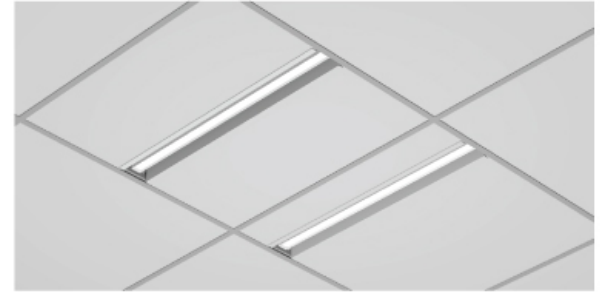
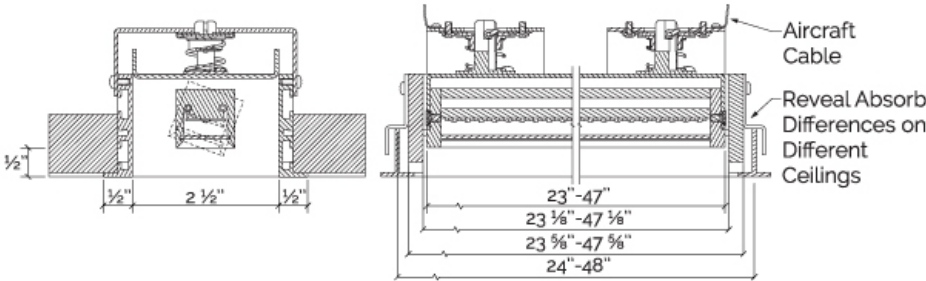


# LeeSti Recessed Grid Cut off

LeeSti / Recessed



Modules at center of grid panel or off center



archlit reserves the right to make changes without prior notice. (08.04.2021)

LeeSti Adjustable Grid Ceiling is a recessed linear lighting fixture in 2' and 4' lengths x 1-1/2" wide with cut off. 3000 K and 2700 K color temperatures available. The adjustability allows different situations in a grid ceiling environment; in an open plan a circulation can be signaled by installing the fixtures with a different direction of the general lighting orientation. Options of wall washers and off centered installations as the tiles of the ceiling are supported by the trim of the LeeSti fixture, giving flexibility for compositions since the tiles can be cut in different widths. Dimmable or non dimmable with 0-10v dimmers (0 to 10%) with 4 wires to connect to control systems or Triac versions (0-1%) with 2 wires that can be used with standard dimmers. 3000 K and 2700 K temperature available. Lumen output of 1400 lumens and 12.5w per foot. Fixture with holes to suspend lighting fixture by installer so weight of fixture do not need to be on ceiling structure. The fixtures are attached to the grid system, accepting a flush installation with no double trim for the tiles. Accepting leveling with a screw at sides Listed for damp location. A reveal at sides allows adjustment of different possible heights of ceiling "T" in grid by different ceiling manufacturers. Lighting fixtures can be installed generating a line interrupted by ceiling structure

## LGRICO

### LeeSti Recessed Grid Ceiling Trim Cut Off

#### Lumen Output

- 3017 - 3000 K 1200 lumens / ft 12 w /ft
- 3014 - 3000 K 1000 lumens / ft 10 w /ft
- 3011 - 3000 K 780 lumens / ft 7.5 w /ft
- 3008 - 3000 K 560 lumens / ft 5.5w /ft
- 3005 - 3000 K 350 lumens / ft 3.1 w /ft
- 3517 - 3500 K 1200 lumens / ft 12 w /ft
- 3514 - 3500 K 1000 lumens / ft 10 w /ft
- 3511 - 3500 K 780 lumens / ft 7.5 w /ft
- 3508 - 3500 K 560 lumens / ft 5.5w /ft
- 3505 - 3500 K 350 lumens / ft 3.1 w /ft

WhTu - White tuning 2700K @ 1050 lumens/foot  
and 6500k @1200 lumens/foot 12.5 watt/foot

All Uplight versions with light will have a transparent diffuser  
Use of programmable drivers allow different outputs (lumen output and load) to fix color temperature versions

#### Finish

- WH - White
- BK - Black
- CU - Custom Color
- Specify RAL color

#### Dimming Options

- O - Non dimmable 120V
- 1 - Non dimmable 277V
- 4 - Dimmable 0-10v (4wires, 120/277 v)
- Dimmable TRIAC (2 wires, max 25w, 120v) requires more drivers if run is bigger than 2'



**Runs**

B - 2' nominal lighting module 25 w

D - 4' nominal lighting module 50 w

Total Run: (0 ft 0 in)

**Emergency**

00 - No Emergency

EM - Emergency module max 24"

Specify qty if lighting module is D

Adding emergency to a 4' means (2) drivers and (2) emergency packages.

If 4' has 2' with emergency and 2' without it, will have (2) drivers and (1) emergency package

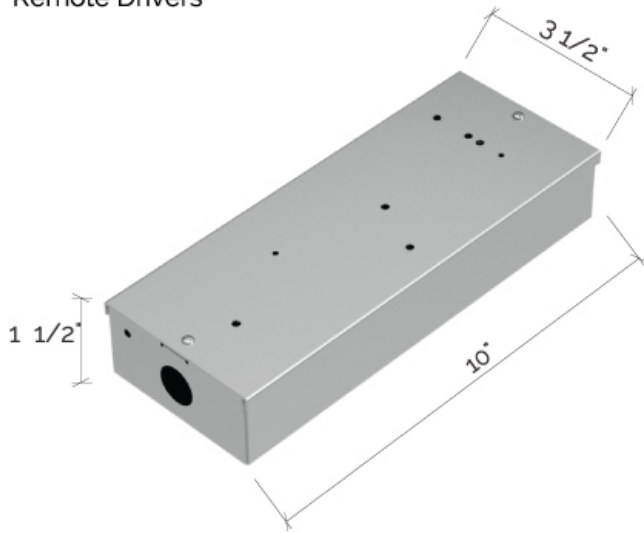
**Notes:**

Ceiling tiles on trim of lighting fixture and grid ceiling.  
Tiles cut at site.

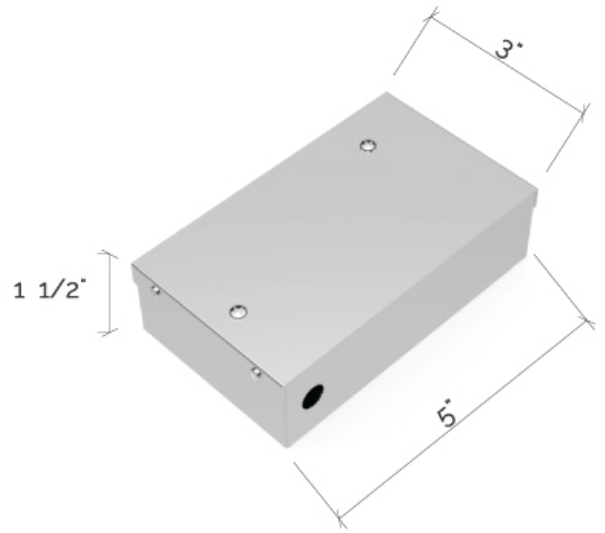
Drivers remote.

Max distance to drivers 100'.

**Remote Drivers**



Driver Box for Dimm 0-10v  
NTS



Driver Box Non Dimm and TRIAC drivers  
NTS

