



archlit reserves the right to make changes without prior notice. (08.11.2022)

LeeSti Slots, extruded aluminum minimal design lighting fixture with remote drivers (max 70' from fixture). Powder-coated finish and diffuser protected with film for even illumination at highest lumen output. 1,200 lumens delivered per foot, 12.5w/foot. Dimmable and non dimmable configurations. Continuous lines with end caps and middle caps in between modules (each module needs to be fed). Programmable drivers allow different output with same configuration. Programmable at factory. Based on Armstrong WOODWORKS Grille - Forté Ceiling Panels with slats separation of 1 3/4". Lighting module 1"x1"

LeSlo
LeeSti Slots

LeSlo -

Lumen Output Horizontal

NHor - No Horizontal

3017 - 3000 K 1200 lumens / ft 12 w /ft

3014 - 3000 K 1000 lumens / ft 10 w /ft

3011 - 3000 K 780 lumens / ft 7.5 w /ft

3008 - 3000 K 560 lumens / ft 5.5w /ft

3005 - 3000 K 350 lumens / ft 3.1 w /ft

3517 - 3500 K 1200 lumens / ft 12 w /ft

3514 - 3500 K 1000 lumens / ft 10 w /ft

3511 - 3500 K 780 lumens / ft 7.5 w /ft

3508 - 3500 K 560 lumens / ft 5.5w /ft

3505 - 3500 K 350 lumens / ft 3.1 w /ft

WhTu - White tuning 2700K @ 1050 lumens/foot
and 6500k @1200 lumens/foot 12.5 watt/foot

Lumen Output Vertical

Nvert - No Vertical

3017V - 3000 K 1200 lumens / ft 12 w /ft

3014V - 3000 K 1000 lumens / ft 10 w /ft

3011V - 3000 K 780 lumens / ft 7.5 w /ft

3008V - 3000 K 560 lumens / ft 5.5w /ft

3005V - 3000 K 350 lumens / ft 3.1 w /ft

3517V - 3500 K 1200 lumens / ft 12 w /ft

3514V - 3500 K 1000 lumens / ft 10 w /ft

3511V - 3500 K 780 lumens / ft 7.5 w /ft

3508V - 3500 K 560 lumens / ft 5.5w /ft

3505V - 3500 K 350 lumens / ft 3.1 w /ft

WhTuV - White tuning 2700K @ 1050 lumens/foot
and 6500k @1200 lumens/foot 12.5 watt/foot



Finish

- WH - White
- BK - Black
- CU - Custom Specify RAL color

Dimming

- O - Non Dimmable 120v
- 1 - Non Dimmable 277v
- 4 - Dimmable 0-10v (4wires, 120 or 277 v)

Runs Horizontal

- NHor - No Horizontal
 - A - 1' nominal 11 5/8" LED module
 - B - 2' nominal 23 5/8" LED module
 - C - 3' nominal 34 1/8" LED module
 - D - 4' nominal 46 1/8" LED module
 - E - 5' nominal 56 5/8" LED module
 - F - 6' nominal 68 5/8" LED module
 - G - 7' nominal 79 1/8" LED module
 - H - 8' nominal 91 1/8" LED module
- Specify both only if it is an L shape

Runs Vertical

- Nvert - No Vertical
 - AV - 1' nominal 11 5/8" LED module
 - BV - 2' nominal 23 5/8" LED module
 - CV - 3' nominal 34 1/8" LED module
 - DV - 4' nominal 46 1/8" LED module
 - EV - 5' nominal 56 5/8" LED module
 - FV - 6' nominal 68 5/8" LED module
 - GV - 7' nominal 79 1/8" LED module
 - HV - 8' nominal 91 1/8" LED module
- Specify both only if it is an L shape

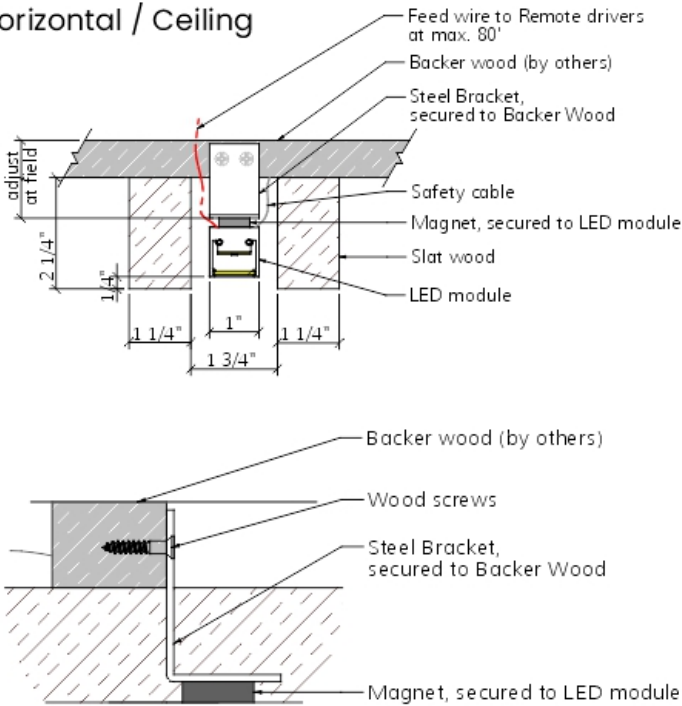
Emergency

- 00 - No Emergency
 - EM - Emergency module max. 4'
- Max emergency with 1 pack is 4' nominal

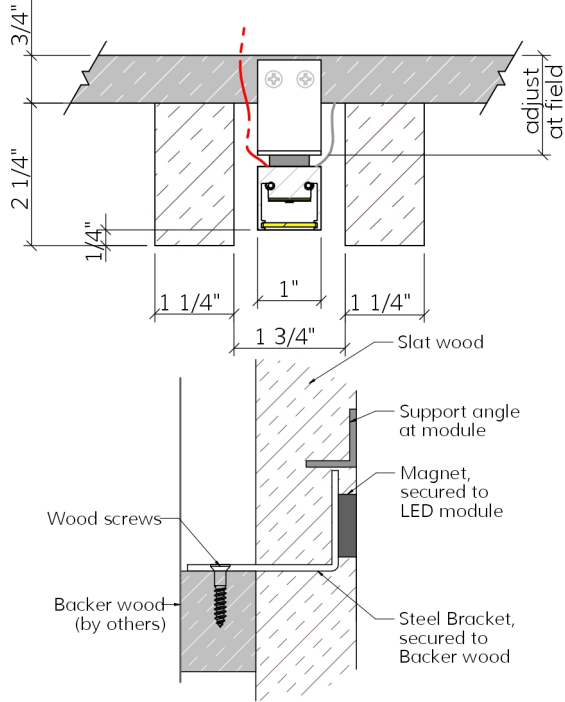
Notes:

- Drivers are Remote.
- Max distance to drivers 70' vertical and horizontal @ 90 degrees
- CRI more than 90
- McAdam 3 bin
- max segment 8'
- legths are for reference
- archlit will provide submittals

Horizontal / Ceiling



Vertical / Wall



Driver Boxes

