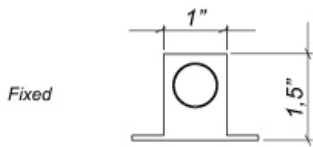
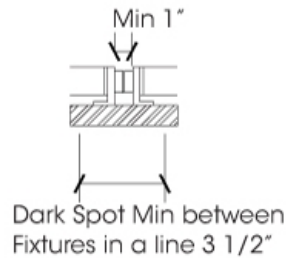


Adjustable



Fixed



Dark Spot Min between Fixtures in a line 3 1/2"



archlit reserves the right to make changes without prior notice. (09.13.2021)

LeeSti Surface LED, in 1"x 1" section in extruded aluminum. Fixed or Adjustable with diffusing film so source is not perceived. Drivers are remote and can be dimmable (0-10v -4 wires- for central dimmer systems or Triac -2 wires- for standard dimmers). 12.5 w per foot in 2700K or 3000K. Remote drivers at 100' max from the fixture. Max length of 4' for non dimmable or 0-10v dimmer. 4' for Triac version requires 2 drivers. Dark spots between lighting fixtures in lines will be 3 1/2" only seen when high glossy surfaces are used.

LS

LeeSti Surface

Lumen Output

- 3017 - 3000 K 1200 lumens / ft 12 w /ft
- 3014 - 3000 K 1000 lumens / ft 10 w /ft
- 3011 - 3000 K 780 lumens / ft 7.5 w /ft
- 3008 - 3000 K 560 lumens / ft 5.5w /ft
- 3005 - 3000 K 350 lumens / ft 3.1 w /ft
- 3517 - 3500 K 1200 lumens / ft 12 w /ft
- 3514 - 3500 K 1000 lumens / ft 10 w /ft
- 3511 - 3500 K 780 lumens / ft 7.5 w /ft
- 3508 - 3500 K 560 lumens / ft 5.5w /ft
- 3505 - 3500 K 350 lumens / ft 3.1 w /ft

WhTu - White tuning 2700K @ 1050 lumens/foot and 6500k @1200 lumens/foot 12.5 watt/foot

All Uplight versions with light will have a transparent diffuser
Use of programmable drivers allow different outputs (lumen output and load) to fix color temperature versions

Finish

- WH - White
- BK - Black
- CU - Custom Color
- Specify RAL color

Dimming

- O - Non Dimmable 120v
- 1 - Non Dimmable 277v
- 4 - Dimmable 0-10v (4wires, 120/277 v)
- Dimmable TRIAC (2 wires, max 25w, 120v) requires more drivers if run is bigger than 2'



Runs

- A - 1' nominal module 12.5 w 13"
- B - 2' nominal module 25w 25"
- C - 3' nominal module 36"
- D - 4' nominal module 50w 48"
- H - 8' nominal module 100 w 92"

Total Run: (0 ft 0 in)

Specify total length, Specify qty of each modules per run. Example:

Run 9' (2) C + (1) A

this configuration will have (2) end caps and (2) middle caps

Each module 4' needs a feed if non dimmable

Emergency

00 - No Emergency

EM - Emergency module max. 24"

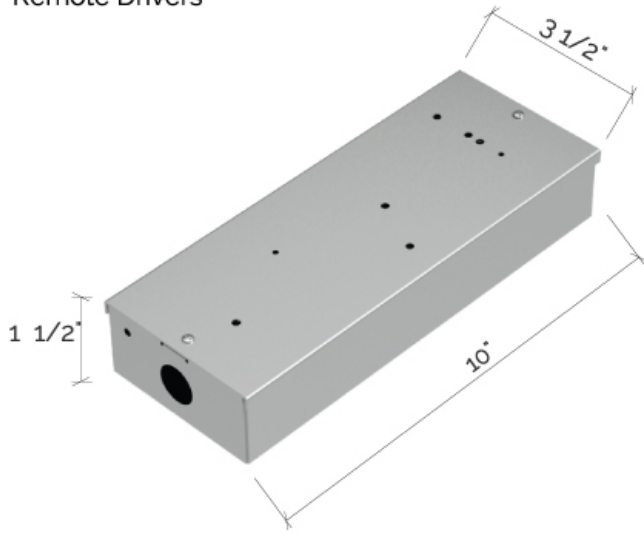
If 4' has 2' with emergency and 2' without it, will have (2) drivers and (1) emergency package Example of 4' with only 2' in emergency, spec: E (2') Example of 4' with all in emergency, Adding emergency to a 4' means (2) drivers and (2) emergency packages if want all in emergency

Notes:

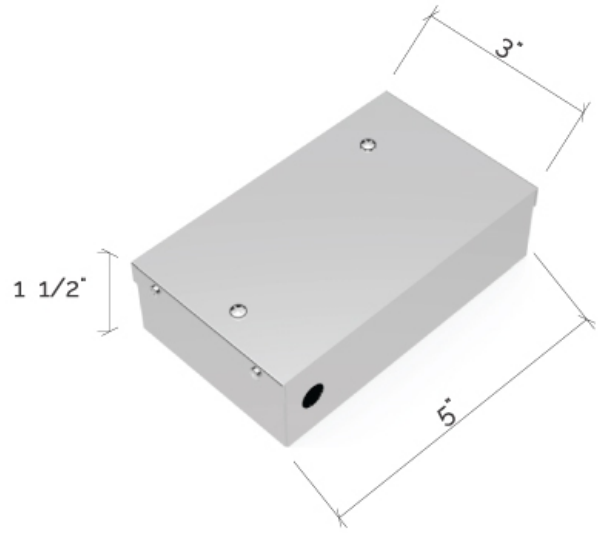
Drivers Remote.

Max distance to remote drivers 100'

Remote Drivers



Driver Box for Dimm 0-10v
NTS



Driver Box Non Dimm and TRIAC drivers
NTS

