

archlit reserves the right to make changes without prior notice. (09.30.2021)

LeeSti Task, extruded aluminum minimal design 1"x 1" lighting fixture with remote drivers (max distance 80').

Arms are the same section and can have different lengths, 12' to 24'. 3000 K and 2700 K with 12.5 w/foot.

Dimmable and non dimmable with 0-10v and Triac drivers. Special film for LED allows a continuous and even line of light.

Drivers are remote. Damp Location listed.

LTASK

LeeSti Task

**Lumen Output**

- 3017 - 3000 K 1200 lumens / ft 12 w /ft
- 3014 - 3000 K 1000 lumens / ft 10 w /ft
- 3011 - 3000 K 780 lumens / ft 7.5 w /ft
- 3008 - 3000 K 560 lumens / ft 5.5w /ft
- 3005 - 3000 K 350 lumens / ft 3.1 w /ft
- 3517 - 3500 K 1200 lumens / ft 12 w /ft
- 3514 - 3500 K 1000 lumens / ft 10 w /ft
- 3511 - 3500 K 780 lumens / ft 7.5 w /ft
- 3508 - 3500 K 560 lumens / ft 5.5w /ft
- 3505 - 3500 K 350 lumens / ft 3.1 w /ft

WhTu - White tuning 2700K @ 1050 lumens/foot  
and 6500k @1200 lumens/foot 12.5 watt/foot

All Uplight versions with light will have a transparent diffuser  
Use of programmable drivers allow different outputs (lumen output  
and load) to fix color temperature versions

**Finish**

- WH - White
- BK - Black
- CU - Custom Color
- Specify RAL color

**Dimming Options**

- 0 - Non dimmable 120V
- 1 - Non dimmable 277V
- 4 - Dimmable 0-10v (4wires, 120/277 v)



## Lighting Arms

A1 - (1) lighting arm

A2 - (2) lighting Arms

## Lighting Modules

A - 1' nominal 12.5 w

B - 2' nominal 25 w

## Vertical Length

H12 - 12" height

H18 - 18" height

H24 - 24" height

CU - Custom height

Specify height (consult with factory)

## Canopy

RD - Round 4" x4" Jbox

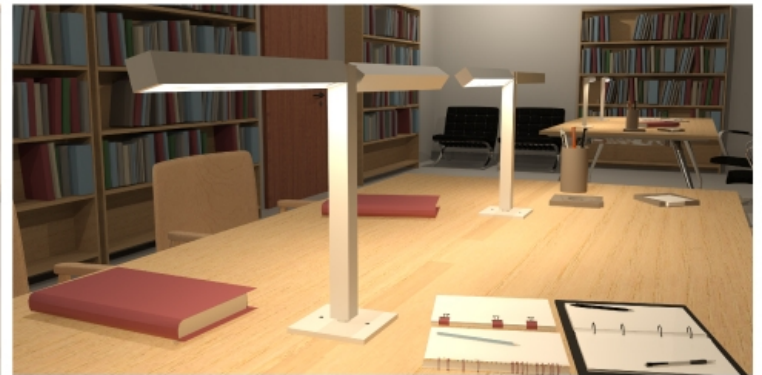
SQ - Square Plate 4"x4"

SG - Single gang plate

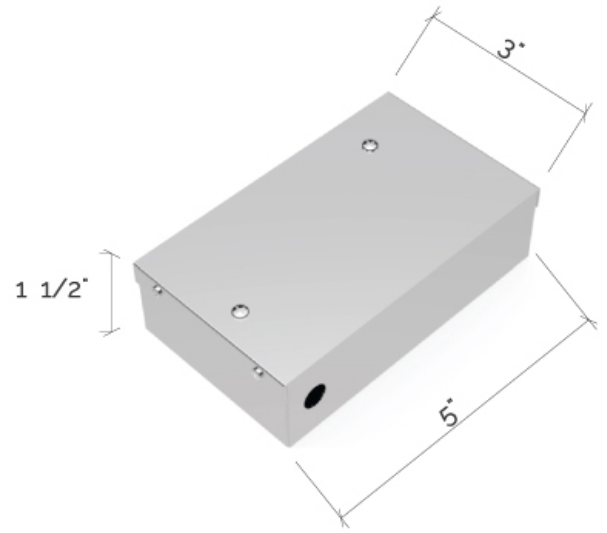
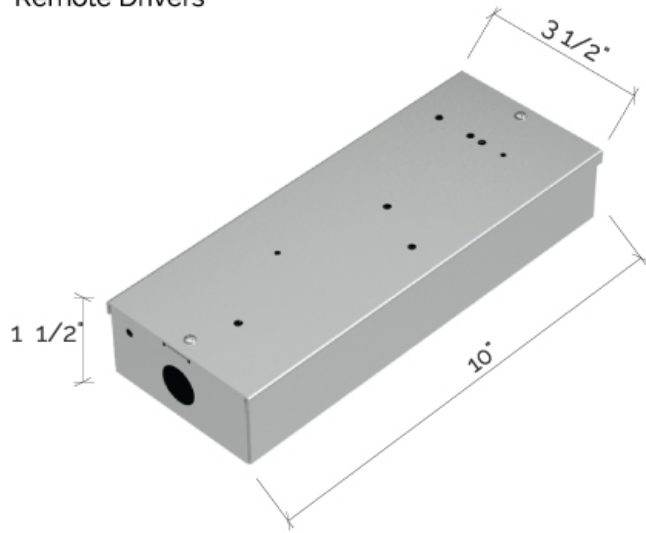
## Notes:

Remote Drivers

Max distance to drivers 20'



Remote Drivers



Driver Box for Dimm 0-10v  
NTS

Driver Box Non Dimm and TRIAC drivers  
NTS

