

archlit reserves the right to make changes without prior notice. (08.03.2021)

LeeSti Downlight is a recessed linear lighting fixture in 1', 2', 3' and 4' lengths A cut off of 1" adds visual comfort to the space, the light source is not seen. Totally concealed in the architecture.

A diffusing film in the lens incorporates evenness of illumination (a continuous line of light).

Dimmable or non dimmable with 0-10v dimmers (0 to 10%) with 4 wires to connect to control systems or Triac versions; (0-1%) with 2 wires that can be used with standard dimmers. 3000 K and 2700 K temperature available. Lumen output of 1400 lumens and 12.5w per foot. Drivers are remote.

The lighting module is pushed up to install, pushed down to uninstall.

LEDRC

LeeSti Trimless Cut Off

Lumen Output

- 3017 - 3000 K 1200 lumens / ft 12 w /ft
- 3014 - 3000 K 1000 lumens / ft 10 w /ft
- 3011 - 3000 K 780 lumens / ft 7.5 w /ft
- 3008 - 3000 K 560 lumens / ft 5.5w /ft
- 3005 - 3000 K 350 lumens / ft 3.1 w /ft
- 3517 - 3500 K 1200 lumens / ft 12 w /ft
- 3514 - 3500 K 1000 lumens / ft 10 w /ft
- 3511 - 3500 K 780 lumens / ft 7.5 w /ft
- 3508 - 3500 K 560 lumens / ft 5.5w /ft
- 3505 - 3500 K 350 lumens / ft 3.1 w /ft

WhTu - White tuning 2700K @ 1050 lumens/foot
and 6500k @1200 lumens/foot 12.5 watt/foot

All Uplight versions with light will have a transparent diffuser
Use of programmable drivers allow different outputs (lumen output and load) to fix color temperature versions

Finish

- WH - White
- BK - Black
- CU - Custom Color
- Specify RAL color

Dimming Options

- 0 - Non Dimmable 120v
- 1 - Non Dimmable 277v
- 4 - Dimmable 0-10v (4wires, 120 and 277 v)
- Dimmable TRIAC (2 wires, max 25w, 120v)requires more drivers if run is bigger than 2'



LeeSti Trimless Cut Off

LeeSti / Recessed

Runs

A - 1' module 12.5 inches 12.5 w

Cut out 1 3/4" x 13 1/8"

B - 2' module 23.5 inches 25w

Cut out 1 3/4" x 24 1/2"

C - 3' module 35 inches 37.5 w

cut out 1 3/4" x 35 3/4"

D - 4' module 46 inches 50w

cut out 1 3/4" x 46 3/4"

Total Run: (0 ft 0 in)

4', 2', 3' and 1' modules, can generate individual fixtures or runs

Emergency

00 - No Emergency

EM - Emergency

Module max 24". Adding emergency to a 4' means (2) drivers and (2) emergency packages if want all in emergency If 4' has 2' with emergency and 2' without it, will have (2) drivers and (1) emergency

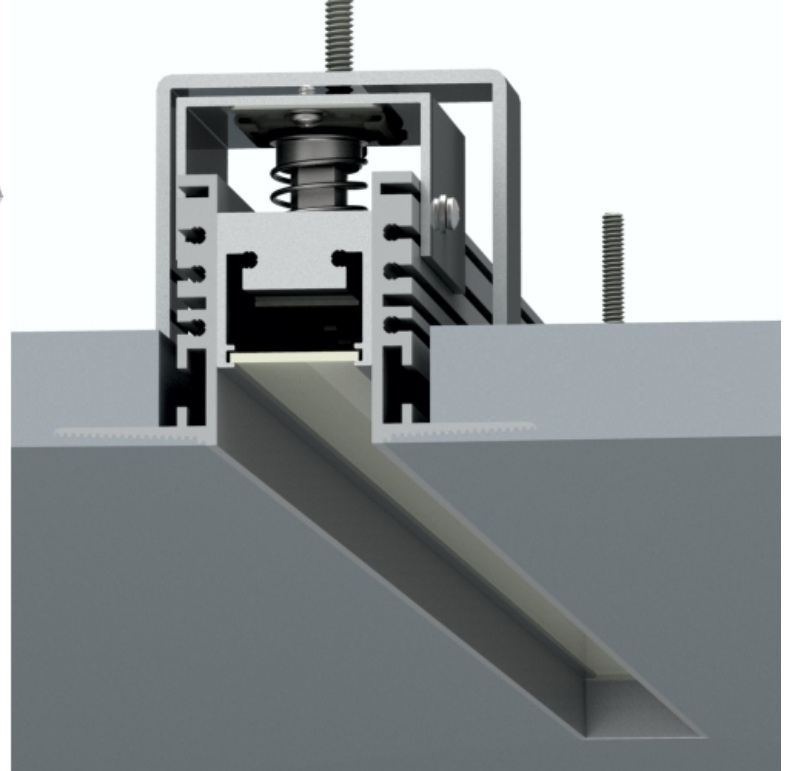
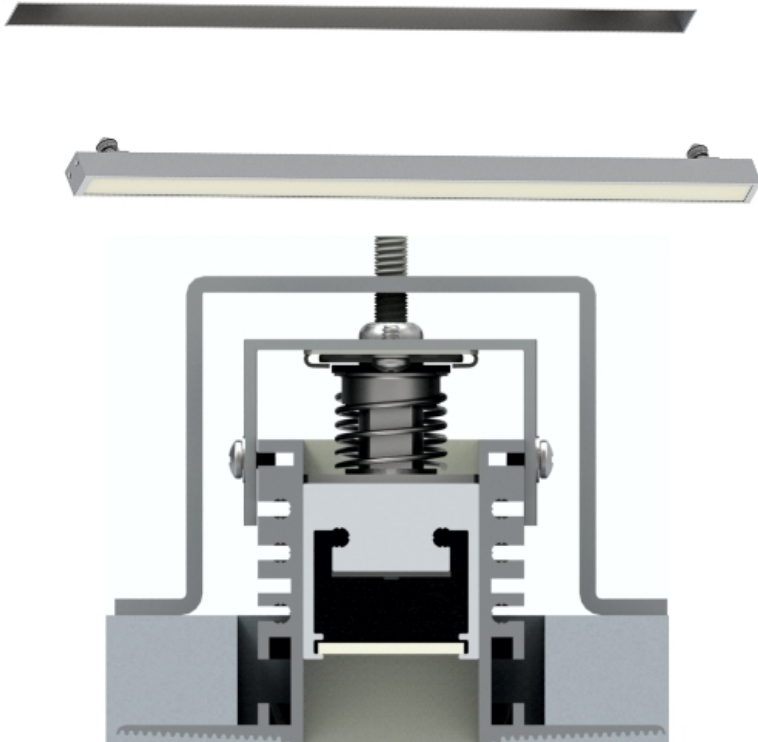
Notes:

Drivers are remote

Max distance to remote drivers 100'

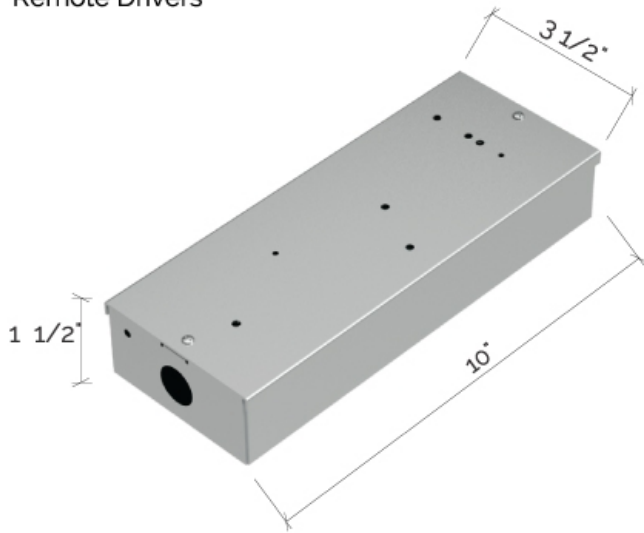
Runs of more than 4' can be accomplish, with modules of 1', 2', 3' and 4'

McAdam 3. More than 90 CRI LED

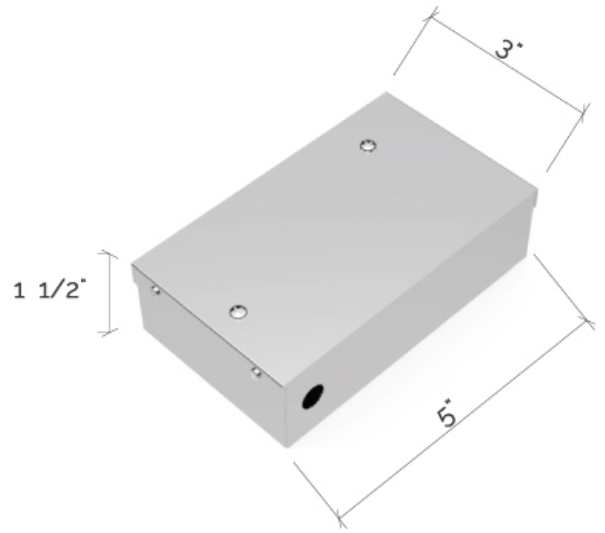




Remote Drivers



Driver Box for Dimm 0-10v
NTS



Driver Box Non Dimm and TRIAC drivers
NTS

