

archlit reserves the right to make changes without prior notice. (12.02.2020)

LeeSti WoodWind system (Direct/Indirect). Pendant in LED source only. The basic module of 4' can be installed in continuous runs. Downlight and Uplight with high performance LED 1400 lumens and 12.5 watt/ft per foot. Drivers are remote (max. 80' from fixture). Drivers for uplighting and downlighting components are different. Dimmable and non dimmable options. The system allows for different configurations (linear, squares, rectangles) with two different types of wood to play with contrasts or for consistency. The wood is FSC certified and locally harvested. The finish is eco-friendly (green seal recommended, formaldehyde free and suitable for LEED projects).

CRI more than 90. Life rating 75,000 hours

## LeWood

### LeeSti Direct/Indirect WoodWind Pendant

#### Downlight Output

FaCap - No lighting, Metal cap

3017do - 3000 K 1200 lumens / ft 12 w /ft

3014do - 3000 K 1000 lumens / ft 10 w /ft

3011do - 3000 K 780 lumens / ft 7.5 w /ft

3008do - 3000 K 560 lumens / ft 5.5w /ft

3005do - 3000 K 350 lumens / ft 3.1 w /ft

Low Output

3517do - 3500 K 1200 lumens / ft 12 w /ft

3514do - 3500 K 1000 lumens / ft 10 w /ft

3511do - 3500 K 780 lumens / ft 7.5 w /ft

3508do - 3500 K 560 lumens / ft 5.5w /ft

3505do - 3500 K 350 lumens / ft 3.1 w /ft

Low output

WhTudo - White tuning 2700K @ 1050 lumens/foot

and 6500k @1200 lumens/foot 12.5 watt/foot

Use of programmable drivers allow different outputs (lumen output and load) in fix color temperature versions

#### Uplight Output

NoUp - No Uplight

3017up - 3000 K 1200 lumens / ft 12 w /ft

3014up - 3000 K 1000 lumens / ft 10 w /ft

3011up - 3000 K 780 lumens / ft 7.5 w /ft

3008up - 3000 K 560 lumens / ft 5.5w /ft

3005up - 3000 K 350 lumens / ft 3.1 w /ft

3517up - 3500 K 1200 lumens / ft 12 w /ft

3514up - 3500 K 1000 lumens / ft 10 w /ft

3511up - 3500 K 780 lumens / ft 7.5 w /ft

3508up - 3500 K 560 lumens / ft 5.5w /ft

3505up - 3500 K 350 lumens / ft 3.1 w /ft

WhTuUp - White tuning 2700K @ 1050

lumens/foot and 6500k @1200 lumens/foot 12.5

watt/foot

All Uplight versions with light will have a transparent diffuser

Use of programmable drivers allow different outputs (lumen output and load) in fix color temperature versions

#### Finish

WH - White

BK - Black

CU - Custom Color

Specify RAL color

**Dimming Options**

- 0 - Non dimmable 120v
- 1 - Non dimmable 277v
- 4 - 0-10 v dimmer (4 wires)

**Runs Lighting Modules**

DWA - 4' nominal module White Ash 51" long  
 DW - 4' nominal module Walnut 51" long  
 Add distance between modules based on drawings  
 Runs are for linear configurations only, and need to space between modules of 2.5"  
 Specify Qty of modules if another shape  
 Add comment in Spec

**Runs Connectors**

- C1A - Connector individual, final modules White Ash
- C1W - Connector individual, final modules Walnut
- C2A - Connector intermediate modules White Ash
- C2W - Connector intermediate modules Walnut
- C3A - Connector T, L, X White Ash
- C3W - Connector T, L, X Walnut
- Specify qty in run

**Canopy**

- RD - Round 4" x 4" Jbox
- SQ - Square plate

**Suspension**

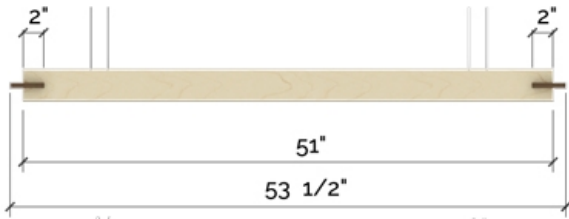
- 36 - 36" max
- 100 - 100" max

**Emergency**

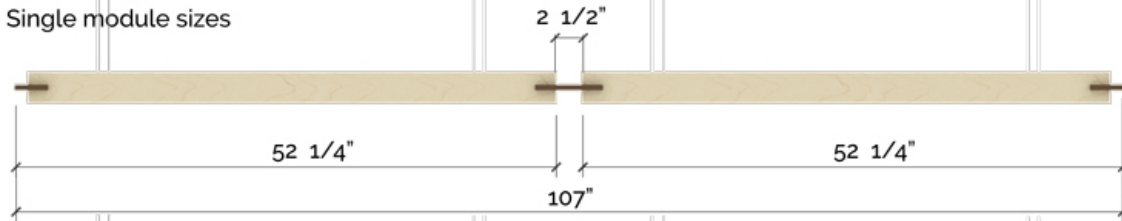
- 00 - No Emergency
- EM - Emergency
- Specify Qty

**Notes:**

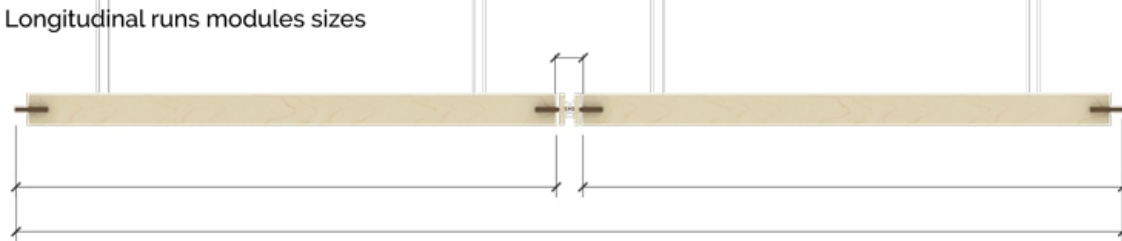
- Remote drivers
- Max distance to drivers 80'
- McAdam 3 CRI >90
- Contact factory for other type of wood



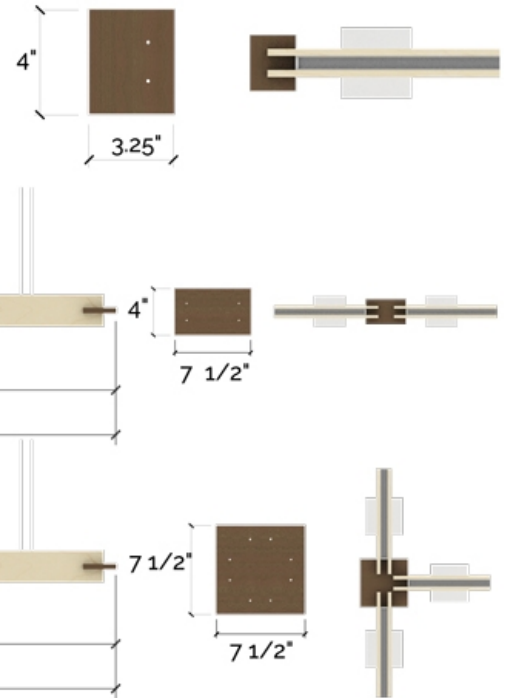
**Single module sizes**



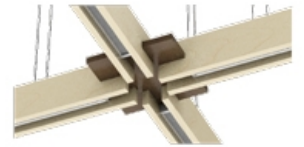
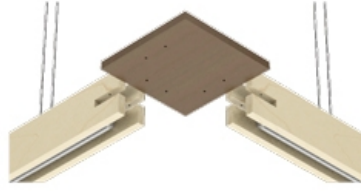
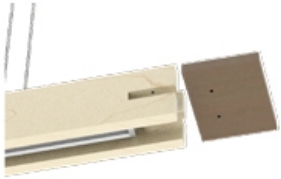
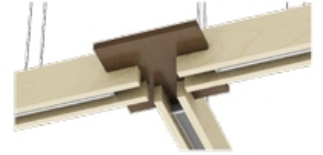
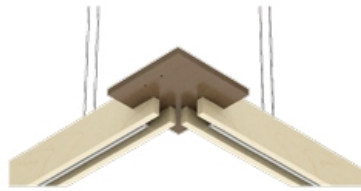
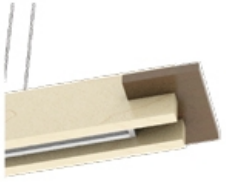
**Longitudinal runs modules sizes**



**T, X and L module configuration sizes**



### Connectors



C1

C2

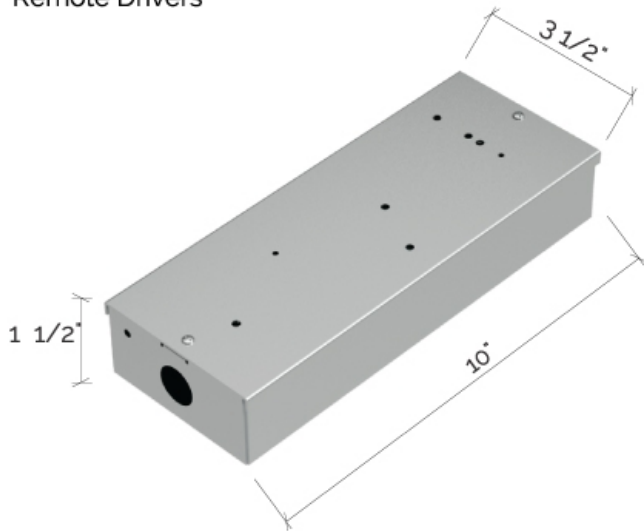
C3

Individual Fixtures and  
Final modules in runs

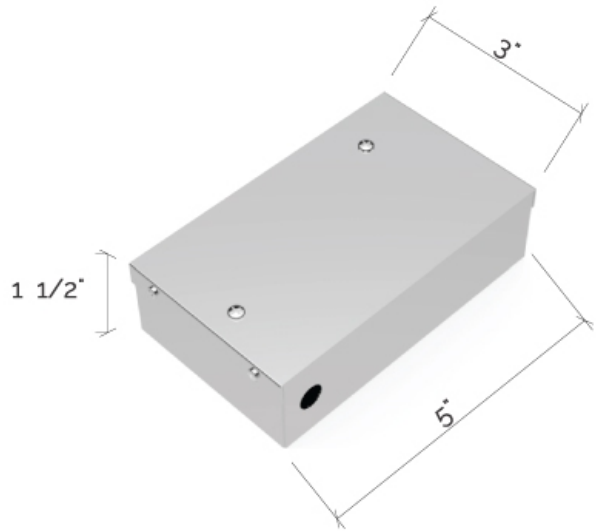
Intermediate connectors  
Longitudinal runs

T, L and X  
connectors

### Remote Drivers



Driver Box for Dimm 0-10v  
NTS



Driver Box Non Dimm and TRIAC drivers  
NTS

