

archlit reserves the right to make changes without prior notice. (12.18.2017)

LeeSti Adjustable Trimless is a recessed linear lighting fixture in 1', 2', 3' and 4' lengths. 3000 K and 2700 K color temperature available. Wall Washer or downlight. A diffusing film in the lens creates a continuous and even line of light.

Dimmable or non dimmable with Triac versions with 2 wires that can be used with standard dimmers. and 0-10v volt dimmers. All drivers are remote, max distance is 100'.

The system is installed without tools, the lighting module is pushed up to install, pushed up and down to uninstall by pressure latches. Powder coated finishes. Damp location listed.

## LEAR

### LeeSti Adjustable Recessed Trimless

#### Lumen Output

- 3017 - 3000 K 1200 lumens / ft 12 w /ft
- 3011 - 3000 K 780 lumens / ft 7.5 w /ft
- 3014 - 3000 K 1000 lumens / ft 10 w /ft
- 3008 - 3000 K 560 lumens / ft 5.5w /ft
- 3005 - 3000 K 350 lumens / ft 3.1 w /ft
- 3517 - 3500 K 1200 lumens / ft 12 w /ft
- 3514 - 3500 K 1000 lumens / ft 10 w /ft
- 3511 - 3500 K 780 lumens / ft 7.5 w /ft
- 3508 - 3500 K 560 lumens / ft 5.5w /ft
- 3505 - 3500 K 350 lumens / ft 3.1 w /ft

WhTu - White tuning 2700K @ 1050 lumens/foot  
and 6500k @1200 lumens/foot 12.5 watt/foot

All Uplight versions with light will have a transparent diffuser  
Use of programmable drivers allow different outputs (lumen output  
and load) to fix color temperature versions

#### Finish

- WH - White
- BK - Black
- CU - Custom Specify RAL color

#### Dimming Options

- O - Non Dimmable 120v
  - 1 - Non Dimmable 277v
  - 4 - Dim 0-10v (4wires, 120v-277v)
- Dimmable TRIAC (2 wires, max 25w, 120v)  
requires more drivers if run is bigger than 2'



# Leesti Adjustable Trimless

LeeSti / Recessed

## Runs

A - 1' module 12.5w/foot nominal 12 inches

Cut out 2 1/4" x 13 1/8"

B - 2' module 25w nominal 23 3/4 inches

Cut out 2 1/4" x 24 1/2"

C - 3' module nominal 35 inches

Cut out 2 1/4" x 35 3/4"

D - 4' module 50w nominal 46 inches

Cut out 2 1/4" x 46 3/4"

Total Run: (0 ft 0 in)

4', 2' and 1' modules, can generate individual fixtures or runs

## Emergency

00 - No Emergency

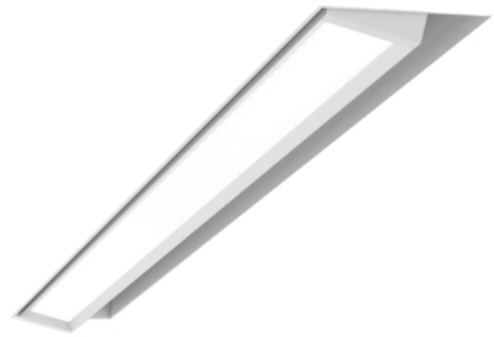
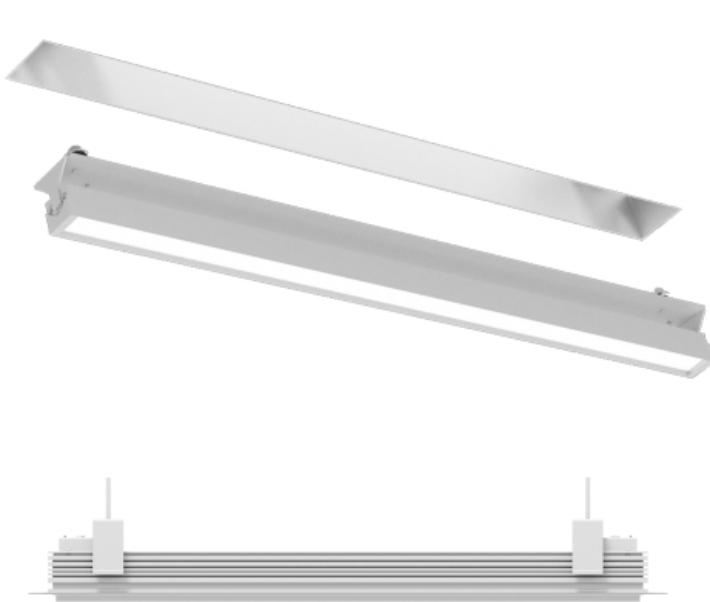
EM - Emergency

Module max 24'. Adding emergency to a 4' means (2) drivers and (2) emergency packages if want all in emergency If 4' has 2' with emergency and 2' without it, will have (2) drivers and (1) emergency

## Notes:

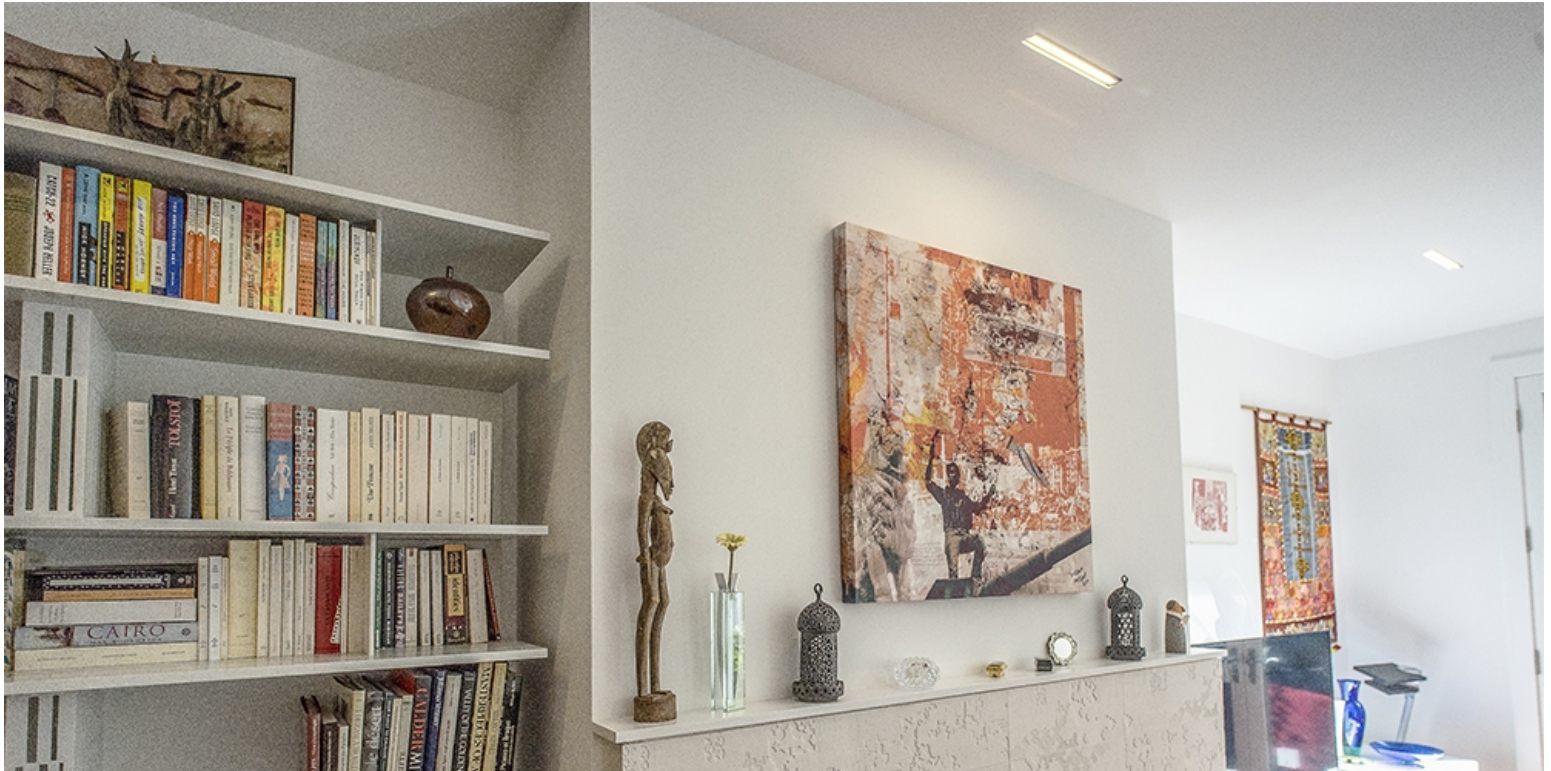
Max distance to remote drivers 100'

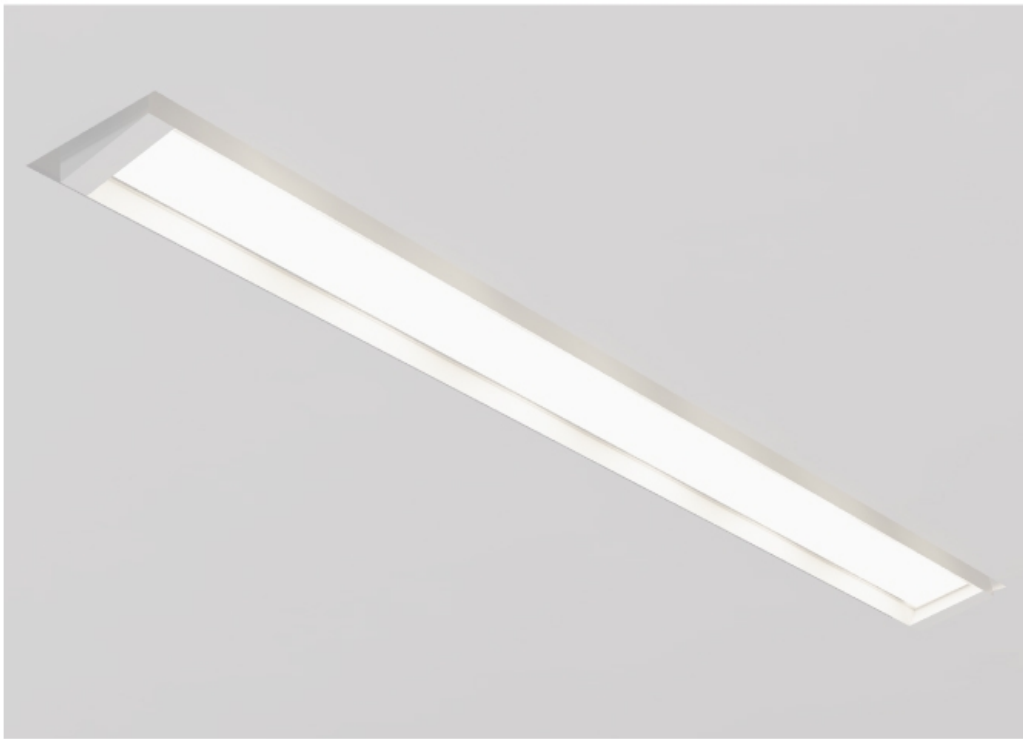
Runs of more than 4' can be accomplish, with modules of 1', 2', 3' and 4'



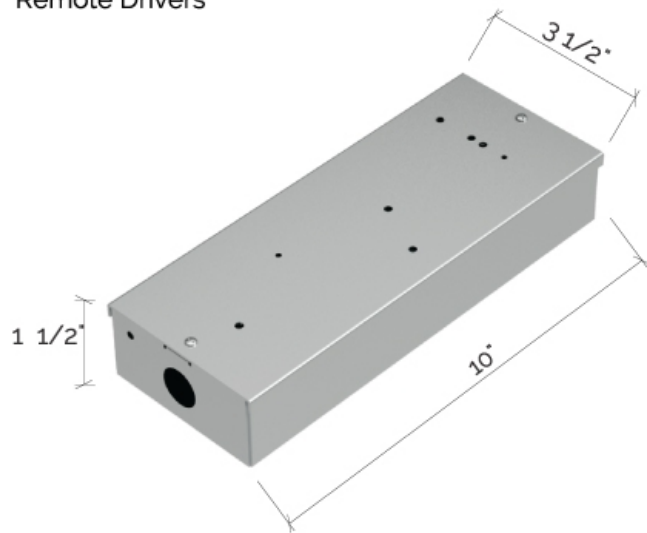
# Leesti Adjustable Trimless

LeeSti / Recessed

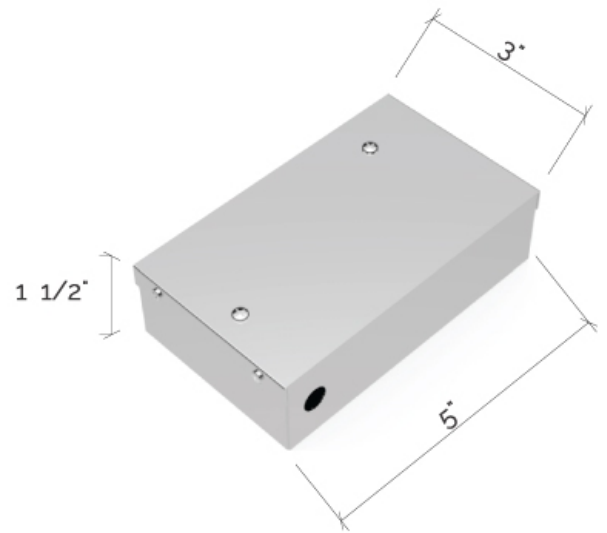




Remote Drivers



Driver Box for Dimm 0-10v  
NTS



Driver Box Non Dimm and TRIAC drivers  
NTS

