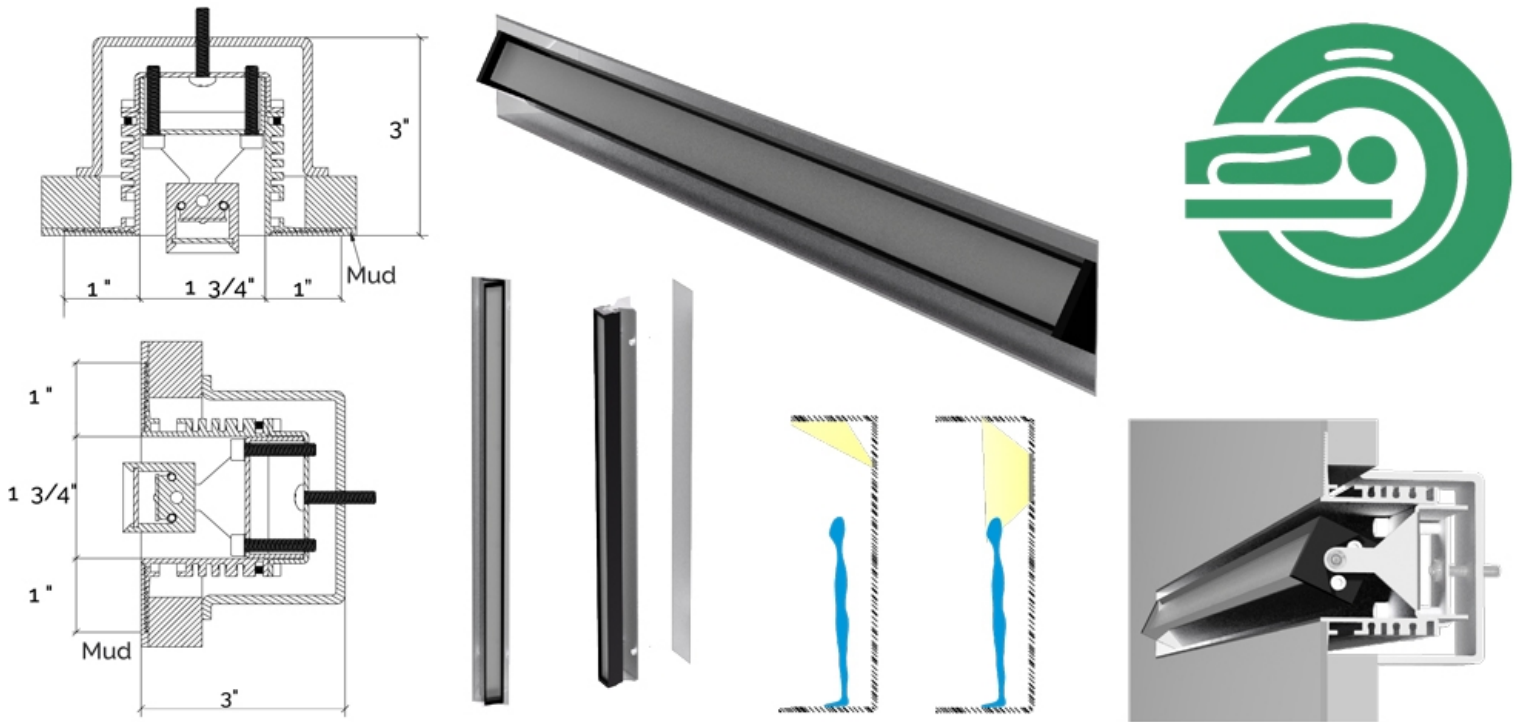


MRI LeeSti Trimless Wall

LeeSti / Wall



archlit reserves the right to make changes without prior notice. (08.11.2016)

LeeSti MRI Adjustable Recessed Trimless Wall linear, with 3000K and 2700K color temperatures available. Can be integrated into standard walls of 4 inches with its 3.6 inch depth allows to aim to the ceiling or to the space. A diffusing film in the lens controls glare and prevents from seeing the lighting source, generating a continuous line of light. Dimmable or non dimmable with 0-10v dimmers (0 to 10%) with 4 wires to connect to control systems or Triac versions with 2 wires that can be used with standard dimmers. Developed for MRI environments, fixture with non ferric materials. Drivers must be at a remote location, shielded or in another room. Vertical or horizontal installation. Damp location listed.

LMARTSV

LeeSti MRI Recessed Trimless Wall

Lumen Output

3017 - 3000 K 1200 lumens / ft 12 w /ft
 3014 - 3000 K 1000 lumens / ft 10 w /ft
 3011 - 3000 K 780 lumens / ft 7.5 w /ft
 3008 - 3000 K 560 lumens / ft 5.5w /ft
 3005 - 3000 K 350 lumens / ft 3.1 w /ft
 3517 - 3500 K 1200 lumens / ft 12 w /ft
 3514 - 3500 K 1000 lumens / ft 10 w /ft
 3511 - 3500 K 780 lumens / ft 7.5 w /ft
 3508 - 3500 K 560 lumens / ft 5.5w /ft
 3505 - 3500 K 350 lumens / ft 3.1 w /ft

WhTu - White tuning 2700K @ 1050 lumens/foot
 and 6500k @1200 lumens/foot 12.5 watt/foot

All Uplight versions with light will have a transparent diffuser
 Use of programmable drivers allow different outputs (lumen output
 and load) to fix color temperature versions

Finish

WH - White
 BK - Black
 CU - Custom Color
 Specify RAL color

Dimming Options

O - Non Dimmable 120v
 1 - Non dimmable 277v
 4 - Dim 0-10v (4 wires, 120/277v)
 Triac dimmers max, 2'. Longer modules need drivers in 2' increments



Runs

A - 1' nominal module 12.5w 12"

Cut Out 3" x 13 1/8"

B - 2' nominal module 25w 23 3/4"

Cut Out 3" x 24 1/2"

C - 3' nominal module 37.5 w 35"

Cut Out 3" x 35 3/4"

D - 4' nominal module 50w 46"

Cut Out 3" x 46 3/4"

Total Run: (0 ft 0 in)

Emergency

00 - No emergency

EM - Emergency

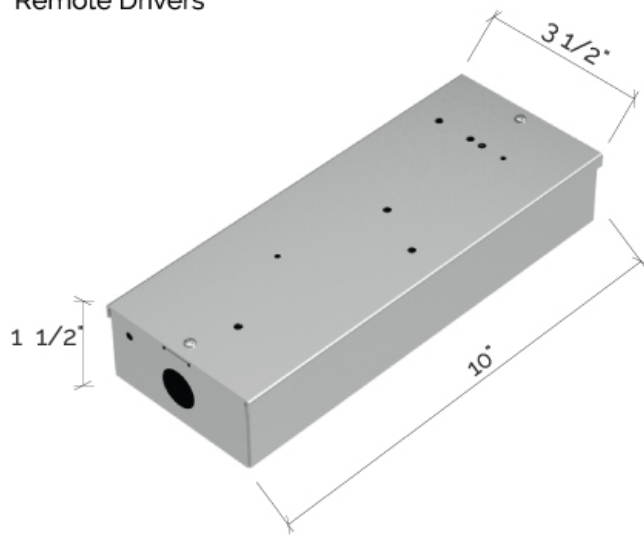
Module max 24". Adding emergency. to a 4' means (2) drivers and (2) emergency packages if want all in emergency. If 4' has 2' with emergency and 2' without it, will have (2) drivers and (1) emergency

Notes:

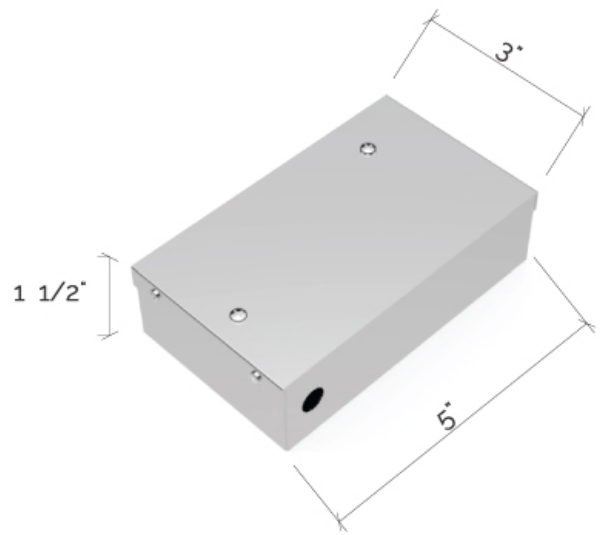
Drivers are remote

Max distance to drivers 100'

Remote Drivers



Driver Box for Dimm 0-10v
NTS



Driver Box Non Dimm and TRIAC drivers
NTS

