

LeeSti Adjustable Trimless Wall MRI

LeeSti Adjustable Wall Recessed Trimless LED

1-Make sure electrical power has been disconnected from lighting circuit before instalation.

2-Installation should be consistent with local electrical codes, nec and ulstandards.

-Collect necessary parts and tools to install:

LeeSti Lighting Module

Fixture frame with plate brackets.

Brackets to adjust to drywall with plastic screws.

Driver Remote and whip to connect lighting module

Tools: Plier, Phillips scewdriver, Hex Key, (by others)

Do Not change Plastic Screws for metallic screws
Magnetic field from MRI

Need class 2 wire to make connection between driver and fixture

3-Cut Out

2' module 25" x 2 7/8"

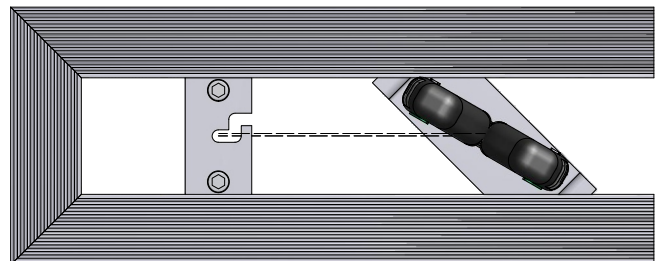
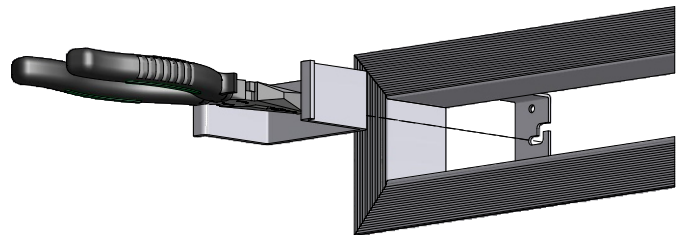
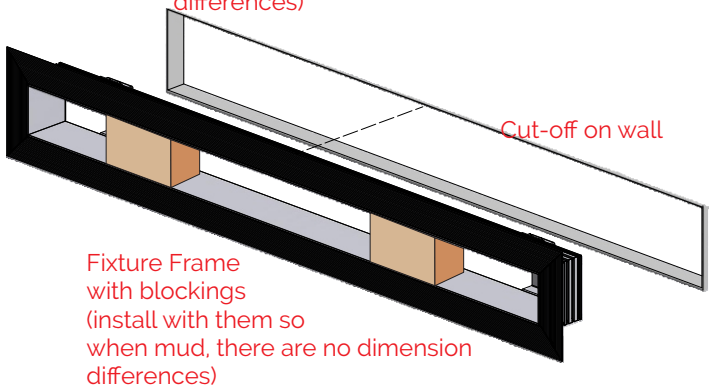
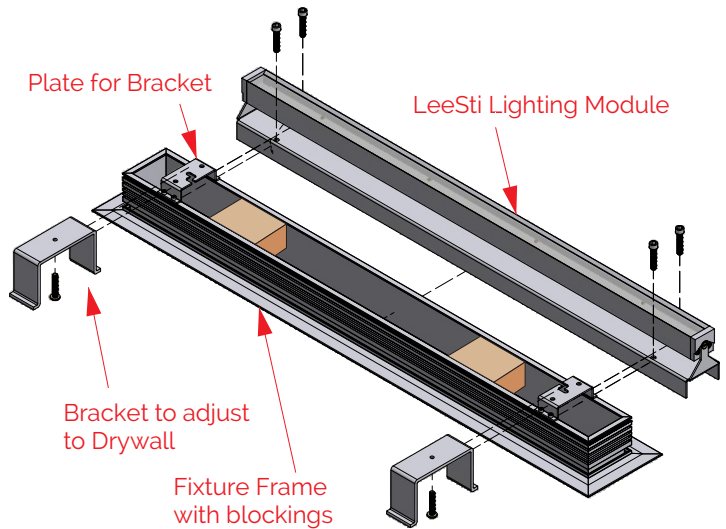
4' module 47 1/4" x 2 7/8"

4- Install drivers in desired location and wires for main power.

5-Insert fixture frame into wall opening so that flange is only showing at surface.

6-Rotate clamp bracket 90° and make sure it is parallel with fixture frame.

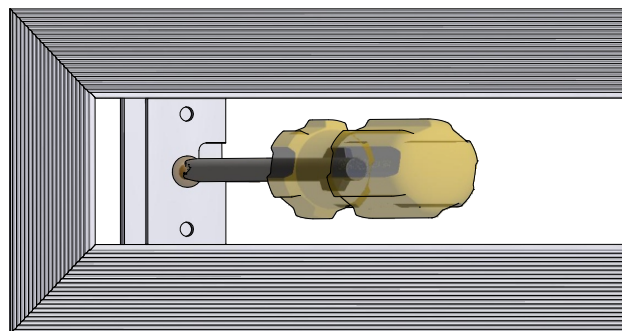
Hold clamp bracket with plastic screw using a plier and so it goes through fixture frame. Rotate 90° and put in the plate bracket slot.



LeeSti Adjustable Trimless Wall MRI

LeeSti Adjustable Wall Recessed Trimless LED

7-Tighten clamp bracket screw until it has secured frame in wall opening. (do not over-tighten bracket as it may become damaged).

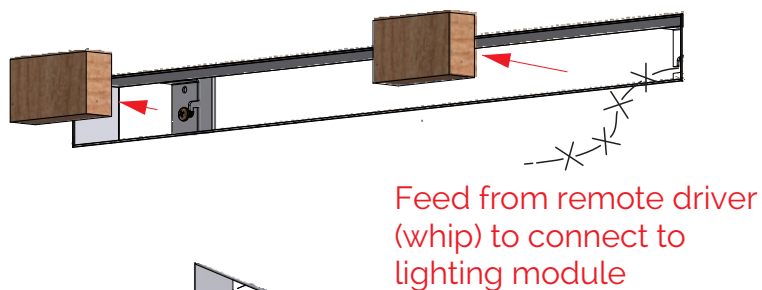


8- Use Mud around trimless edges of frame. Extract blocking once is finish. Extrusion has a guide for stopping mud (not to go over internal part of frame)



9-Connect led module to driver output cable through fixture frame.

10. Insert led module into frame completely and fasten with socket head plastic screws.



11-Restore main power to lightning circuit.

