

archlit reserves the right to make changes without prior notice. (10.18.2021)

Pendant system in aluminum extrusion and acoustic panels for acoustic treatment of spaces. Acoustic panels in 1" (NRC of 0.90) and 2" (NRC of 0.95). Different configurations upon designer needs. Upholstery in different colors. Selection of custom provided by client possible. archlit will need to test selection to verify is workable Programmable drivers (at factory) allow different outputs. End caps in aluminum powder coated runs available. Drivers are remote up to 80 feet.

Acoustic panels in 8", 12" or 16" height. Additional heights upon request

NaSds

Naive Sounds

Downlight Output

- FaCap - No lighting, Metal cap
- 3017do - 3000 K 1200 lumens / ft 12 w /ft
- 3014do - 3000 K 1000 lumens / ft 10 w /ft
- 3011do - 3000 K 780 lumens / ft 7.5 w /ft
- 3008do - 3000 K 350 lumens / ft 5.5w /ft
- 3005do - 3000 K 500 lumens / ft 3.1 w /ft
- Low Output
- 3517do - 3500 K 1200 lumens / ft 12 w /ft
- 3514do - 3500 K 1000 lumens / ft 10 w /ft
- 3511do - 3500 K 780 lumens / ft 7.5 w /ft
- 3508do - 3500 K 560 lumens / ft 5.5w /ft
- 3505do - 3500 K 350 lumens / ft 3.1 w /ft
- Low output

WhTudo - White tuning 2700K @ 1050 lumens/foot and 6500k @1200 lumens/foot 12.5 watt/foot
Use of programmable drivers allow different outputs (lumen output and load) in fix color temperature versions

Uplight Output

- NoUp - No Uplight
- 3017up - 3000 K 1200 lumens / ft 12 w /ft
- 3014up - 3000 K 1000 lumens / ft 10 w /ft
- 3011up - 3000 K 780 lumens / ft 7.5 w /ft
- 3008up - 3000 K 560 lumens / ft 5.5w /ft
- 3005up - 3000 K 350 lumens / ft 3.1 w /ft
- 3517up - 3500 K 1200 lumens / ft 12 w /ft
- 3514up - 3500 K 1000 lumens / ft 10 w /ft
- 3511up - 3500 K 780 lumens / ft 7.5 w /ft
- 3508up - 3500 K 560 lumens / ft 5.5w /ft
- 3505up - 3500 K 350 lumens / ft 3.1 w /ft

WhTuUp - White tuning 2700K @ 1050 lumens/foot and 6500k @1200 lumens/foot 12.5 watt/foot
All Uplight versions with light will have a transparent diffuser

Use of programmable drivers allow different outputs (lumen output and load) in fix color temperature versions

Finish

- WH - White
- BK - Black
- Cu - Custom color
- Specify RAL color
- Metal parts, canopy, and end caps



Finish of Fabric

Gr - Gray

Acoustic capabilities by panels. Fabric helps to achieve performance. Finish with a thin felt fabric Std is Sleet Gray 471 from chart

CUFa - Acoustical material

Please select chart number Colors can have variations depending on screen settings

Client - Custom Standard or by client Fabric

Provided by client. archlit will need samples To study possibility of work-ability with panels.

Custom Standard, specify color from chart at Custom finish

Height of Panels-wings

H08 - Height 8"

H12 - Height 12"

H16 - Height 16"

Thickness of panels

Th1 - 1" thickness with NRC 0.9

Th2 - 2" thickness with NRC 0.95

Dimming

0 - Non dimmable 120v

1 - Non dimmable 277v

4 - Dimmable 0-10v (4wires, 120 or 277 v)

Runs

B - 2' nominal 26" LED module 23 5/8"

C - 3' nominal 36 1/2" LED module 34 1/8"

D - 4' nominal 48 1/2" LED module 46 1/8"

E - 5' nominal 59" LED module 56 5/8"

F - 6' nominal 72" LED module 69 5/8"

G - 7' nominal 81 1/2" LED module 79 1/8"

H - 8' nominal 93 1/2" LED module 91 1/8"

Total Run: (0 ft 0 in)

Extrusions max length is 4' nominal

Special lengths consult factory

Factory will produce submittals for runs for approval

For special angles and configurations not straight or with special segments, consult factory

For special angles and configurations not straight or with special segments, consult factory

Canopy

RD - Round 4 1/4"

SQ - Square Plate 4 1/4" x 4 1/4"

Suspension Aircraft Cable

36 - 36" max

100 - 100" max

Emergency

00 - No Emergency

EM - Emergency

Specify qty only if Emergency

Specify quantity of 4' nominal in runs

Emergency and driver remote, up to 50"

Use BWG 18 for connections

Max 4 feet Emergency per module

Specify qty of emergency per run

Notes:

McAdam 3 step binning

More than 90 CRI

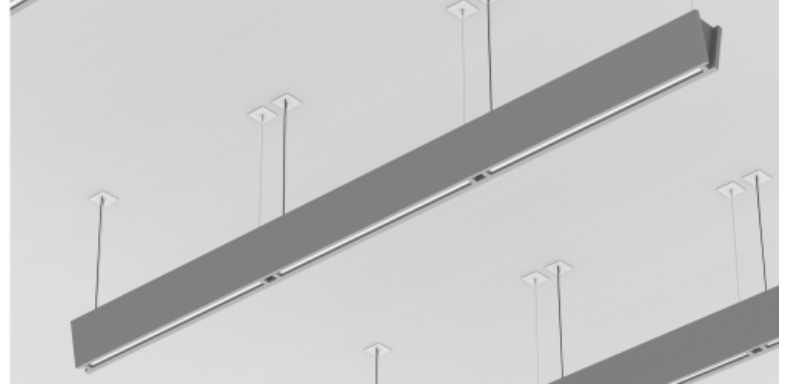
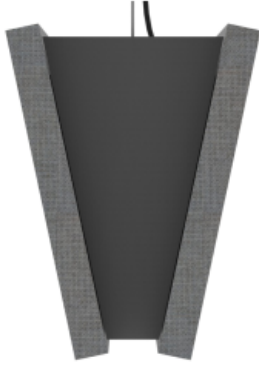
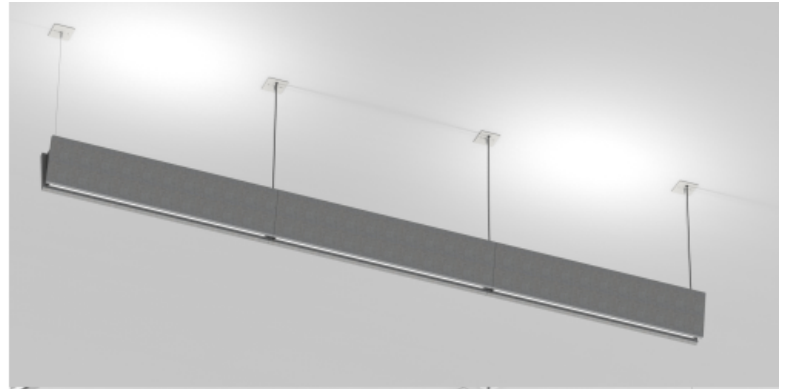
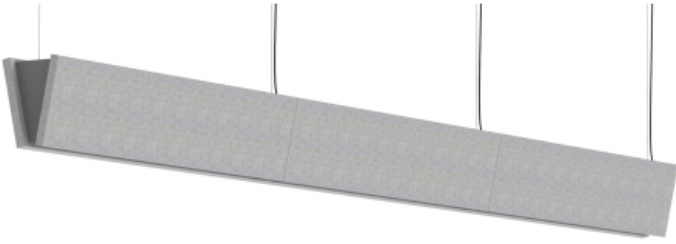
Drivers remote

Max distance to drivers 80'

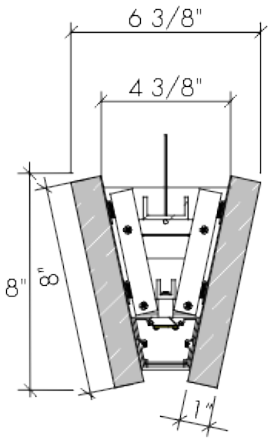
1" panels NRC 0.90

2" panels NRC 0.95

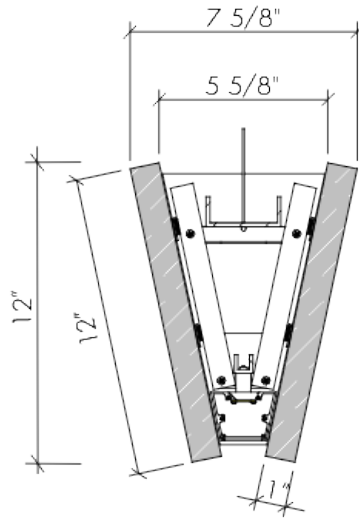




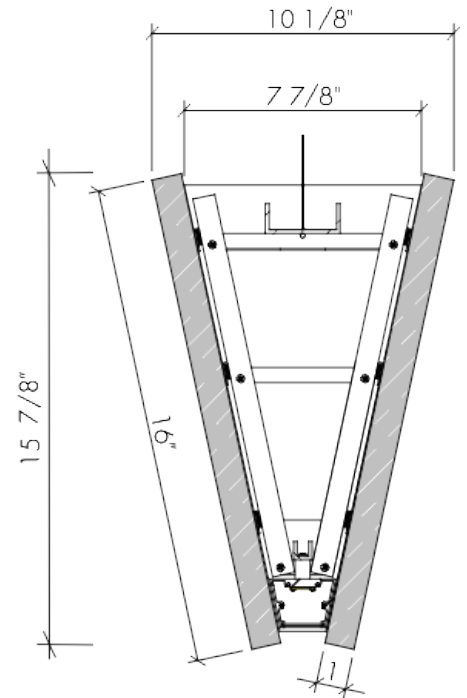
Panels Height
1' NRC= 0.9



8" panel



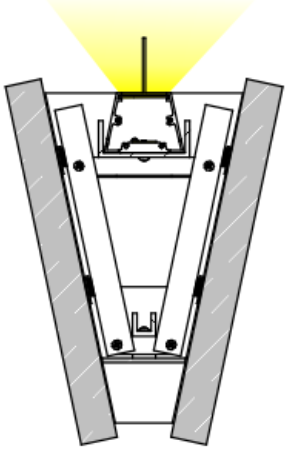
12" panel



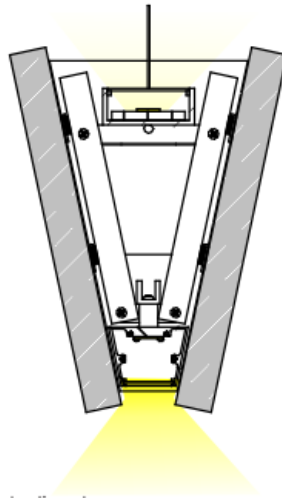
16" Panel



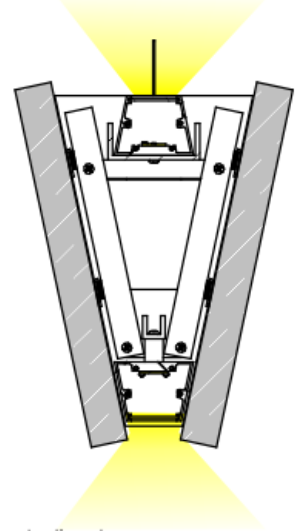
Possible Lighting output Combinations



Indirect
High Output-crystal diffuser



Indirect
Low Output

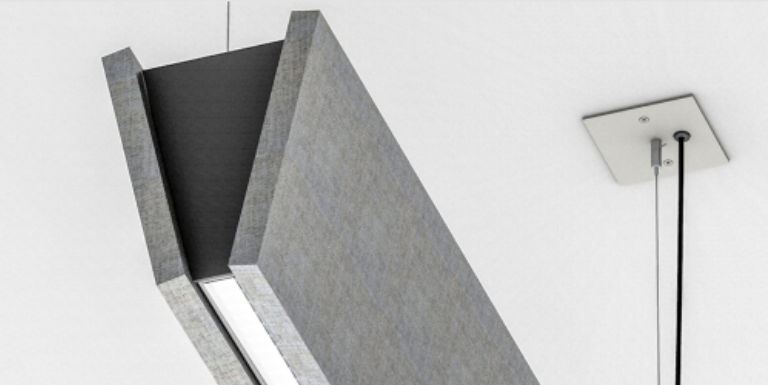
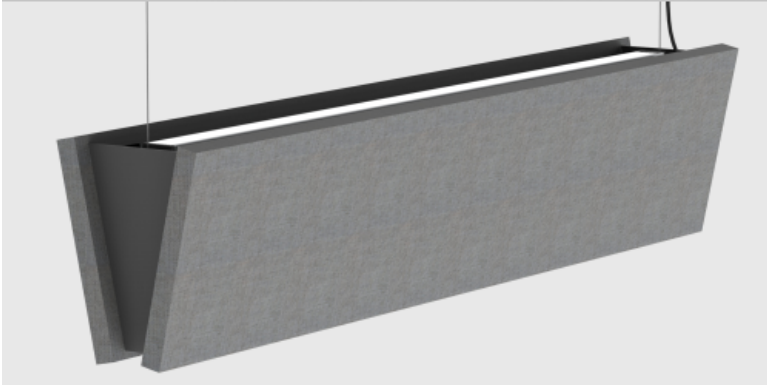
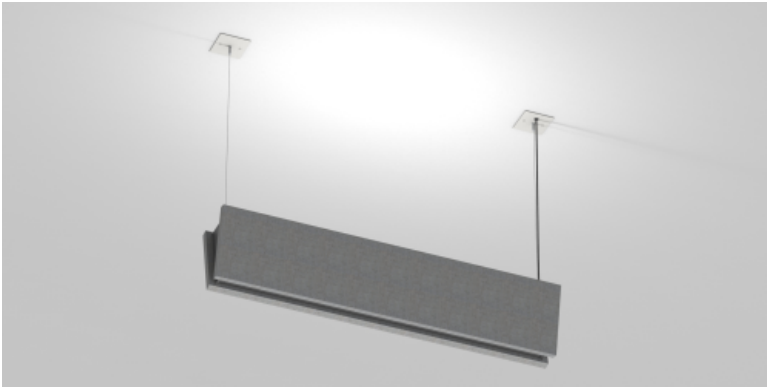


Indirect
High Output-crystal diffuser

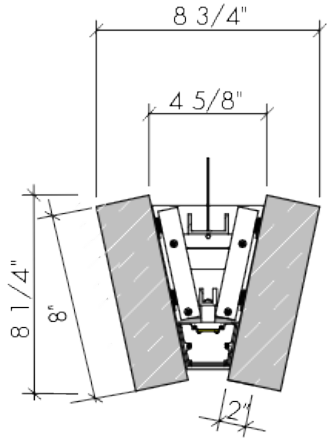
Direct
Blind aluminum
cover powder coated

Direct
High Output
Diffuser with film
No dots seen

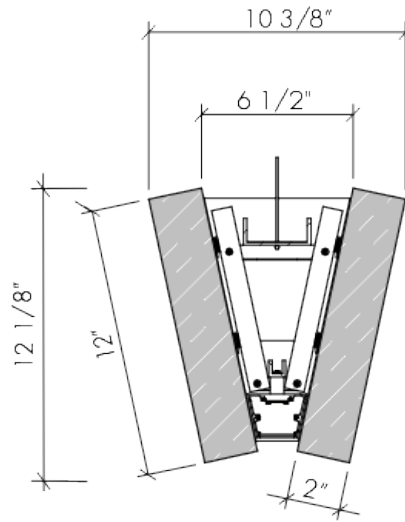
Direct
High Output
Diffuser with film
No dots seen



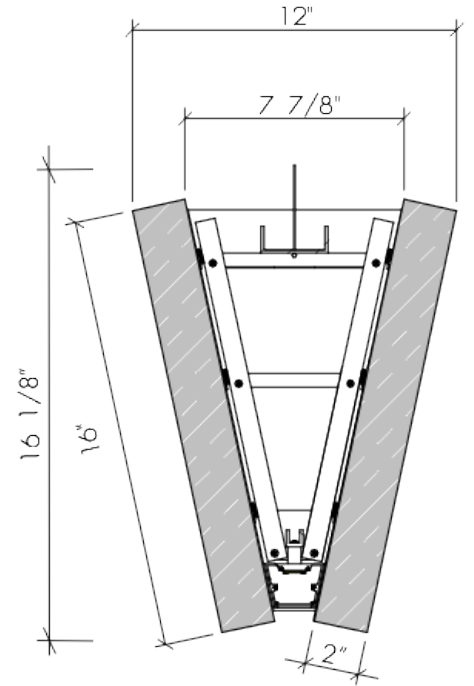
Panels Height
2' NRC= 0.95



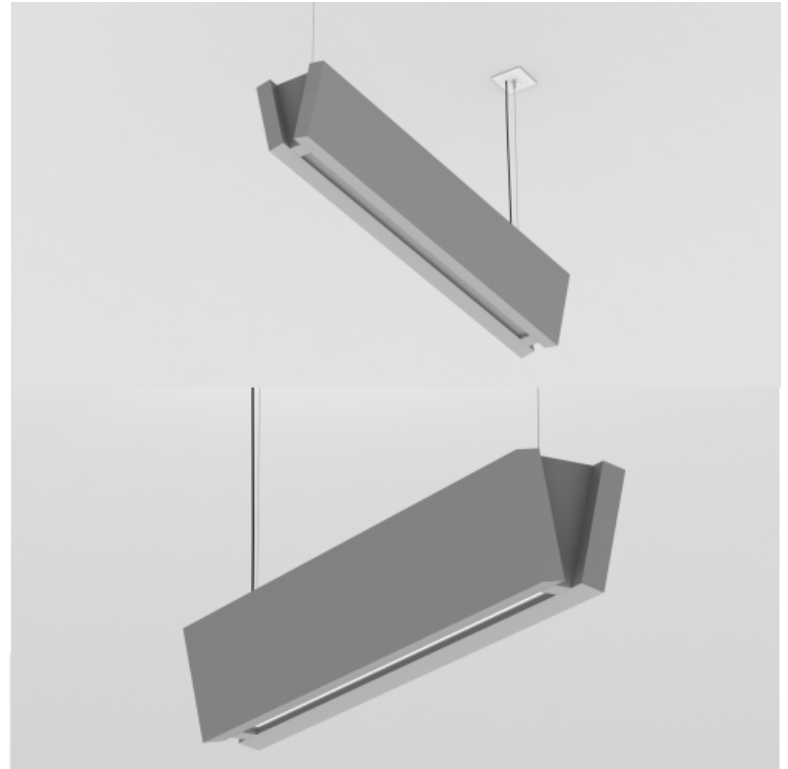
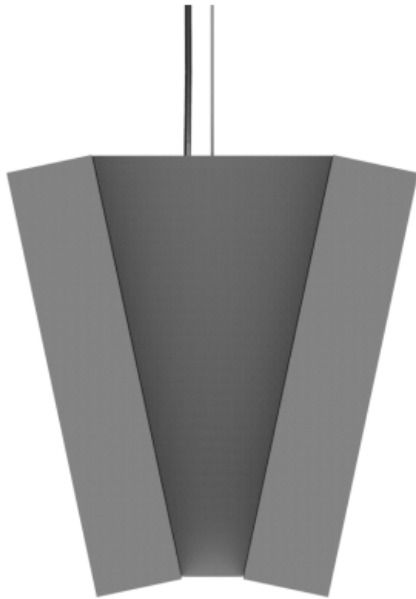
8" panel



12" panel



16" Panel



Standard FR701 Acoustic fabric Options



Yellow
744



Chartreuse
734



Fir
743



Leaf
755



Dune
749



Sunshine
797



Lime
721



Teal
742



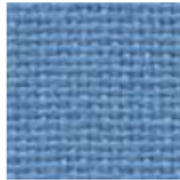
Green Neutral
402



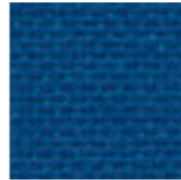
Stream
757



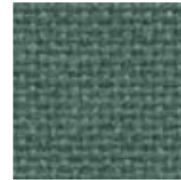
Orange
746



Sky
740



Sapphire
745



Blue Spruce
467

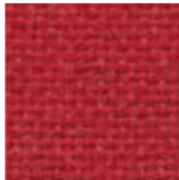


Verte Papier
561

Proudly woven in the USA

Flammability (ASTM E84)
Class I or A

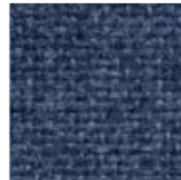
While we make every effort to make sure the colors you see here are accurate, colors may vary depending on your screen



Cardinal
738



Cobalt
420



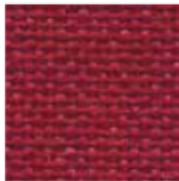
Baltic
153



Wedgewood
150



Bayberry
486



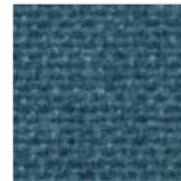
Red
799



Iris
798



Blue Plum
553



Ultramarine
470



Aquamarine
381



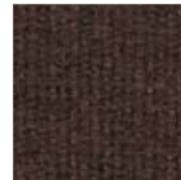
Claret Accent
418



Deep Burgundy
556



Black
408



Chocolate
793



Medium Grey
298

Acoustic capabilities by panels. Fabric helps to achieve performance.



Content

100% post-consumer recycled polyester



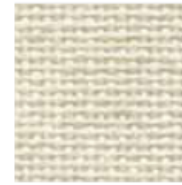
Wheat
130



Bone
748



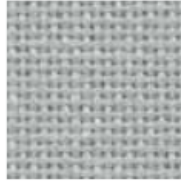
Buff
460



Eggshell
144



White
224



Eucalyptus
468



Desert Sand
758



Apricot Neutral
404



Quartz
380



Pearl
481



Blue Papier
539



Coin
794



Cherry Neutral
400



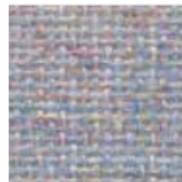
Vanilla Neutral
403



Opal
394



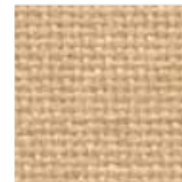
Crystal Blue
175



Blue Neutral
401



Cinnabar
422



Straw
747



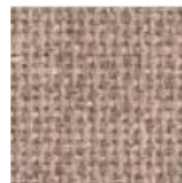
Silver Papier
538



Steel Grey
471



Grey Mix
238



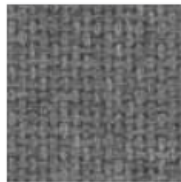
Pumice
423



Light Moss
754



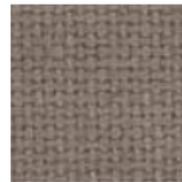
Cement Mix
750



Flannel
795



Amethyst
424



Moleskin
796



Earth
792



Silver Neutral
406

Cleaning Code

Standard Care Label W-S.
Clean with water based cleaning agents, foam or pure, water free solvents. Vacuuming or light brushing is recommended to prevent dust and soil buildup.

NRC panels 1" = 0.90

NRC panels 2" = 0.95



Driver Boxes

