

archlit reserves the right to make changes without prior notice. (08.06.2018)

Opti Pri Pendant is a lighting system in aluminum extrusion with proprietary LED boards with LG LED, CRI more than 90 than can be programmed at the factory for different outputs. These boards nominal basic length is 2' but are cuttable in 1.5' increments. Allowing different lengths. The lengths in the specification is what we do as standard (different lengths will be based on the 2' nominal in costs).

All direct use of these fixtures have a diffuser film to perceive the lighted surface as a continuous lighted surface, hiding the dots. Indirect use (not to be seen) can have a clear diffuser (against dust at boards) incrementing the output for indirect lighting.

OPrP

Opti Pri Pendant

Lumen Output

3017 - 3000 K 1700 lumens / ft 12 w /ft
 3014 - 3000 K 1400 lumens / ft 10 w /ft
 3011 - 3000 K 1100 lumens / ft 7.5 w /ft
 3008 - 3000 K 800 lumens / ft 5.5w /ft
 3005 - 3000 K 500 lumens / ft 3.1 w /ft
 3517 - 3500 K 1700 lumens / ft 12 w /ft
 3514 - 3500 K 1400 lumens / ft 10 w /ft
 3511 - 3500 K 1100 lumens / ft 7.5 w /ft
 3508 - 3500 K 800 lumens / ft 5.5w /ft
 3505 - 3500 K 500 lumens / ft 3.1 w /ft

Lighting Output Direction

dL - Direct Lighting aiming down
 iL - Indirect Lighting aiming Up
 Applies for the entire run

Finish

WH - White
 BK - Black
 CU - Custom Color
 Specify RAL color
 CU Ec - End caps Custom Color
 Specify RAL color. difference in costs apply
 End caps black unless specified.



Dimming

- O - Non dimmable 120v
- 1 - Non dimmable 277v
- 4 - Dimmable 0-10v (4wires, 120 or 277 v)

Light Distribution

- St - Standard Symmetrical
 - Ad - Asymmetrical
- Using asymmetrical in runs, specify qty. of each in product code. Good for estimates. Provide schemes /drawings to clarify asymmetrical side. archlit will generate submittals
- Specify qty of each per run
archlit will produce submittals

Light Shielding

- Du - Frosted diffuser on top. Shielding by extrusion of 1 5/8" - Cut Off
 - Dd - Frosted diffuser Down No Shielding
 - Cd - Clear diffuser for protection
 - Up - Use if fixture lighting source is hidden
- Indirect, coves, applications where lighting source is hidden
- PL - Parabolic louver with diffuse film
- Runs can include different Shieldings
- Specify qty if Shielding is different in modules of same run.

archlit will generate submittals for runs

Runs

- B - 2' nominal 24 1/4"
- C - 3' nominal 34 3/4"
- D - 4' nominal 46 3/4"
- E - 5' nominal 57 1/4"
- F - 6' nominal 69 1/4"
- G - 7' nominal 79 3/4"
- H - 8' nominal 91 3/4"

Total Run: (0 ft 0 in)

Extrusions max length is 8' nominal
Product can be adjust from nominal sizes in multiples of 1.5".
Factory will produce submittals

archlit recommends 4' max for transport

Suspension Aircraft Cable

- 36 - 36" max
- 100 - 100" max

Canopy

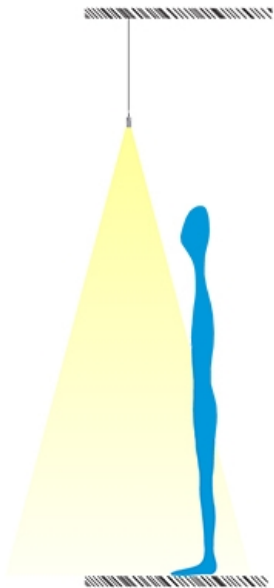
- RD - Round 4 1/4"
- SQ - Square Plate 4 1/4" x 4 1/4"

Emergency

- 00 - No Emergency
 - EM - Emergency
- Specify qty only if Emergency
- Specify quantity of 4' nominal runs in runs

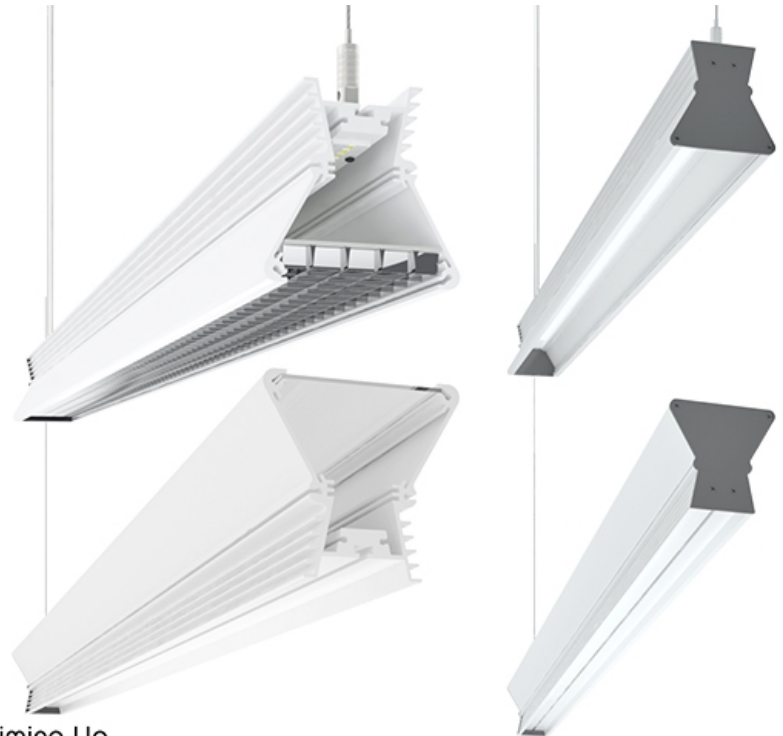
Notes:

- Drivers remote
- Max distance to drivers 100'



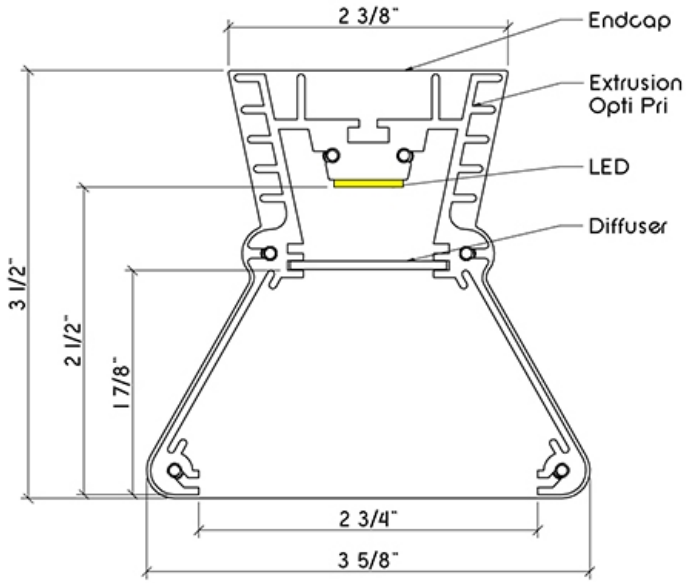
Lighting Output Direction (Applies for the entire run)

dL - Direct Lighting aiming down iL - Indirect Lighting aiming Up



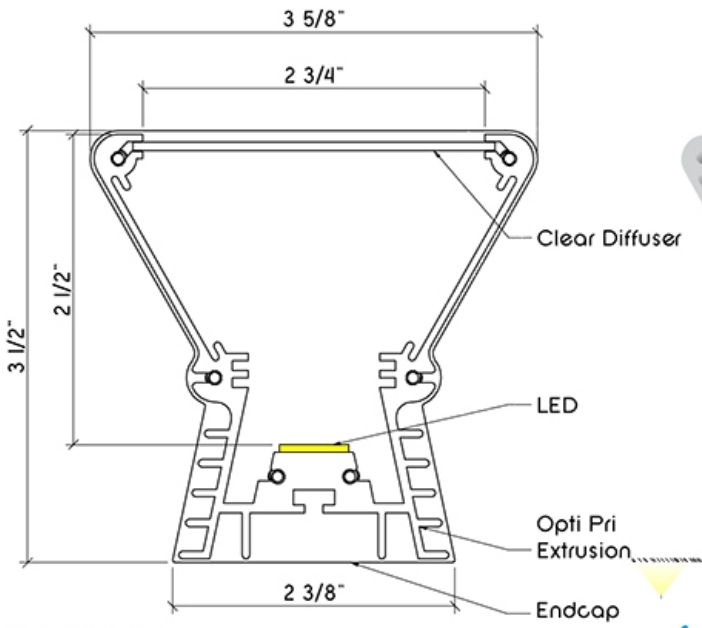
Opti Pri Pendant

Opti Pri / Pendant



Light Shielding

Du - Frosted diffuser on top. Shielding by extrusion
1 5/8" - Cut Off



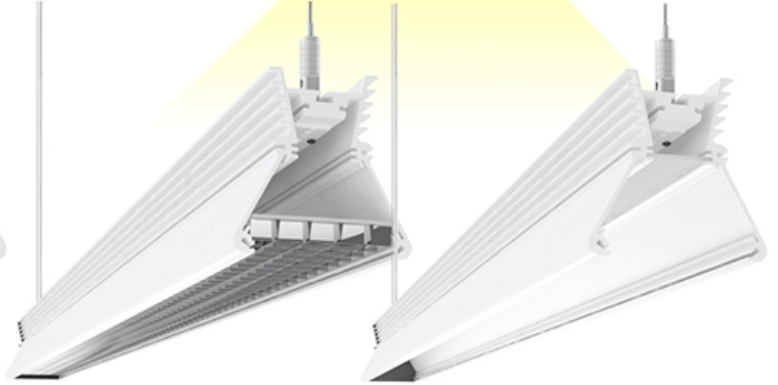
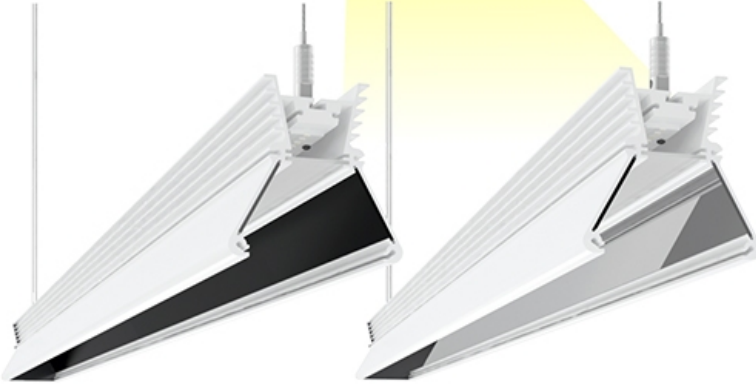
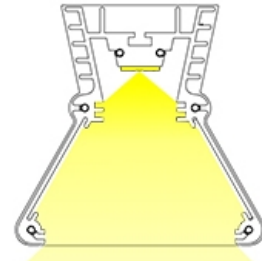
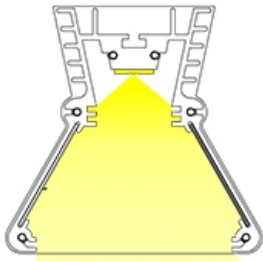
Light Shielding

Cd - Clear diffuser for protection Up -
Use if fixture lighting source is hidden



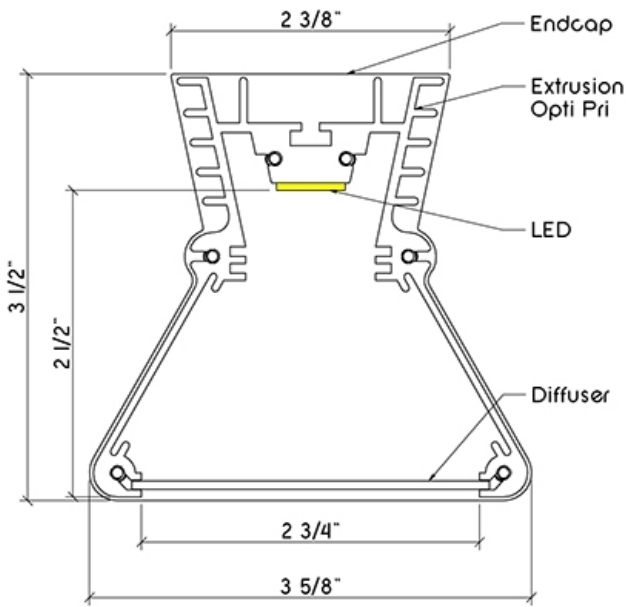
Opti Pri Pendant

Opti Pri / Pendant



Light Distribution
Ad - Asymmetrical

Light Distribution
St - Standard, Symmetrical



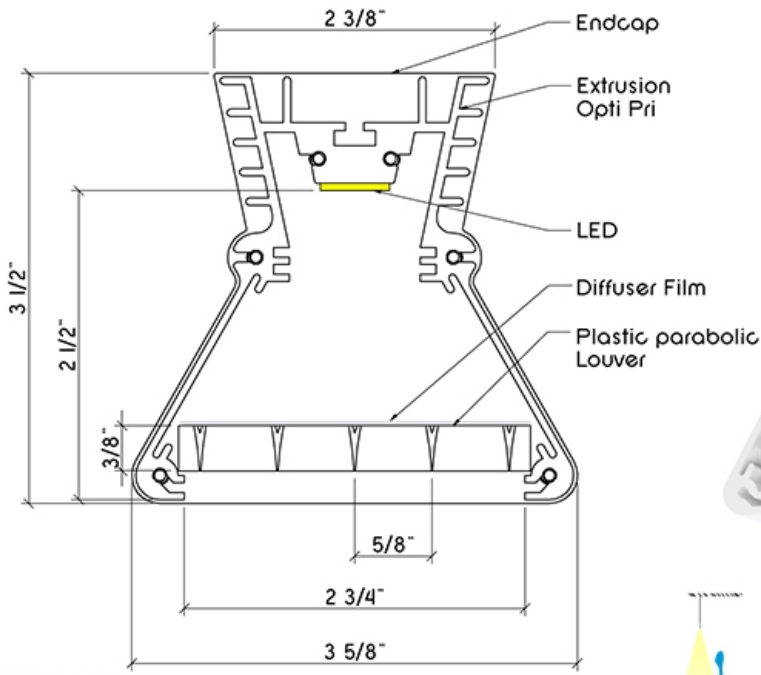
Light Shielding

Dd - Frosted diffuser Down No Shielding



Opti Pri Pendant

Opti Pri / Pendant



Light Shielding

PI - Parabolic louver with diffuse film



Driver boxes

archlit generates submittals for runs. size of boxes
TBD in documentation

