

archlit reserves the right to make changes without prior notice. (10.11.2019)

Surprise D Surface for Outdoors. In aluminum extrusion and acrylic diffuser (not allowing the LED dots to be seen). It is a 5/8" height fixture that can be attached to a J Box (by others) for outdoors with a plate to cover the splice space or can take a whip with (3) different lengths of BWG 18 wire for the splice to be done in a remote place. Dimmable and no dimmable versions. Drivers are remote up to 60 feet. Source IP65 Can be horizontal or vertical allowing designers to "draw" with light in the outdoors with segments

SuDSurOu

Surprise D Surface Outdoor

Output

30HO - 3000 K 610 lumens /f 10.2 w/f
 30MO - 3000 K 525 lumens /f 8.8 w/f
 30 - 3000 K 360 lumens /f 5.8 w/f
 40HO - 4200 K 660 lumens /f 10.2 w/f
 42MO - 4200 K 580 lumens /f 8.8 w/f
 42 - 4200 K 370 lumens /f 5.8 w/f
 62HO - 6200 K 720 lumens /f 10.2 w/f
 62MO - 6200 K 570 lumens /f 8.8 w/f
 62 - 6200 K 390 lumens /f 5.8 w/f

Segments

A - 1' module 1'-3/4"
 B - 2' module 1'-10 3/4"
 C - 3' module 2'-10 1/2"
 D - 4' module 3'-10 1/4"
 E - 5' module 4'-8"
 F - 6' module 5'-7"
 G - 7' module 6'-7 3/4"
 H - 8' module 7'-7 1/2"

Finish

WH - White
 BK - Black
 CU - Custom Color
 Specify RAL Color

Installation

Whip3 - Installation no J Box with whip 3'
 Whip6 - Installation no J Box with whip 6'
 Whip9 - Installation no J Box with whip 9'
 iplate - Plate for Jbox
 Prepared for standard outdoor canopy (by others) or with Blocking (by others) with whip to remote splice space (by others)

Dimming Options

0 - Non Dimmable 120v
 1 - Non Dimmable 277v
 2 - DIM TRIA 120v
 3 - DIM TRIAC 277v
 4 - Dimmable 0-10v (4wires, 120 or 277 v)

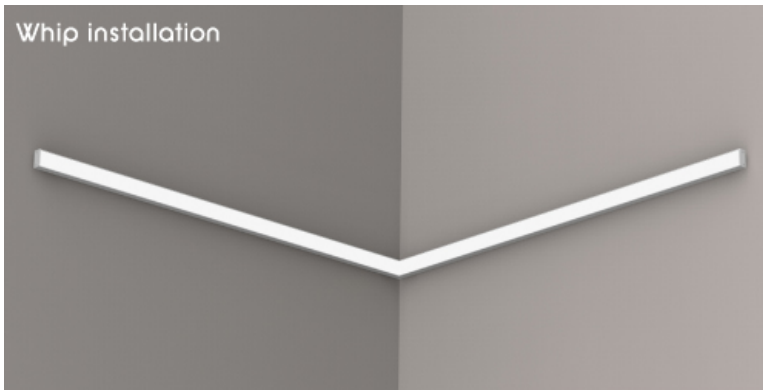
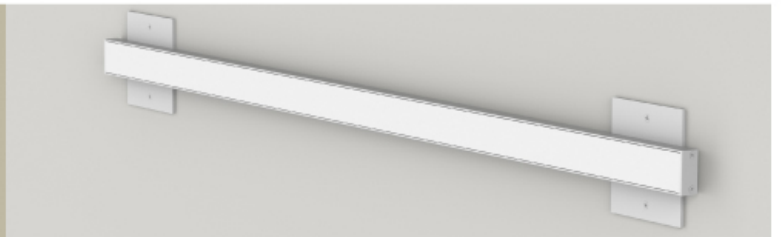
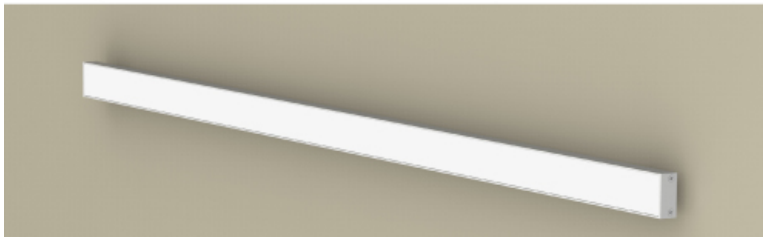
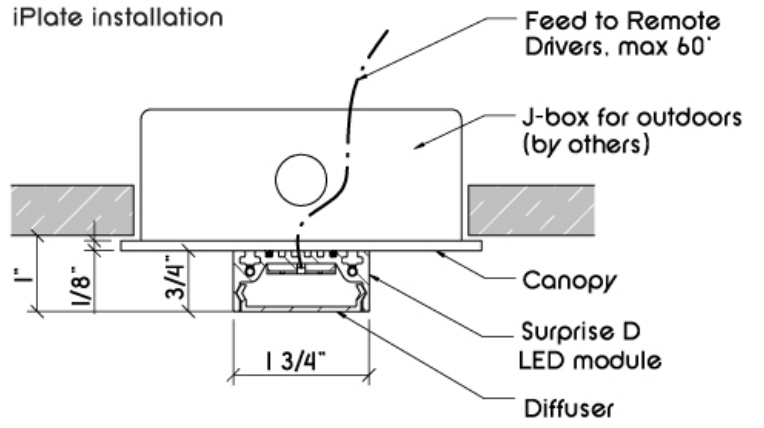
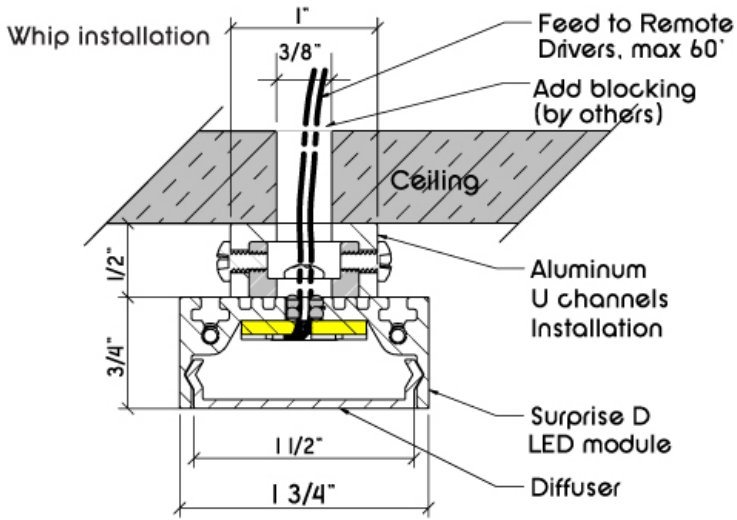
Notes:

Drivers are remote max 60'
 Source IP65
 Locate boxes in dry spaces or outdoor electrical boxes (by others)



Surprise D Surface Outdoors

Surprise / Outdoor



Surprise D Surface Outdoors

Surprise / Outdoor

Whip installation

