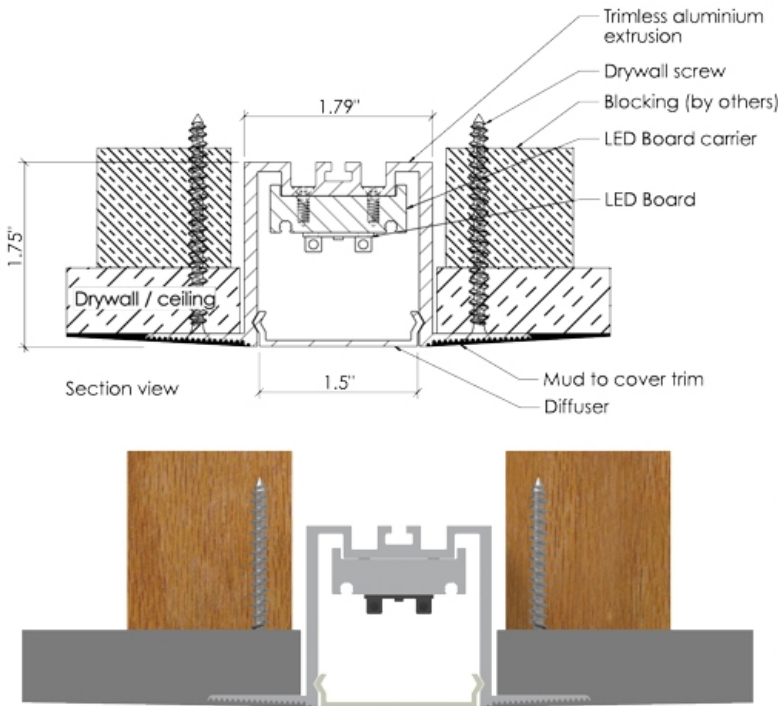


# Surprise Trimless Continuous

Surprise / Recessed



archlit reserves the right to make changes without prior notice. (04.22.2019)

Surprise Recessed Trimless Continuous incorporates to a drywall ceiling, with flanges at the sides of 1" (so mud do not crack over time). A continuous diffuser, that is field cuttable, snaps in allowing runs based on a max of 8' (max logical segments to ship and manipulate at any job site). Installation can be horizontal (ceiling) or vertical (walls). Special angles upon request. It can connect with Surprise Ceiling (joining a wall recessed with a surface mounted fixture of 1.75" x 1.75").

Different drivers will generate or an effect with the fixture of the same can be good illumination, decreasing the lighting fixtures in a space.

Dimmable and no dimmable versions

## SuRTsC

### Surprise Recessed Trimless Continuous

#### Lumen Output

- 3017 - 3000 K 1200 lumens / ft 12 w /ft
- 3014 - 3000 K 1000 lumens / ft 10 w /ft
- 3011 - 3000 K 780 lumens / ft 7.5 w /ft
- 3008 - 3000 K 560 lumens / ft 5.5w /ft
- 3005 - 3000 K 350 lumens / ft 3.1 w /ft
- 3517 - 3500 K 1200 lumens / ft 12 w /ft
- 3514 - 3500 K 1000 lumens / ft 10 w /ft
- 3511 - 3500 K 780 lumens / ft 7.5 w /ft
- 3508 - 3500 K 560 lumens / ft 5.5w /ft
- 3505 - 3500 K 350 lumens / ft 3.1 w /ft

WhTu - White tuning 2700K @ 1050 lumens/foot  
and 6500k @1200 lumens/foot 12.5 watt/foot

All Uplight versions with light will have a transparent diffuser  
Use of programmable drivers allow different outputs (lumen output  
and load) to fix color temperature versions

#### Finish

- WH - White
- BK - Black
- CU - Custom Color  
Specify RAL color

#### Dimming Options

- O - Non dimmable 120v
- 1 - non dimmable 277v
- 4 - 0-10 v dimmer (4 wires)



# Surprise Trimless Continuous

Surprise / Recessed

## Runs

A - 1' nominal module 12"

B - 2' nominal module 24"

C - 3' nominal 35"

D - 4' nominal module 46"

H - 8' nominal module

Total Run: (0 ft 0 in)

Runs are specified as a way to be able to get the proper dimension of length and communicate the qty of drivers to the factory.

The product will look continuous as diffuser covers modules

## Emergency

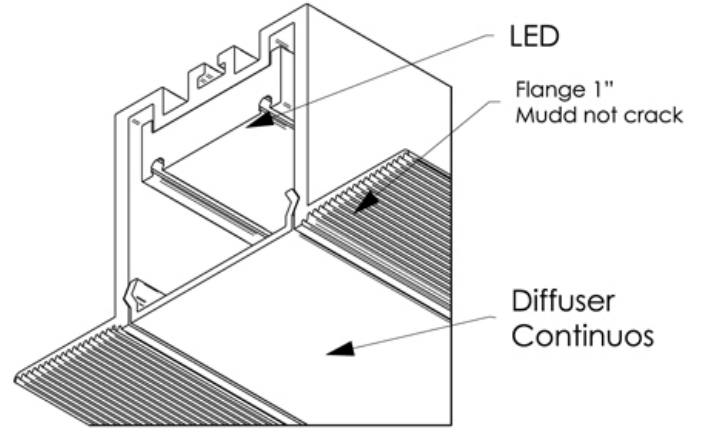
00 - No Emergency

EM - Emergency

## Notes:

Drivers are remote

CRI more than 90



## Diffuser Continuous

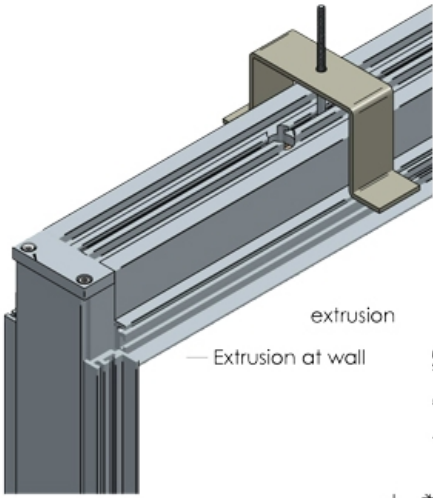
Deliver in runs of 8', field cuttable.

Can use low and high output in runs

Using as effect or also providing lighting to the space



## Surprise system with Surprise Dry (470 lumens/foot) and Surprise Recessed for General Lighting (1000 lumens/foot)

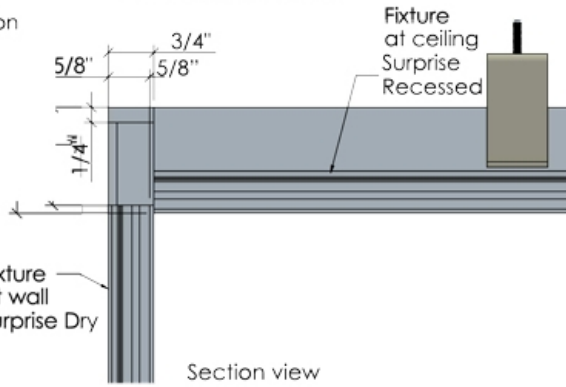


Isometric Top

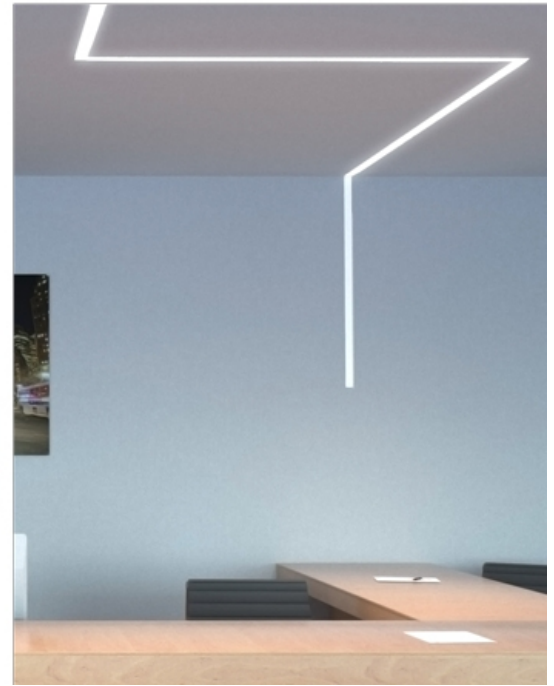
Lower output recommended for vertical applications; higher output recommended for ceiling applications-general lighting

Surprise recessed vertically (ceiling) and horizontally (walls); high output for general lighting - 3" deep - Consider joists.

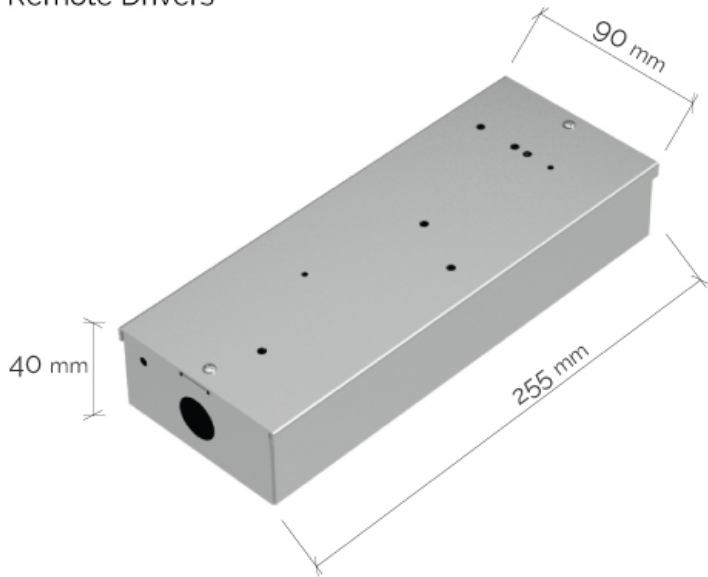
Surprise Dry vertically (ceiling) and horizontally (walls); lower output - 5/8" of drywall needed - Any configuration can be considered.



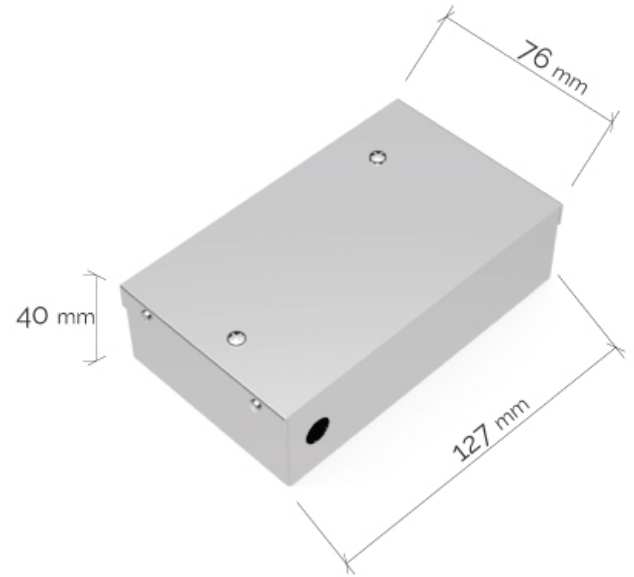
Section view



### Remote Drivers



Driver Box for Dimm 0-10v NTS



Driver Box Non Dimm and TRIAC drivers NTS

